

# SK 8 - Shield connection terminal block



3025163

<https://www.phoenixcontact.com/gb/products/3025163>

Please be informed that the data shown in this PDF document is generated from our online catalog. Please find the complete data in the user documentation. Our general terms of use for downloads are valid.

Shield connection clamp, for shield on busbars, contact resistance < 1 mΩ



## Your advantages

- Easy handling
- Spring-loaded, large-surface pressure plate
- Suitable for direct and busbar mounting
- Knurled screw
- As components, it is not possible to certify shield connections in accordance with the requirements of the directive and standards for electrical equipment in potentially explosive areas. As such, shield connection clamps can be used in the Ex area even without an appropriate approval or marking.

## Commercial data

Item number	3025163
Packing unit	10 pc
Minimum order quantity	10 pc
Sales key	BE7512
Product key	BE7512
GTIN	4017918130299
Weight per piece (including packing)	15.14 g
Weight per piece (excluding packing)	15.07 g
Customs tariff number	85369010
Country of origin	DE

# SK 8 - Shield connection terminal block

3025163

<https://www.phoenixcontact.com/gb/products/3025163>

## Technical data

### Product properties

Product type	Shield connection clamp
Pitch	12 mm
Number of connections	1
Number of rows	1

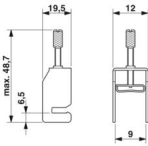
### Electrical properties

Maximum power dissipation for nominal condition	0 W
Contact resistance	< 0.001 $\Omega$

### Connection data

Connection method	Screw connection
Screw thread	M4
Tightening torque	0.6 ... 0.6 Nm
Connection in acc. with standard	IEC / EN

### Dimensions

Dimensional drawing	
Width	12 mm
Height	19.5 mm
Depth	48.7 mm
Pitch	12 mm

### External dimensions

Outside diameter	3 mm ... 8 mm
------------------	---------------

### Material specifications

Color	silver-colored
Material	Steel

### Cable/line

External cable diameter	3 mm ... 8 mm
-------------------------	---------------

### Standards and regulations

Connection in acc. with standard	IEC / EN
----------------------------------	----------

### Mounting

Mounting type	Neutral busbar
---------------	----------------

# SK 8 - Shield connection terminal block

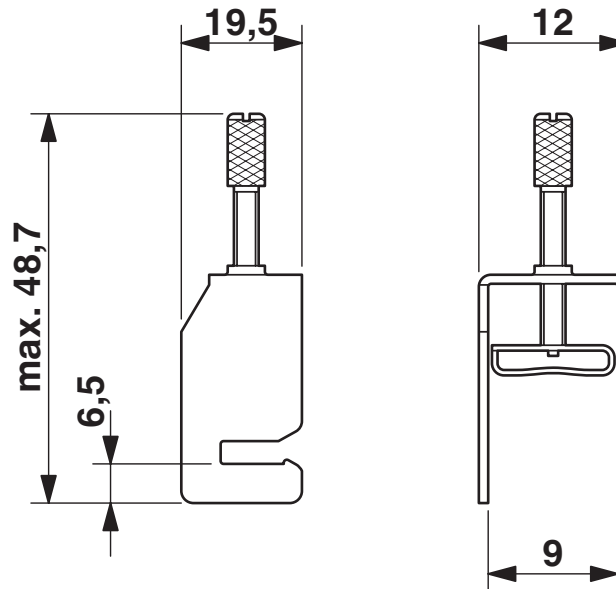
3025163

<https://www.phoenixcontact.com/gb/products/3025163>

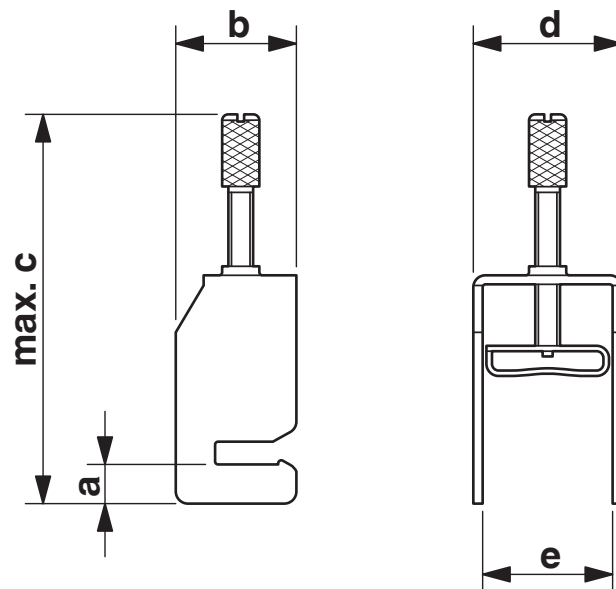


## Drawings

Dimensional drawing



Dimensional drawing

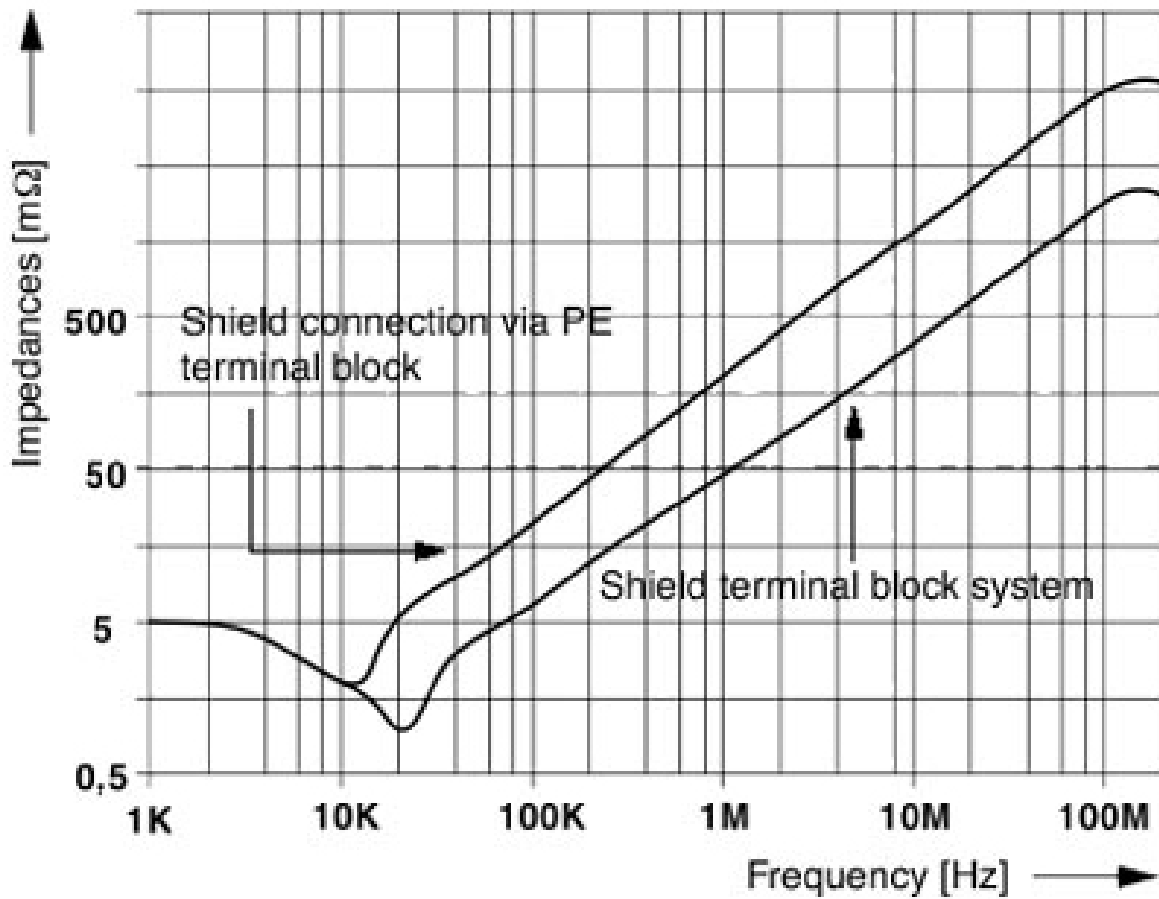


# SK 8 - Shield connection terminal block

3025163

<https://www.phoenixcontact.com/gb/products/3025163>

Diagram



# SK 8 - Shield connection terminal block



3025163

<https://www.phoenixcontact.com/gb/products/3025163>

## Classifications

### ECLASS

ECLASS-15.0	27250309
ECLASS-15.0	27250309

### ETIM

ETIM 9.0	EC002020
----------	----------

### UNSPSC

UNSPSC 21.0	39121400
-------------	----------

# SK 8 - Shield connection terminal block



3025163

<https://www.phoenixcontact.com/gb/products/3025163>

## Environmental product compliance

### EU RoHS

Fulfills EU RoHS substance requirements	Yes, No exemptions
---	--------------------

### China RoHS

Environment friendly use period (EFUP)	EFUP-E
	No hazardous substances above the limits

### EU REACH SVHC

REACH candidate substance (CAS No.)	No substance above 0.1 wt%
-------------------------------------	----------------------------

Phoenix Contact 2025 © - all rights reserved  
<https://www.phoenixcontact.com>

PHOENIX CONTACT Ltd  
Halesfield 13, Telford  
Shropshire, TF7 4PG  
01952 681700  
[info@phoenixcontact.co.uk](mailto:info@phoenixcontact.co.uk)