

# C-FCI 2,5/M3,5 - Fork-type cable lug

3240038

<https://www.phoenixcontact.com/gb/products/3240038>

Please be informed that the data shown in this PDF document is generated from our online catalog. Please find the complete data in the user documentation. Our general terms of use for downloads are valid.



Fork-type cable lug, blue, 1.5 - 2.5 mm<sup>2</sup>, M3,5

## Your advantages

- The fork-type cable lugs without plastic sleeve feature a hard-soldered neck. In conjunction with the CRIMPFOX-RC ... and CRIMPFOX-RCI ... pliers they can be used to achieve maximum conductor pull-out forces
- The insulated versions are halogen-free and feature "EASY ENTRY" technology

## Commercial data

Item number	3240038
Packing unit	100 pc
Minimum order quantity	100 pc
Sales key	BH3441
Product key	BH3441
GTIN	4046356451154
Weight per piece (including packing)	0.787 g
Weight per piece (excluding packing)	0.775 g
Customs tariff number	85369010
Country of origin	CN

# C-FCI 2,5/M3,5 - Fork-type cable lug

3240038

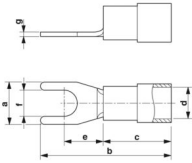
<https://www.phoenixcontact.com/gb/products/3240038>

## Technical data

### Product properties

Product type	Connector
Product property	With "Easy Entry" system
	Brazed
	PA-insulated

### Dimensions

Dimensional drawing	
Width	5.7 mm
Sleeve length	22 mm
Length of the insulating material sleeve	11 mm
Maximum stripping length	8 mm
Distance from the center to the insulating material sleeve	6.5 mm
Min. material thickness	0.8 mm
Inner dimensions of the insulating collar	4.5 mm

### Internal dimensions

Internal diameter	3.7 mm
-------------------	--------

### Material specifications

Color	blue (RAL 5015)
Material	Copper
Flammability rating according to UL 94	V2
Coating	tin-plated
Insulating material	PA
Components	halogen-free

### Mechanical properties

#### Technical data

Sleeve length	22 mm
---------------	-------

# C-FCI 2,5/M3,5 - Fork-type cable lug

3240038

<https://www.phoenixcontact.com/gb/products/3240038>



## Drawings

Dimensional drawing



# C-FCI 2,5/M3,5 - Fork-type cable lug



3240038

<https://www.phoenixcontact.com/gb/products/3240038>

## Classifications

### ECLASS

ECLASS-13.0	27400204
ECLASS-15.0	27400204

### ETIM

ETIM 9.0	EC001052
----------	----------

### UNSPSC

UNSPSC 21.0	27121700
-------------	----------

# C-FCI 2,5/M3,5 - Fork-type cable lug



3240038

<https://www.phoenixcontact.com/gb/products/3240038>

## Environmental product compliance

### EU RoHS

Fulfills EU RoHS substance requirements	Yes, No exemptions
---	--------------------

### China RoHS

Environment friendly use period (EFUP)	EFUP-E
	No hazardous substances above the limits

### EU REACH SVHC

REACH candidate substance (CAS No.)	No substance above 0.1 wt%
-------------------------------------	----------------------------

Phoenix Contact 2025 © - all rights reserved  
<https://www.phoenixcontact.com>

PHOENIX CONTACT Ltd  
Halesfield 13, Telford  
Shropshire, TF7 4PG  
01952 681700  
[info@phoenixcontact.co.uk](mailto:info@phoenixcontact.co.uk)