

G-INS-M32-M68N-NNES-S - Cable gland



1411166

<https://www.phoenixcontact.com/gb/products/1411166>

Please be informed that the data shown in this PDF document is generated from our online catalog. Please find the complete data in the user documentation. Our general terms of use for downloads are valid.



Cable gland, material for screw connection: Brass, nickel-plated, application: Standard, external cable diameter 15 mm ... 21 mm, shielding: no, connecting thread: M32 x 1.5, color: silver-colored, with O-ring

Commercial data

Item number	1411166
Packing unit	5 pc
Minimum order quantity	5 pc
Sales key	AF7DAX
Product key	AF7DAX
GTIN	4046356923002
Weight per piece (including packing)	86.54 g
Weight per piece (excluding packing)	85.9 g
Customs tariff number	74198090
Country of origin	TR

G-INS-M32-M68N-NNES-S - Cable gland

1411166

<https://www.phoenixcontact.com/gb/products/1411166>

Technical data

Mounting

Assembly note	1) Mount screw connection support in the housing using the correct torque 2) Insert cable 3) Tighten union nut using the correct torque
---------------	---

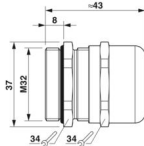
Product properties

Product type	Cable screw gland
Application	Standard
No. of conductors	1
Manufacturer	BIMED
Manufacturer Designation	BMBC-E4
Shielded	no
Execution of the strain relief	A

Characteristics

Category of shock impact	6
Design, Strain relief	A

Dimensions

Dimensional drawing	
Length	43 mm
Length of the connecting thread	8 mm
Hole diameter	32.1 mm ... 32.3 mm
Wrench size, union nut	34 mm
Wrench size, support	34 mm
Hexagon angular dimension	37 mm
Thread type connection side	M32 x 1.5
Thread pitch	1.5 mm

Connection data

Tightening torque	15 Nm \pm 1 Nm (Cap nut)
	6 Nm (Support sleeve)

Material specifications

Color	brass color
Material Compression ring	PA 6
Seal material O-ring	Perbunan
Seal material Cable seal	CR

G-INS-M32-M68N-NNES-S - Cable gland



1411166

<https://www.phoenixcontact.com/gb/products/1411166>

Material for screw connection	Brass, nickel-plated
-------------------------------	----------------------

Cable/line

External cable diameter Cable 1	15 mm ... 21 mm
External cable diameter	17 mm ... 21 mm (for UL 514 B)
Halogen-free	no

Environmental and real-life conditions

Ambient conditions

Degree of protection	IP66
	IP68 (5 bar, 30 min.)
	IP69 (DIN EN 60529 / IEC 60529)
Enclosure rating (NEMA)	4X
Ambient temperature (operation)	-40 °C ... 100 °C (static)

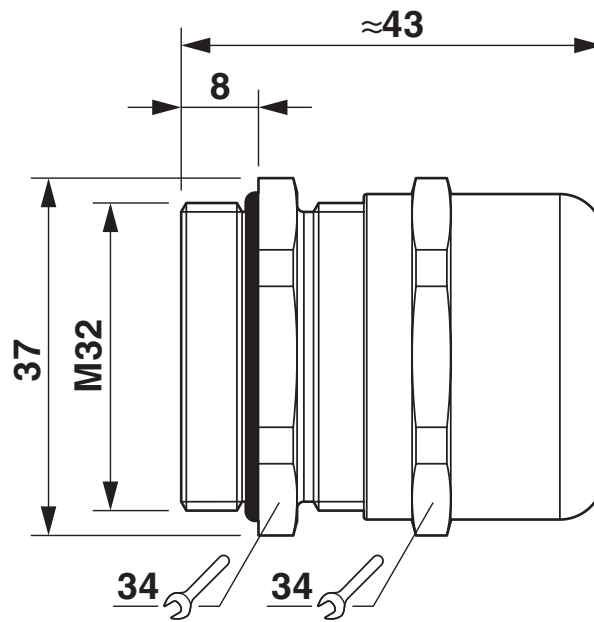
G-INS-M32-M68N-NNES-S - Cable gland

1411166

<https://www.phoenixcontact.com/gb/products/1411166>

Drawings

Dimensional drawing



Dimensional drawing

G-INS-M32-M68N-NNES-S - Cable gland



1411166

<https://www.phoenixcontact.com/gb/products/1411166>

Approvals

🔗 To download certificates, visit the product detail page: <https://www.phoenixcontact.com/gb/products/1411166>

DNV

Approval ID: TAE00003WY



UL Listed

Approval ID: E199260



cUL Listed

Approval ID: E199260

G-INS-M32-M68N-NNES-S - Cable gland



1411166

<https://www.phoenixcontact.com/gb/products/1411166>

Classifications

ECLASS

ECLASS-13.0	27140801
ECLASS-15.0	27140801

ETIM

ETIM 9.0	EC000441
----------	----------

UNSPSC

UNSPSC 21.0	39121300
-------------	----------

1411166

<https://www.phoenixcontact.com/gb/products/1411166>

Environmental product compliance

EU RoHS

Fulfills EU RoHS substance requirements	Yes
Exemption	6(c)

China RoHS

Environment friendly use period (EFUP)	EFUP-50
	An article-related China RoHS declaration table can be found in the download area for the respective article under "Manufacturer declaration". For all articles with EFUP-E, no China RoHS declaration table issued and required.

EU REACH SVHC

REACH candidate substance (CAS No.)	Lead(CAS: 7439-92-1)
SCIP	1d82da5d-1770-4337-8a92-619016fc6f0a

Phoenix Contact 2025 © - all rights reserved

<https://www.phoenixcontact.com>

PHOENIX CONTACT Ltd
Halesfield 13, Telford
Shropshire, TF7 4PG
01952 681700
info@phoenixcontact.co.uk