

# MR11 - Drop indicator relays

1131094

<https://www.phoenixcontact.com/gb/products/1131094>

Please be informed that the data shown in this PDF document is generated from our online catalog. Please find the complete data in the user documentation. Our general terms of use for downloads are valid.



The MR 11 annunciator relay is a semi-automatic relay. Apart from the coil excitation voltage, no other auxiliary voltage is required for the visual display. This is particularly important in voltage monitoring applications

## Your advantages

- Time-saving startup, thanks to preconfigured messages
- Reliable and durable operation, thanks to the robust mechanical construction
- Individual pre-assembled contact assignments for flexible applications

## Commercial data

|                                      |                                |
|--------------------------------------|--------------------------------|
| Item number                          | 1131094                        |
| Packing unit                         | 1 pc                           |
| Minimum order quantity               | 1 pc                           |
| Note                                 | Made to order (non-returnable) |
| Sales key                            | DTMCAA                         |
| Product key                          | DTMCAA                         |
| Weight per piece (including packing) | 256.3 g                        |
| Weight per piece (excluding packing) | 261.3 g                        |
| Customs tariff number                | 85364900                       |
| Country of origin                    | DE                             |

# MR11 - Drop indicator relays

1131094

<https://www.phoenixcontact.com/gb/products/1131094>

## Technical data

### Notes

|                     |   |
|---------------------|---|
| Order information:  | An overview of the optional circuit diagrams can be found on the "Download" tab |
| Order information:  | A template for transferring marking text is available on the "Downloads" tab    |
| Note on application |   |
| Note on application | Only for industrial use   |

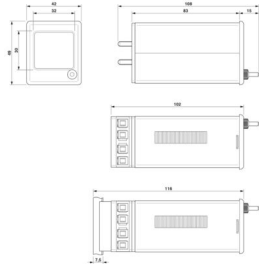
### Product properties

|                 |   |
|-----------------|---|
| Product type    | Relay Module  |
| Scope of supply | The wall-mounting design is delivered with connector plate.   |
|                 | The installation design is delivered with mounting frame, tensioning strap, and touch protection.   |
|                 | The combi design is delivered without a housing. Installation in an instrument housing is necessary for operation (see Accessories area). |

### Data management status

|                              |            |
|------------------------------|------------|
| Date of last data management | 21.03.2025 |
|------------------------------|------------|

### Dimensions

|                     |  |
|---------------------|--|
| Dimensional drawing |  |
| Width               | 39 mm  |
| Height              | 53 mm  |
| Depth               | 126 mm   |

### Environmental and real-life conditions

#### Ambient conditions

|                                  |                                    |
|----------------------------------|------------------------------------|
| Degree of protection             | IP40 (Connections IP00 (EN 60529)) |
| Ambient temperature (operation)  | -5 °C ... 40 °C                    |
| Permissible humidity (operation) | 5 % ... 95 %                       |

### Mounting

|               |                   |
|---------------|-------------------|
| Mounting type | DIN rail mounting |
|               | Installation      |

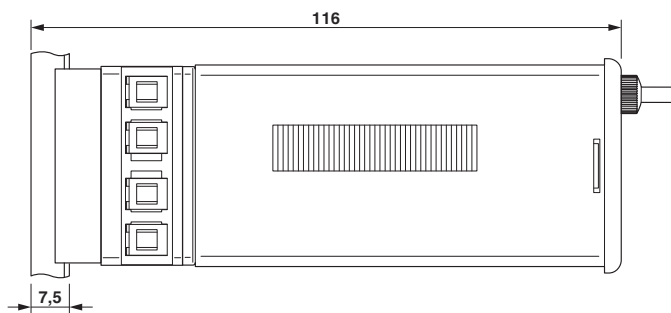
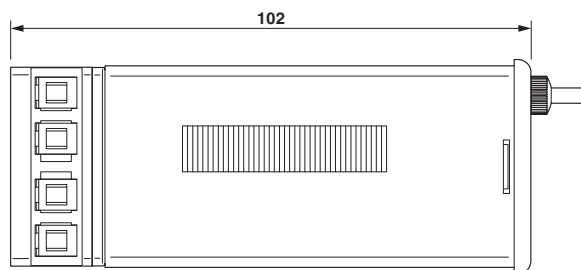
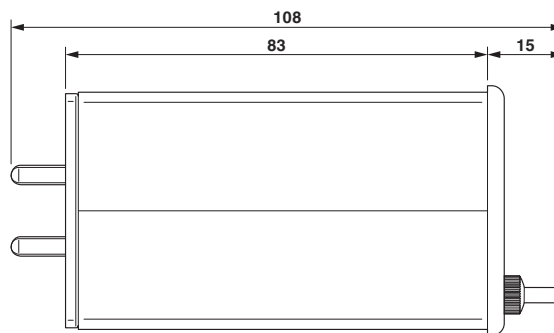
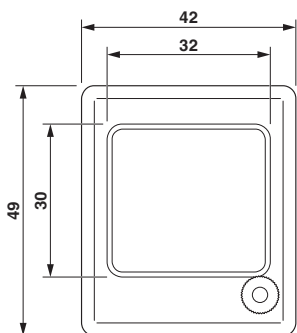
# MR11 - Drop indicator relays

1131094

<https://www.phoenixcontact.com/gb/products/1131094>

## Drawings

Dimensional drawing



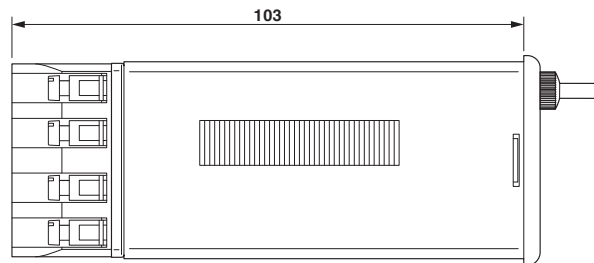
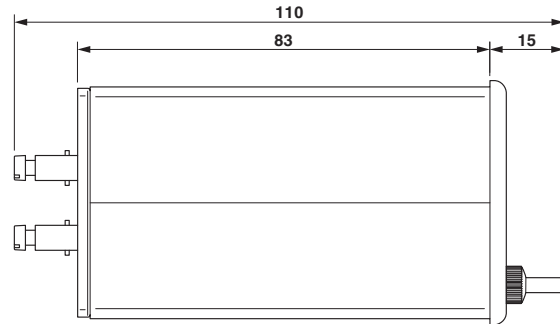
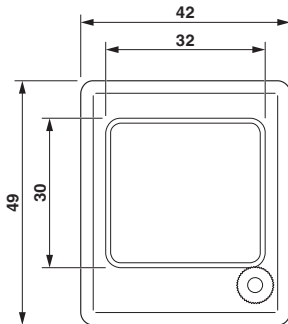
With base and DIN rail fixing

# MR11 - Drop indicator relays

1131094

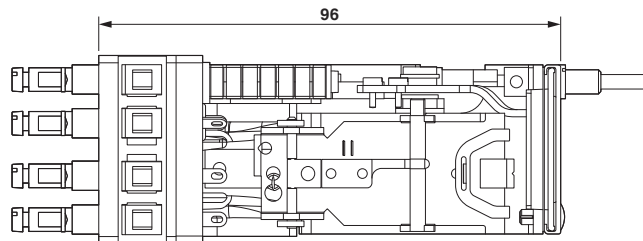
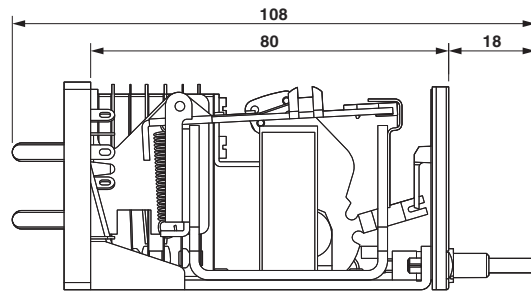
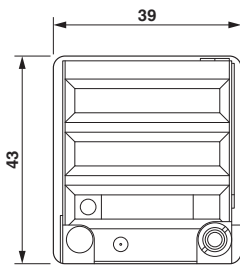
<https://www.phoenixcontact.com/gb/products/1131094>

Dimensional drawing



With shock protection

Dimensional drawing



With base for installation in a combi-housing

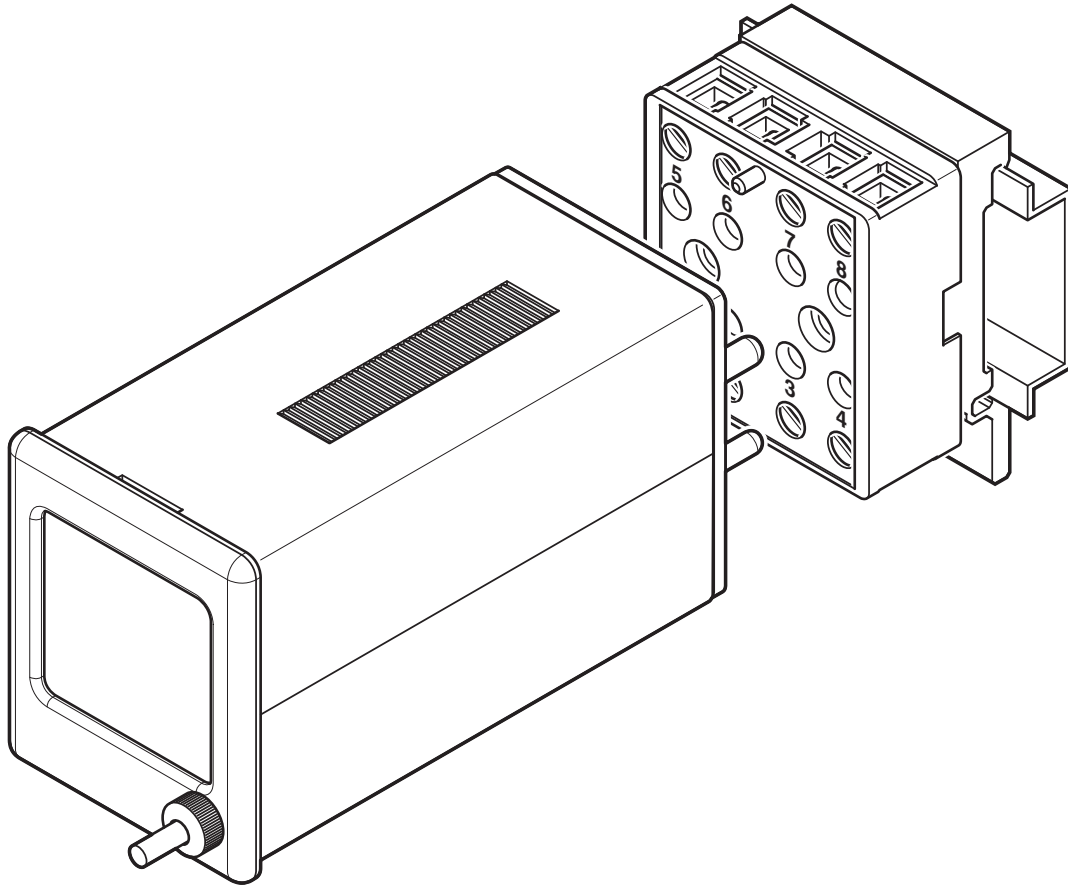
# MR11 - Drop indicator relays

1131094

<https://www.phoenixcontact.com/gb/products/1131094>



Exploded view



With base and DIN rail fixing

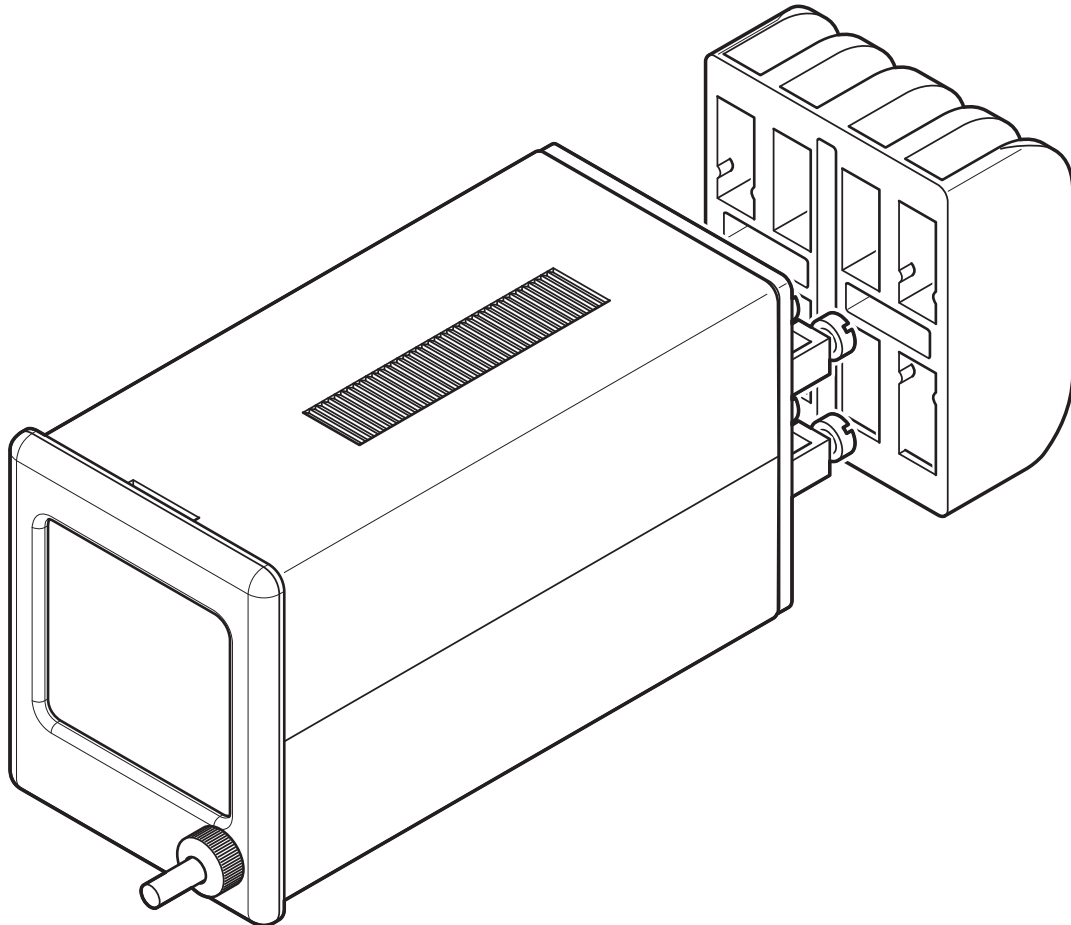
# MR11 - Drop indicator relays

1131094

<https://www.phoenixcontact.com/gb/products/1131094>



Exploded view



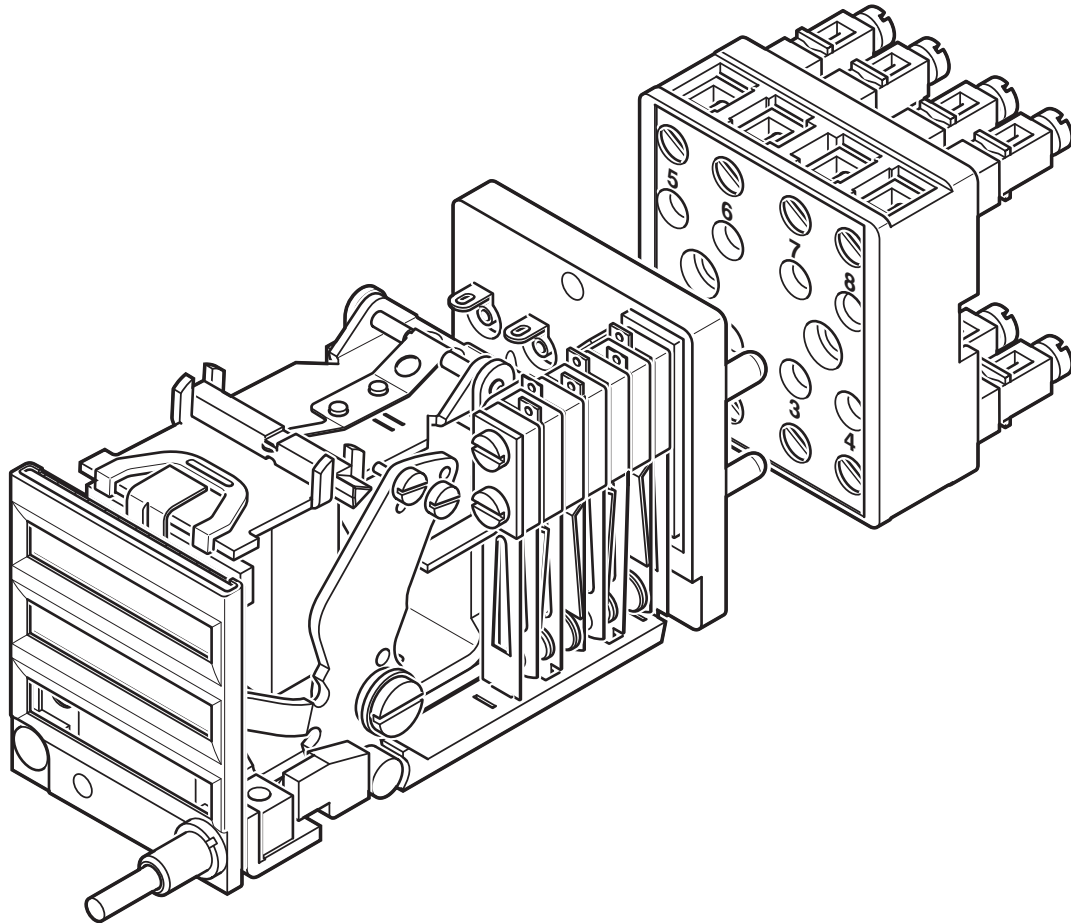
With shock protection

# MR11 - Drop indicator relays

1131094

<https://www.phoenixcontact.com/gb/products/1131094>

Exploded view



With base for installation in a combi-housing

# MR11 - Drop indicator relays



1131094

<https://www.phoenixcontact.com/gb/products/1131094>

## Classifications

### ECLASS

|             |          |
|-------------|----------|
| ECLASS-13.0 | 27371601 |
| ECLASS-15.0 | 27371601 |

### ETIM

|          |          |
|----------|----------|
| ETIM 9.0 | EC001437 |
|----------|----------|

### UNSPSC

|             |          |
|-------------|----------|
| UNSPSC 21.0 | 39122300 |
|-------------|----------|

# MR11 - Drop indicator relays



1131094

<https://www.phoenixcontact.com/gb/products/1131094>

## Environmental product compliance

### China RoHS

|  |   |
|--|---|
| Environment friendly use period (EFUP) | EFUP-25   |
|  | An article-related China RoHS declaration table can be found in the download area for the respective article under "Manufacturer declaration". For all articles with EFUP-E, no China RoHS declaration table issued and required. |

### EU REACH SVHC

|                                     |                            |
|-------------------------------------|----------------------------|
| REACH candidate substance (CAS No.) | No substance above 0.1 wt% |
|-------------------------------------|----------------------------|

Phoenix Contact 2025 © - all rights reserved  
<https://www.phoenixcontact.com>

PHOENIX CONTACT Ltd  
Halesfield 13, Telford  
Shropshire, TF7 4PG  
01952 681700  
[info@phoenixcontact.co.uk](mailto:info@phoenixcontact.co.uk)