

NEARFI D ETH B - Inductive coupler



1234232

<https://www.phoenixcontact.com/gb/products/1234232>

Please be informed that the data shown in this PDF document is generated from our online catalog. Please find the complete data in the user documentation. Our general terms of use for downloads are valid.



NearFi base, contactless real-time Ethernet coupler, 100 Mbps, range ≤ 40 mm, M12 screw connection, IP65, can be combined with NEARFI D ETH R. Incompatible with NEARFI 2000 (new)

Product description

With the robust NEARFI-D... NearFi couplers, you can transmit real-time Ethernet data (100 Mbps, full duplex) without contact across a distance in the centimeter range. Furthermore, the specially developed NearFi technology enables latency-free and protocol-independent Ethernet communication. At the same time, the limited wireless range of just a few centimeters also ensures security and permits parallel applications in the tightest of spaces. You can therefore replace wear-sensitive and maintenance-intensive connections and reduce downtimes in your systems.

Your advantages

- Contactless - and therefore no wear and no maintenance
- Protocol-independent, latency-free Ethernet real-time communication with 100 Mbps (full duplex)
- All-round visible diagnostics with light ring on the housing
- High degree of mounting freedom with flexible proximity options
- Plug and Play - as easy as a plug
- Degree of protection IP65

Commercial data

Item number	1234232
Packing unit	1 pc
Minimum order quantity	1 pc
Sales key	DNC693
Product key	DNC693
GTIN	4063151336271
Weight per piece (including packing)	525.5 g
Weight per piece (excluding packing)	480 g
Customs tariff number	85176200
Country of origin	DE

NEARFI D ETH B - Inductive coupler



1234232

<https://www.phoenixcontact.com/gb/products/1234232>

Technical data

Notes

Note on application

Note on application	Only for industrial use
---------------------	-------------------------

Product properties

Product type	Inductive coupler
Product family	NearFi
Application	Ethernet
MTTF	239 Years (SN 29500 standard, temperature 25°C, operating cycle 21%) 155 Years (SN 29500 standard, temperature 40°C, operating cycle 34.25%) 81 Years (SN 29500 standard, temperature 40°C, operating cycle 100%)

Insulation characteristics

Overvoltage category	II
Pollution degree	2

Electrical properties

Maximum power dissipation for nominal condition	4.68 W
---	--------

Supply

Supply voltage range	19 V DC ... 30 V DC
Typical current consumption	≤ 195 mA (at 24 V DC, at 25 °C)
Inrush current	≤ 0.25 A (20 ms at 24 V DC, without remote coupler)
Protective circuit	Transient protection, polarity protection

Connection data

Supply

Connection method	M12 male, A-coded
-------------------	-------------------

Interfaces

Data: Ethernet interface, 100Base-T(X) in accordance with IEEE 802.3

Transmission speed	100 Mbps
Connection method	M12 female, D-coded
Note on the connection method	Auto negotiation and autocrossing, fast startup (FSU, <500 ms) Typical bit error rate ≤10 ⁻¹²
No. of channels	1
Transmission length	100 m (shielded twisted pair)
Transmission medium	Copper
Protocols supported	Protocol transparent: PROFINET, PROFINET IRT, PROFI-safe,

NEARFI D ETH B - Inductive coupler



1234232

<https://www.phoenixcontact.com/gb/products/1234232>

	EtherCAT®, Modbus/TCP, Powerlink, TSN, etc.
--	---

Inductive

Switch-on time	< 450 ms (ETH Full Duplex operating mode)
Range	min. 0 mm
	≤ 20 mm (at 65°C)
	≤ 40 mm (at 25 °C)
Center offset	± 20 mm
Wireless modules that can be connected	1 (Remote coupler)

Wireless

Wireless modules that can be connected	1 (Remote coupler)
Frequency	60 GHz
Frequency range	57 GHz ... 64 GHz (Data transmission)
Transmission power	< 10 mW (EIRP)
Delay time	≤ 1 µs (typical)

Dimensions

Dimensional drawing	
Width	80 mm
Height	86 mm
Depth	39 mm

Material specifications

Color (Housing)	black (RAL 9005)
Material (Enclosure)	PBT
	Die-cast zinc
Flammability rating according to UL 94	V0

Cable/line

Other resistance	Resistant to welding splashes
------------------	-------------------------------

Mechanical tests

Vibration resistance in accordance with EN 60068-2-6/IEC 60068-2-6	: 5 g per spatial direction, 10 Hz ... 150 Hz, amplitude ±0.34 mm
Shock in accordance with EN 60068-2-27/IEC 60068-2-27	: 30 g, 11 ms duration, half-sine shock pulse, three shocks per spatial direction
Continuous shock in accordance with EN 60068-2-27/IEC 60068-2-27	: 10 g, 16 ms duration, half-sine shock pulse, 1,000 shocks per spatial direction

Environmental and real-life conditions

Ambient conditions

Degree of protection	IP65 (Manufacturer's declaration)
Impact strength	IK06
Ambient temperature (operation)	-20 °C ... 65 °C (observe derating)
Ambient temperature (storage/transport)	-40 °C ... 85 °C
Altitude	2000 m
Permissible humidity (operation)	10 % ... 95 %
Permissible humidity (storage/transport)	10 % ... 95 %
Air pressure (operation)	80 kPa ... 108 kPa (up to 2000 m above sea level)
Air pressure (storage/transport)	66 kPa ... 108 kPa (up to 3500 m above sea level)

Approvals

CE

Certificate	CE-compliant
-------------	--------------

Wireless approval, Europe

Note	RED 2014/53/EU
------	----------------

UL, USA

Identification	UL 61010 Listed
	UL 61010-2-201, 2nd Edition
	UL 61010-1, 3rd Edition
Certificate	E238705

UL, Canada

Identification	cUL 61010 Listed
	CSA C22.2 NO. 61010-2-201:18, 2nd Edition
	CSA C22.2 NO. 61010-1, 3rd Edition
Certificate	E238705

Wireless approval USA, FCC

Certificate	YG3DETHB
-------------	----------

Wireless approval Canada, IC

Certificate	4720B-DETHB
-------------	-------------

Wireless approval Japan, MIC

Identification	006-001056
----------------	------------

KC approval for South Korea

Certificate	R-R-PCK-1234232
-------------	-----------------

CC-Link IE TSN

Identification	Class A
----------------	---------

NEARFI D ETH B - Inductive coupler



1234232

<https://www.phoenixcontact.com/gb/products/1234232>

EMC data

Electromagnetic compatibility	Conformance with EMC Directive 2014/30/EU
Electrostatic discharge	
Standards/regulations	EN 61000-4-2
Electrostatic discharge	
Contact discharge	± 4 kV (Test Level 2)
Discharge in air	± 8 kV (Test Level 3)
Comments	Criterion B
Electromagnetic HF field	
Standards/regulations	EN 61000-4-3
Electromagnetic HF field	
Frequency range	80 MHz ... 1 GHz (Test Level 3)
Field intensity	10 V/m
Comments	Criterion A
Fast transients (burst)	
Standards/regulations	EN 61000-4-4
Fast transients (burst)	
Input	± 2 kV (Test Level 3 - asymmetrical)
Output	± 2 kV (Test Level 3 - asymmetrical)
Signal	± 2 kV (Test Level 3 - asymmetrical)
Comments	Criterion B
Surge current load (surge)	
Standards/regulations	EN 61000-4-5
Surge current load (surge)	
Input	± 0.5 kV (Test Level 1 - symmetrical) ± 1 kV (Test Level 2 - asymmetrical)
Output	± 1 kV (Test Level 2 - asymmetrical)
Signal	± 1 kV (Test Level 2 - asymmetrical)
Comments	Criterion B
Conducted interference	
Standards/regulations	EN 61000-4-6
Conducted interference	
Frequency range	0.15 MHz ... 80 MHz (Test Level 3 - asymmetrical)
Comments	Criterion A
Voltage	10 V (80% amplitude modulation with 1 kHz)
Emitted interference	
Standards/regulations	EN 55016-2-3

NEARFI D ETH B - Inductive coupler



1234232

<https://www.phoenixcontact.com/gb/products/1234232>

Comments	Class A, industrial applications
----------	----------------------------------

Criteria

Criterion A	Normal operating behavior within the specified limits.
Criterion B	Temporary impairment to operational behavior that is corrected by the device itself.

Standards and regulations

Free from substances that could impair the application of coating	VDMA 24364:2018-05
Other resistance	Resistant to welding splashes
Standards/regulations	EN 60204-1 (PELV)
Standard designation	Protective extra-low voltage

Mounting

Mounting type	Panel mounting
Assembly note	Observe derating
Mounting position	any

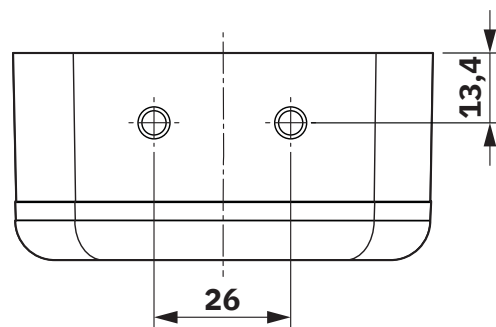
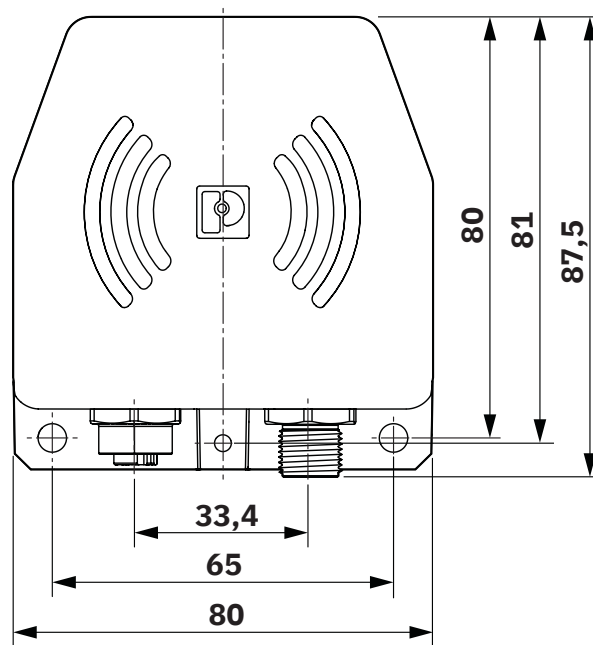
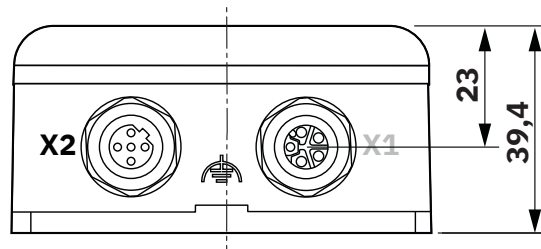
NEARFI D ETH B - Inductive coupler

1234232

<https://www.phoenixcontact.com/gb/products/1234232>

Drawings

Dimensional drawing



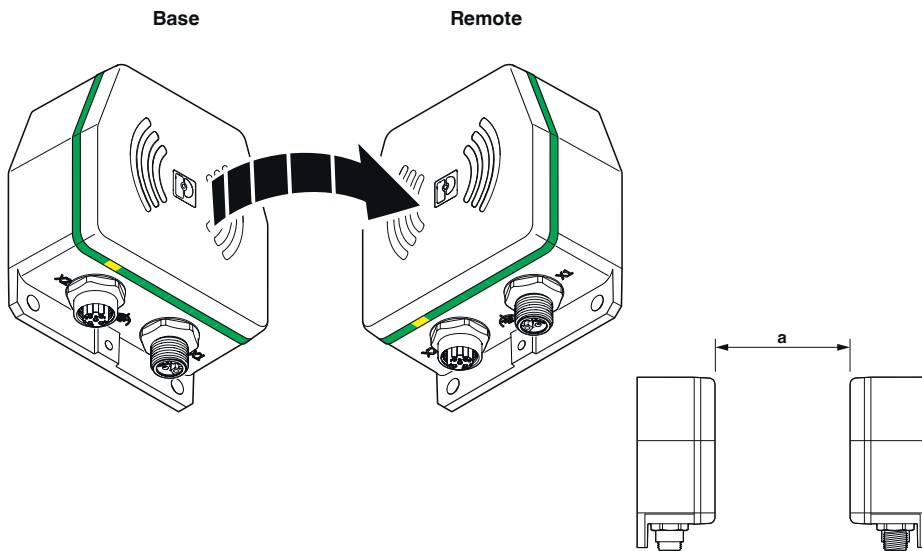
Dimensional drawing

NEARFI D ETH B - Inductive coupler

1234232

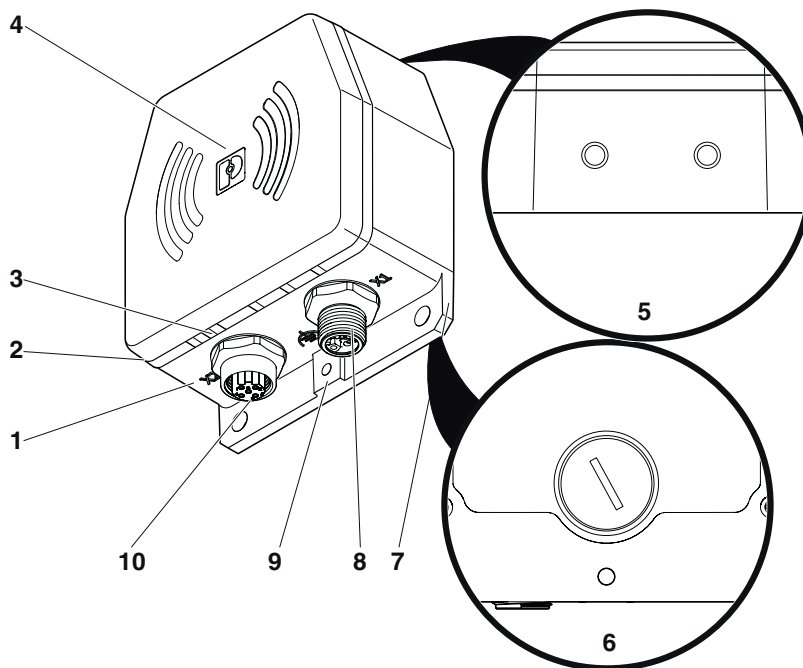
<https://www.phoenixcontact.com/gb/products/1234232>

Schematic diagram



Method of operation

Schematic diagram



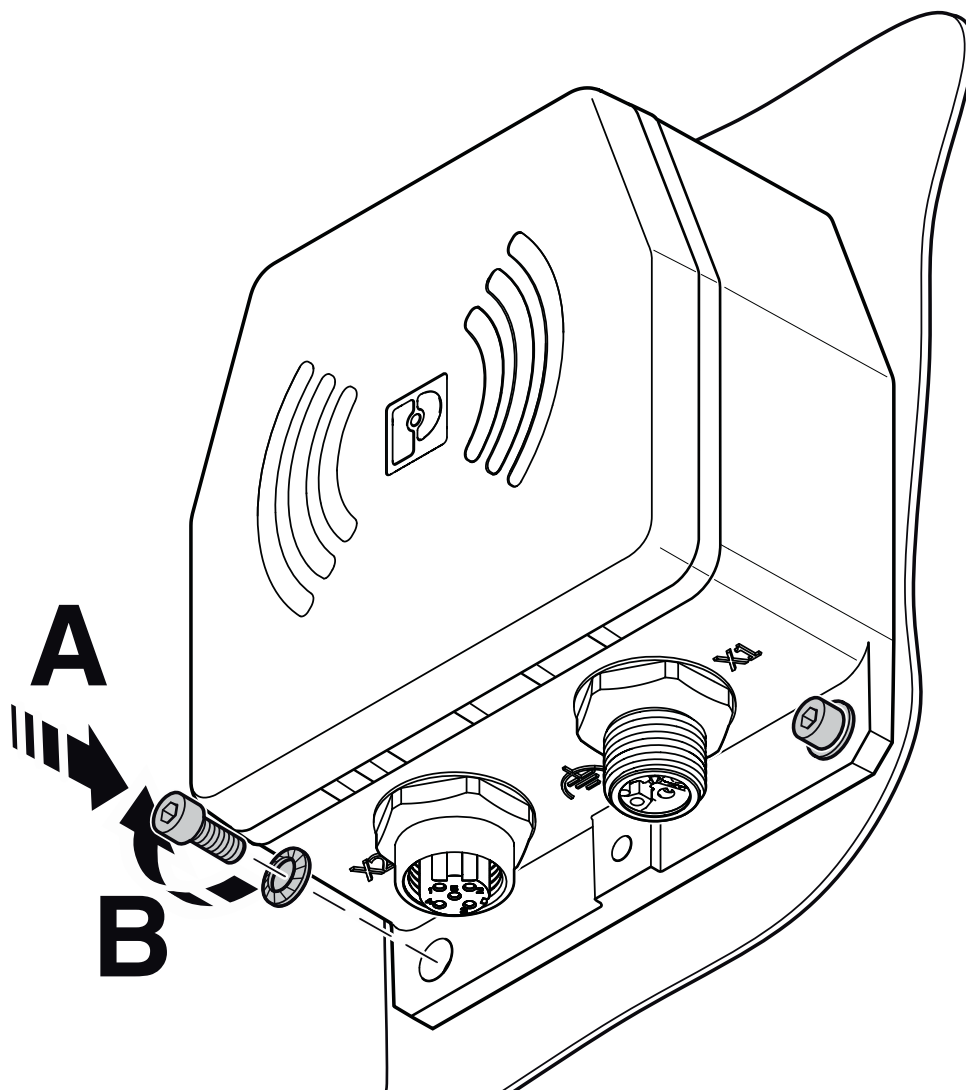
Function elements

NEARFI D ETH B - Inductive coupler

1234232

<https://www.phoenixcontact.com/gb/products/1234232>

Schematic diagram



Mounting with two screws

NEARFI D ETH B - Inductive coupler

1234232

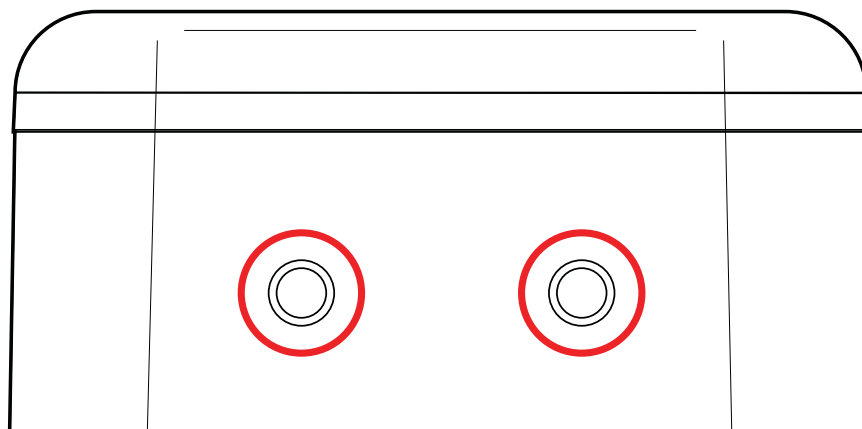
<https://www.phoenixcontact.com/gb/products/1234232>

Schematic diagram



Mounting with four screws

Schematic diagram



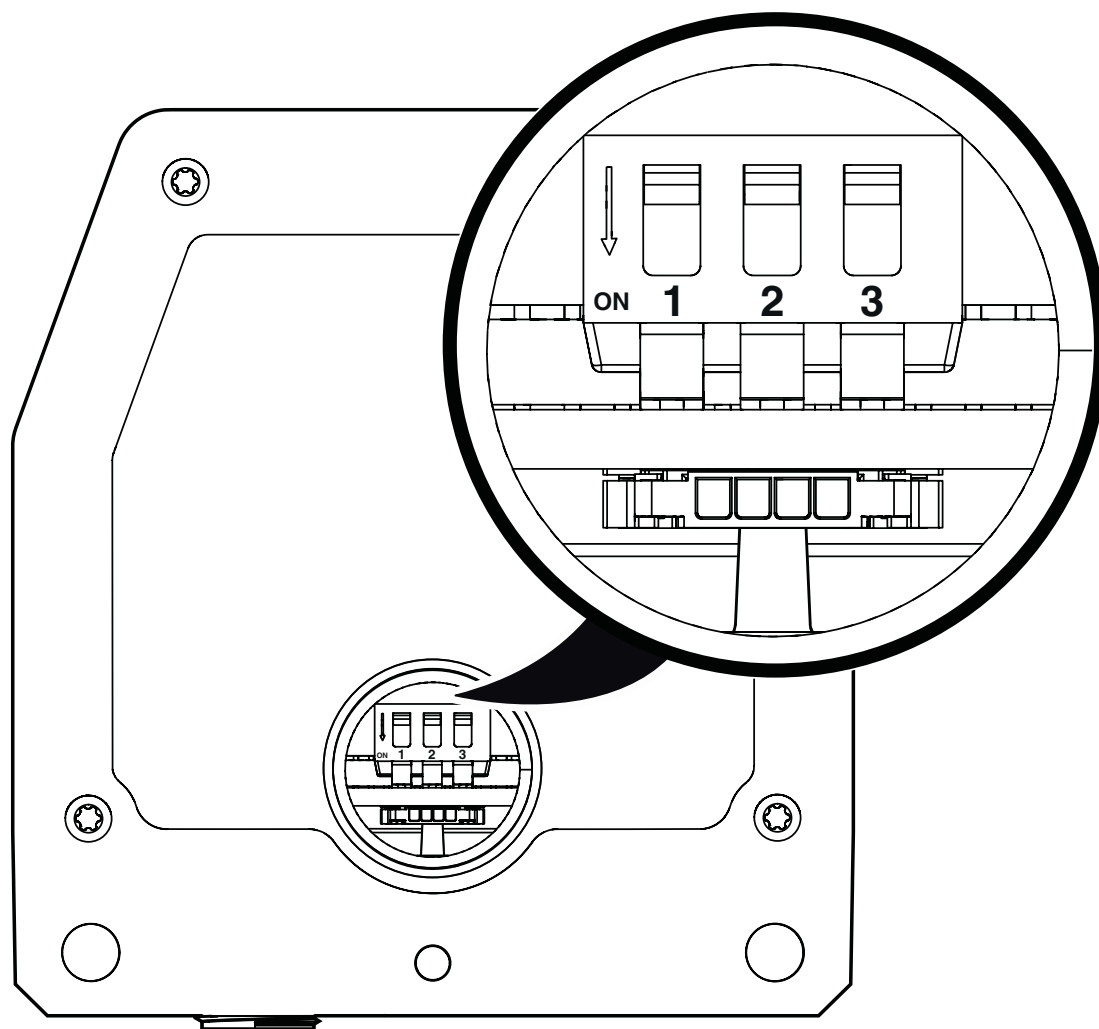
Mounting option

NEARFI D ETH B - Inductive coupler

1234232

<https://www.phoenixcontact.com/gb/products/1234232>

Schematic diagram



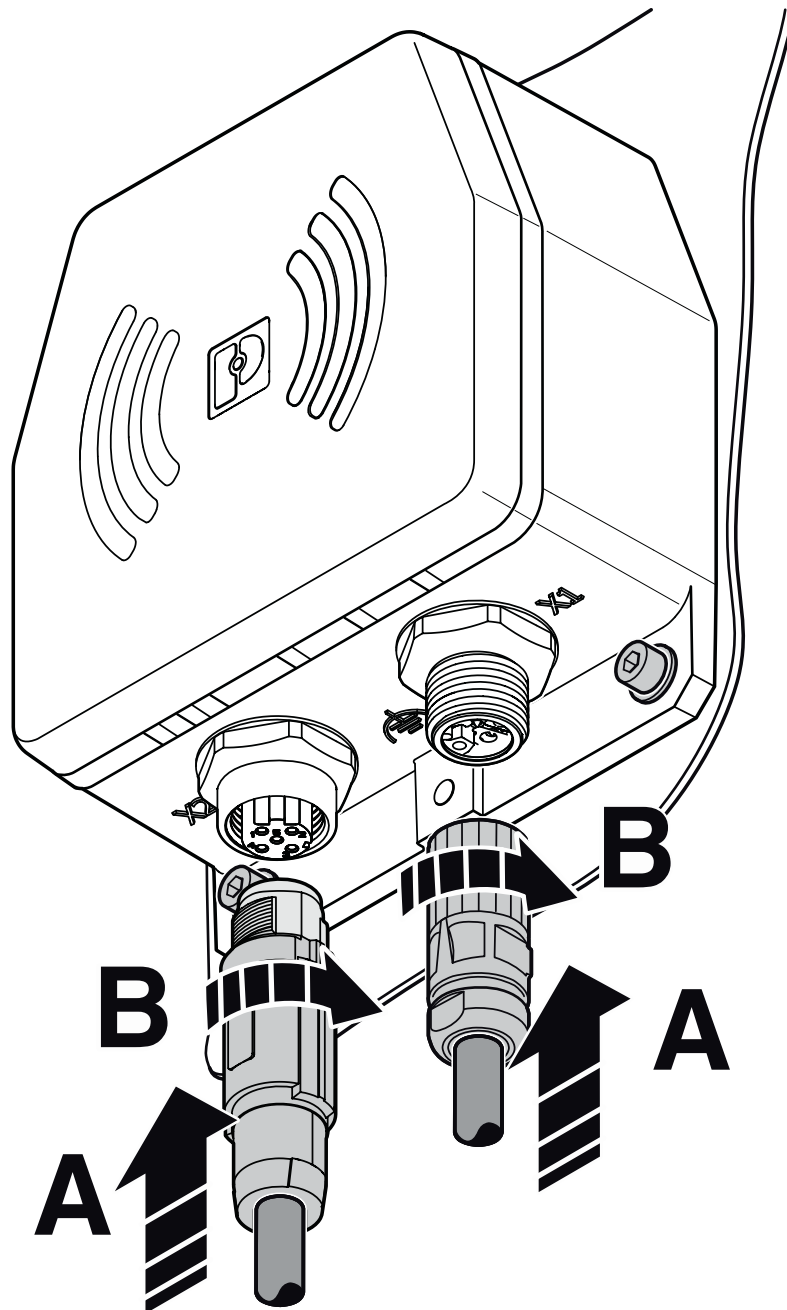
DIP switches

NEARFI D ETH B - Inductive coupler

1234232

<https://www.phoenixcontact.com/gb/products/1234232>

Schematic diagram



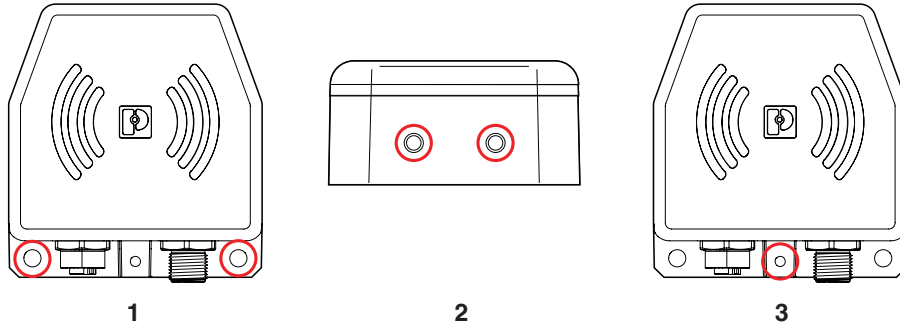
Connecting the cables

NEARFI D ETH B - Inductive coupler

1234232

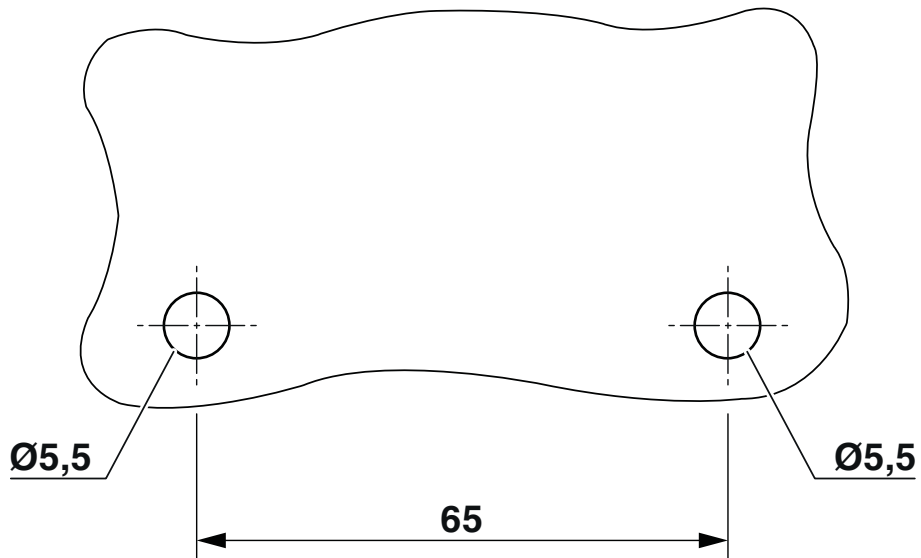
<https://www.phoenixcontact.com/gb/products/1234232>

Schematic diagram



Options for functional grounding

Drilling plan/solder pad geometry



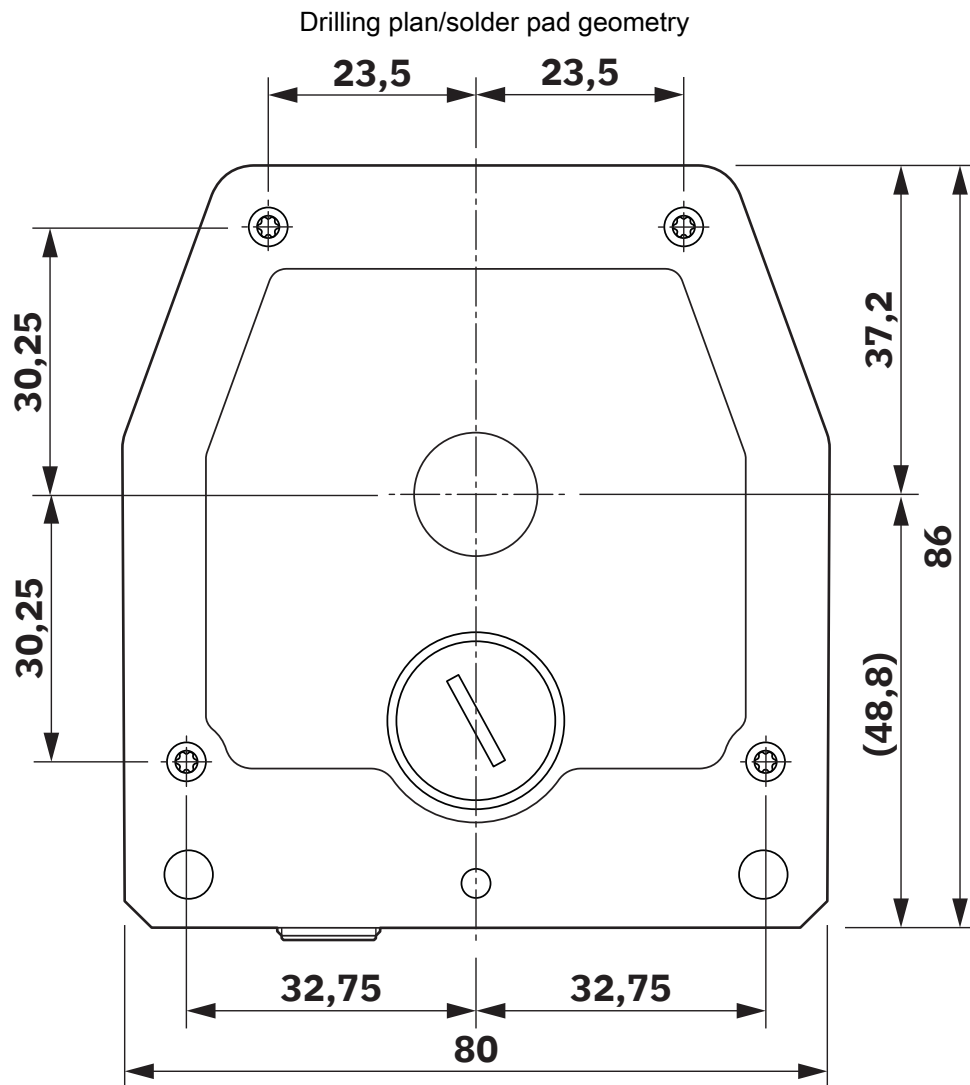
Drilling diagram

NEARFI D ETH B - Inductive coupler



1234232

<https://www.phoenixcontact.com/gb/products/1234232>

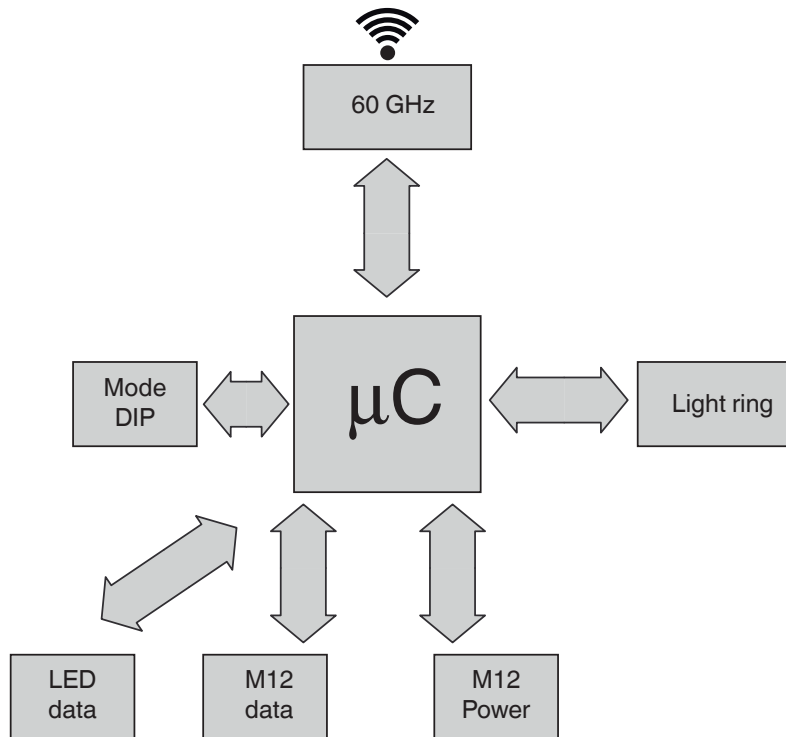


Centering template

1234232

<https://www.phoenixcontact.com/gb/products/1234232>

Block diagram



Basic circuit diagram

NEARFI D ETH B - Inductive coupler



1234232

<https://www.phoenixcontact.com/gb/products/1234232>

Approvals

To download certificates, visit the product detail page: <https://www.phoenixcontact.com/gb/products/1234232>



MIC

Approval ID: 006-001056

FCC

Approval ID: YG3DETHB

Industry Canada

Approval ID: 4720B-DETHB



cULus Recognized

Approval ID: E238705



KC

Approval ID: R-R-PCK-1234232



cULus Listed

Approval ID: E238705

NEARFI D ETH B - Inductive coupler



1234232

<https://www.phoenixcontact.com/gb/products/1234232>

Classifications

ECLASS

ECLASS-13.0	27040701
ECLASS-15.0	27040701

ETIM

ETIM 9.0	EC002540
----------	----------

NEARFI D ETH B - Inductive coupler



1234232

<https://www.phoenixcontact.com/gb/products/1234232>

Environmental product compliance

EU RoHS

Fulfills EU RoHS substance requirements	Yes
Exemption	6(c)

China RoHS

Environment friendly use period (EFUP)	EFUP-50
	An article-related China RoHS declaration table can be found in the download area for the respective article under "Manufacturer declaration". For all articles with EFUP-E, no China RoHS declaration table issued and required.

EU REACH SVHC

REACH candidate substance (CAS No.)	Lead(CAS: 7439-92-1)
SCIP	4b329bc9-8477-46e7-962e-7ea18d1948c7

Phoenix Contact 2025 © - all rights reserved
<https://www.phoenixcontact.com>

PHOENIX CONTACT Ltd
Halesfield 13, Telford
Shropshire, TF7 4PG
01952 681700
info@phoenixcontact.co.uk