

ME PLC 40 CL GY7035 - Front connection module



2201505

<https://www.phoenixcontact.com/gb/products/2201505>

Please be informed that the data shown in this PDF document is generated from our online catalog. Please find the complete data in the user documentation. Our general terms of use for downloads are valid.

DIN rail housing, Universal cover, width: 39.7 mm, height: 129.7 mm, depth: 47 mm, color: light gray (similar RAL 7035)



Your advantages

- Tool-free mounting
- Available in 40 mm overall width
- Flammability rating V0 in accordance with UL 94
- Variety of connection technology
- Can be mounted on the DIN rail
- With DIN-rail-mountable bus connector and power connector system as an option

Commercial data

Item number	2201505
Packing unit	10 pc
Minimum order quantity	10 pc
Sales key	ACHEAZ
Product key	ACHEAZ
GTIN	4046356839730
Weight per piece (including packing)	29.41 g
Weight per piece (excluding packing)	23.27 g
Customs tariff number	85389099
Country of origin	DE

ME PLC 40 CL GY7035 - Front connection module



2201505

<https://www.phoenixcontact.com/gb/products/2201505>

Technical data

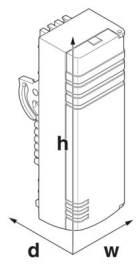
Notes

Assembly note	Please observe the application note in the download area.
---------------	---

Product properties

Product type	Upper housing part
Housing type	DIN rail housing
Housing series	ME PLC
Ventilation openings present	no

Dimensions

Dimensional drawing	
Width	39.7 mm
Height	129.7 mm
Depth	47 mm

Material specifications

Color (Housing)	light gray (RAL 7035)
Flammability rating according to UL 94	V0
CTI according to IEC 60112	225
Housing material	PC
Surface characteristics	untreated

Environmental and real-life conditions

Ambient conditions

Max. IP code to attain	IP20
Ambient temperature (operation)	-40 °C ... 105 °C (depending on power dissipation)
Ambient temperature (storage/transport)	-40 °C ... 70 °C
Ambient temperature (assembly)	-5 °C ... 100 °C
Relative humidity (storage/transport)	95 %

Mounting

Mounting type	Latching with lower housing part
---------------	----------------------------------

Packaging specifications

ME PLC 40 CL GY7035 - Front connection module



2201505

<https://www.phoenixcontact.com/gb/products/2201505>

Type of packaging	packed in cardboard
Outer packaging type	Carton

ME PLC 40 CL GY7035 - Front connection module

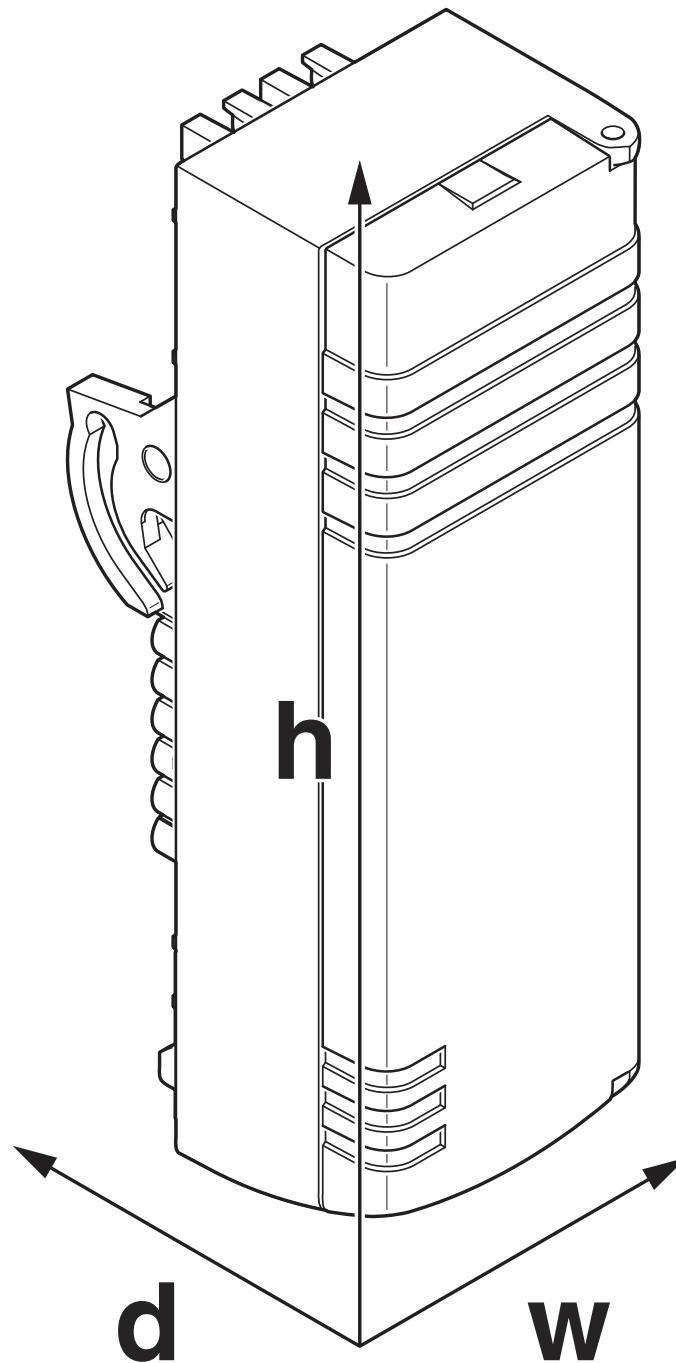
2201505

<https://www.phoenixcontact.com/gb/products/2201505>



Drawings

Dimensional drawing



ME PLC 40 CL GY7035 - Front connection module



2201505

<https://www.phoenixcontact.com/gb/products/2201505>

Classifications

ECLASS

ECLASS-13.0	27190605
ECLASS-15.0	27190605

ETIM

ETIM 9.0	EC002779
----------	----------

UNSPSC

UNSPSC 21.0	31261500
-------------	----------

ME PLC 40 CL GY7035 - Front connection module



2201505

<https://www.phoenixcontact.com/gb/products/2201505>

Environmental product compliance

EU RoHS

Fulfills EU RoHS substance requirements	Yes, No exemptions
---	--------------------

China RoHS

Environment friendly use period (EFUP)	EFUP-E
	No hazardous substances above the limits

EU REACH SVHC

REACH candidate substance (CAS No.)	No substance above 0.1 wt%
-------------------------------------	----------------------------

Phoenix Contact 2025 © - all rights reserved
<https://www.phoenixcontact.com>

PHOENIX CONTACT Ltd
Halesfield 13, Telford
Shropshire, TF7 4PG
01952 681700
info@phoenixcontact.co.uk