

PSR-SCP- 24UC/URM4/5X1/2X2/B - Extension module



2981033

<https://www.phoenixcontact.com/gb/products/2981033>

Please be informed that the data shown in this PDF document is generated from our online catalog. Please find the complete data in the user documentation. Our general terms of use for downloads are valid.



Single or two-channel contact extension, 5 N/O contacts, 1 N/C contact, 1 confirmation current path, plug-in screw terminal blocks, width: 22.5 mm

Your advantages

- 1- and 2-channel control
- Up to Cat. 4/PL e in accordance with EN ISO 13849-1, SIL 3 in accordance with EN IEC 62061, SIL 3 in accordance with IEC 61508

Commercial data

| | |
|--------------------------------------|---------------|
| Item number | 2981033 |
| Packing unit | 1 pc |
| Minimum order quantity | 1 pc |
| Sales key | DNA152 |
| Product key | DNA152 |
| GTIN | 4017918915513 |
| Weight per piece (including packing) | 208.9 g |
| Weight per piece (excluding packing) | 205.3 g |
| Customs tariff number | 85371098 |
| Country of origin | DE |

PSR-SCP- 24UC/URM4/5X1/2X2/B - Extension module



2981033

<https://www.phoenixcontact.com/gb/products/2981033>

Technical data

Notes

Note on application

| | |
|---------------------|-------------------------|
| Note on application | Only for industrial use |
|---------------------|-------------------------|

Product properties

| | |
|-------------------------|--|
| Product type | Safety relays |
| Product family | PSRclassic |
| Application | Extension module |
| Control | 1 and 2 channel |
| Mechanical service life | 10x 10 ⁶ cycles |
| Relay type | Electromechanical relay with force-guided contacts in accordance with IEC/EN 61810-3 |

Insulation characteristics: Air clearances and creepage distances between the power circuits

| | |
|----------------------|-----|
| Overvoltage category | III |
| Degree of pollution | 2 |

Electrical properties

| | |
|---|-----------------------|
| Maximum power dissipation for nominal condition | 2.21 W |
| Nominal operating mode | 100% operating factor |

Air clearances and creepage distances between the power circuits

| | |
|--------------------------------|---|
| Rated insulation voltage | 250 V AC |
| Rated surge voltage/insulation | Basic insulation 4 kV: between all current paths and housing Safe isolation, reinforced insulation 6 kV: between A1/A2, 11/12, 23/24, 71/72 and 33/34, 43/44, 53/54, 63/64 |

Supply

| | |
|--|---|
| Rated control circuit supply voltage U_S | 24 V AC/DC -15 % / +10 % |
| Rated control supply current I_S | typ. 81 mA (AC) |
| | typ. 71 mA (DC) |
| Power consumption at U_S | typ. 1.94 W (AC) |
| | typ. 1.7 W (DC) |
| Inrush current | typ. 175 mA ($\Delta t = 5$ ms at U_S) |
| Filter time | 2 ms (at A1 in the event of voltage dips at U_S) |
| Protective circuit | Surge protection; Varistor |

Output data

Relay: Enabling current paths (23/24 ... 63/64)

| | |
|------------------------|--------------------------|
| Number of outputs | 5 |
| Contact switching type | 5 enabling current paths |

PSR-SCP- 24UC/URM4/5X1/2X2/B - Extension module



2981033

<https://www.phoenixcontact.com/gb/products/2981033>

| | |
|---|--|
| Contact material | AgSnO ₂ |
| Switching voltage | min. 5 V AC/DC |
| | max. 250 V AC/DC |
| Switching capacity | min. 50 mW |
| Inrush current | min. 10 mA |
| | max. 20 A ($\Delta t \leq \text{[Symbol]} \text{ ms}$) |
| Switching capacity in accordance with IEC 60947-5-1 | 2.5 A (24 V (DC13)) |
| | 3 A (230 V (AC15)) |
| Switching capacity (360/h cycles) | 4 A (24 V DC) |
| | 4 A (230 V AC) |
| Limiting continuous current | 6 A (observe derating) |
| Sq. Total current | 72 A ² (observe derating) |
| Switching frequency | max. 1 Hz |
| Interrupting rating (ohmic load) max. | Observe derating and load limit curve |
| Maximum interrupting rating (inductive load) | Observe derating and load limit curve |
| Output fuse | 10 A gL/gG |

Relay: Signaling current path (71/72)

| | |
|---|--|
| Number of outputs | 1 |
| Contact switching type | 1 signaling current path |
| Contact material | AgSnO ₂ |
| Switching voltage | min. 5 V AC/DC |
| | max. 250 V AC/DC |
| Switching capacity | min. 50 mW |
| Inrush current | min. 10 mA |
| | max. 20 A ($\Delta t \leq \text{[Symbol]} \text{ ms}$) |
| Switching capacity in accordance with IEC 60947-5-1 | 2.5 A (24 V (DC13)) |
| | 3 A (230 V (AC15)) |
| Switching capacity (360/h cycles) | 4 A (24 V DC) |
| | 4 A (230 V AC) |
| Limiting continuous current | 6 A |
| Sq. Total current | 72 A ² |
| Switching frequency | max. 1 Hz |
| Interrupting rating (ohmic load) max. | see load limit curve |
| Maximum interrupting rating (inductive load) | see load limit curve |
| Output fuse | 6 A (gL/gG) |

Relay: Confirmation current path (11/12)

| | |
|------------------------|--|
| Number of outputs | 1 |
| Contact switching type | 1 confirmation current path |
| Contact material | AgSnO ₂ |
| Switching voltage | max. 250 V AC/DC |
| | min. 5 V AC/DC |
| Switching capacity | min. 50 mW |
| Inrush current | max. 20 A ($\Delta t \leq \text{[Symbol]} \text{ ms}$) |

PSR-SCP- 24UC/URM4/5X1/2X2/B - Extension module



2981033

<https://www.phoenixcontact.com/gb/products/2981033>

| | |
|---|---|
| Switching capacity in accordance with IEC 60947-5-1 | 2.5 A (24 V (DC13)) 3 A (230 V (AC15)) |
| Switching capacity (360/h cycles) | 4 A (24 V DC) 4 A (230 V AC) |
| Limiting continuous current | 6 A |
| Sq. Total current | 72 A ² |
| Switching frequency | max. 1 Hz |
| Interrupting rating (ohmic load) max. | see load limit curve |
| Maximum interrupting rating (inductive load) | see load limit curve |
| Output fuse | 6 A (gL/gG) |

Connection data

Connection technology

| | |
|-----------|-----|
| pluggable | yes |
|-----------|-----|

Conductor connection

| | |
|----------------------------------|---|
| Connection method | Screw connection |
| Conductor cross section rigid | 0.2 mm ² ... 2.5 mm ² |
| Conductor cross section flexible | 0.2 mm ² ... 2.5 mm ² |
| Conductor cross-section AWG | 24 ... 12 |
| Stripping length | 7 mm |
| Screw thread | M3 |

Signaling

| | |
|---------------------------|-----------------|
| Operating voltage display | 1 x LED (green) |
|---------------------------|-----------------|

Dimensions

| | |
|--------|----------|
| Width | 22.5 mm |
| Height | 99 mm |
| Depth | 114.5 mm |

Material specifications

| | |
|------------------|-------------------|
| Color (Housing) | yellow (RAL 1018) |
| Housing material | PA |

Characteristics

Safety data

| | |
|---------------|---|
| Stop category | 0 |
|---------------|---|

Safety data: EN ISO 13849

| | |
|------------------------|--|
| Category | 4 (In conjunction with suitable evaluating device) |
| Performance level (PL) | e (In conjunction with suitable evaluating device) |

Safety data: IEC 61508 - High demand

| | |
|------------------------------|--|
| Safety Integrity Level (SIL) | 3 (In conjunction with suitable evaluating device) |
|------------------------------|--|

PSR-SCP- 24UC/URM4/5X1/2X2/B - Extension module



2981033

<https://www.phoenixcontact.com/gb/products/2981033>

Safety data: IEC 61508 - Low demand

| | |
|------------------------------|--|
| Safety Integrity Level (SIL) | 3 (In conjunction with suitable evaluating device) |
|------------------------------|--|

Safety data: EN IEC 62061

| | |
|------------------------------|--|
| Safety Integrity Level (SIL) | 3 (In conjunction with suitable evaluating device) |
|------------------------------|--|

Environmental and real-life conditions

Ambient conditions

| | |
|--|---|
| Degree of protection | IP20 |
| Min. degree of protection of inst. location | IP54 |
| Ambient temperature (operation) | -20 °C ... 55 °C (observe derating) |
| Ambient temperature (storage/transport) | -40 °C ... 70 °C |
| Maximum altitude | max. 2000 m (Above sea level) |
| Max. permissible humidity (storage/transport) | 75 % (on average, 85% infrequently, non-condensing) |
| Max. permissible relative humidity (operation) | 75 % (on average, 85% infrequently, non-condensing) |
| Shock | 15g |
| Vibration (operation) | 10 Hz ... 150 Hz, 2g |

Approvals

CE

| | |
|----------------|--------------|
| Identification | CE-compliant |
|----------------|--------------|

Standards and regulations

Air clearances and creepage distances between the power circuits

| | |
|-----------------------|-------------|
| Standards/regulations | IEC 60664-1 |
|-----------------------|-------------|

Mounting

| | |
|-------------------|------------------------|
| Mounting type | DIN rail mounting |
| Assembly note | See derating curve |
| Mounting position | vertical or horizontal |

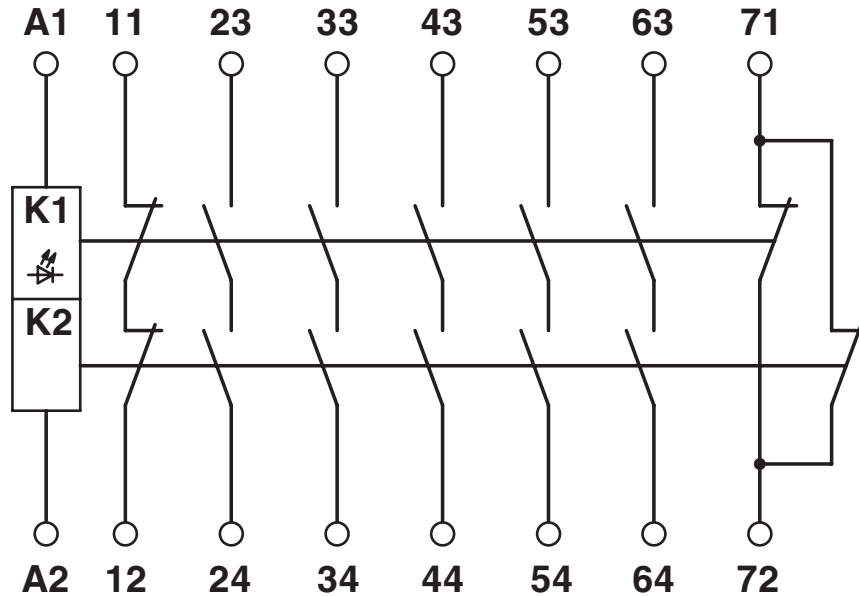
PSR-SCP- 24UC/URM4/5X1/2X2/B - Extension module

2981033

<https://www.phoenixcontact.com/gb/products/2981033>

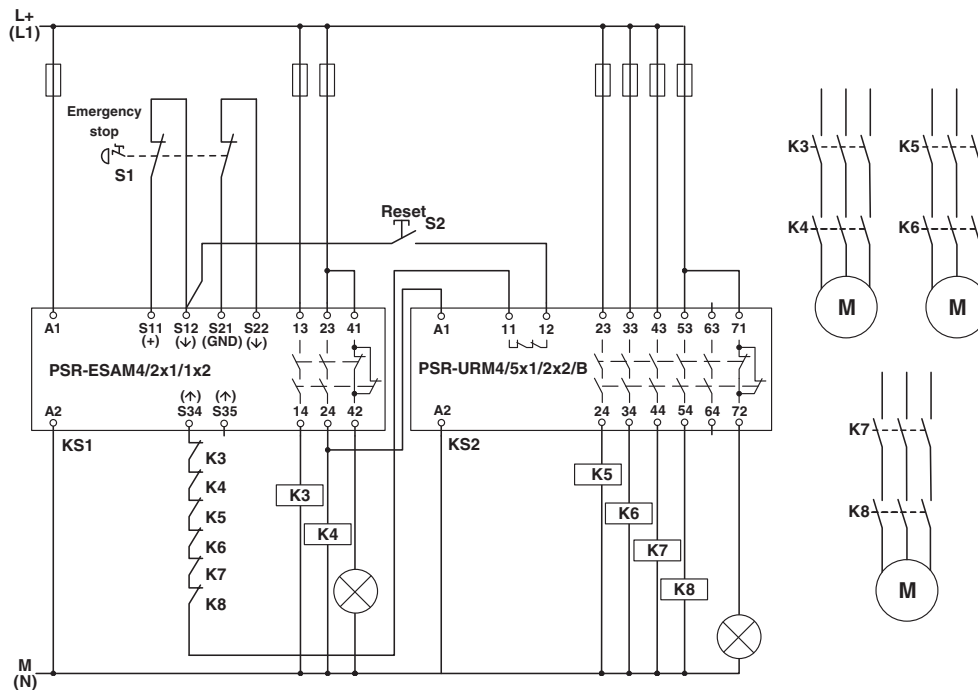
Drawings

Circuit diagram



Block diagram

Circuit diagram



Two-channel emergency stop monitoring with contact extension

PSR-SCP- 24UC/URM4/5X1/2X2/B - Extension module



2981033

<https://www.phoenixcontact.com/gb/products/2981033>

Classifications

ECLASS

ECLASS-13.0

27371819

ETIM

ETIM 8.0

EC001449

UNSPSC

UNSPSC 21.0

39122200

PSR-SCP- 24UC/URM4/5X1/2X2/B - Extension module



2981033

<https://www.phoenixcontact.com/gb/products/2981033>

Environmental product compliance

EU RoHS

| | |
|---|--------------|
| Fulfills EU RoHS substance requirements | Yes |
| Exemption | 7(a), 7(c)-I |

China RoHS

| | |
|--|---|
| Environment friendly use period (EFUP) | EFUP-50 |
| | An article-related China RoHS declaration table can be found in the download area for the respective article under "Manufacturer declaration". For all articles with EFUP-E, no China RoHS declaration table issued and required. |

EU REACH SVHC

| | |
|-------------------------------------|--------------------------------------|
| REACH candidate substance (CAS No.) | Lead(CAS: 7439-92-1) |
| SCIP | 65dd89ba-1ada-476f-8edb-e88423f2863d |

EF3.0 Climate Change

| | |
|---------|---------------|
| CO2e kg | 3.436 kg CO2e |
|---------|---------------|

Phoenix Contact 2025 © - all rights reserved
<https://www.phoenixcontact.com>

PHOENIX CONTACT Ltd
Halesfield 13, Telford
Shropshire, TF7 4PG
01952 681700
info@phoenixcontact.co.uk