

Data sheet for SIMOTICS S-1FT2

Article No. : 1FT2210-5AB10-1SA0



Figure similar

Client order no. :
Order no. :
Offer no. :
Remarks :

Item no. :
Consignment no. :
Project :

Basic motor data

Motor type	Permanent-magnet synchronous motor, Natural cooling, IP64
Motor type	Compact
Static torque	50.00 Nm
Static current	15.0 A
Maximum torque	150.00 Nm
Maximum current	55.0 A
Maximum speed	2,850 rpm
Rotor moment of inertia	161.0000 kgcm ²
Weight	36.0 kg

Rated data

SINAMICS S210, 3AC 400V

Rated speed	1,500 rpm
Rated torque	39.00 Nm
Rated current	12.1 A
Rated power	6.10 kW

Encoder system

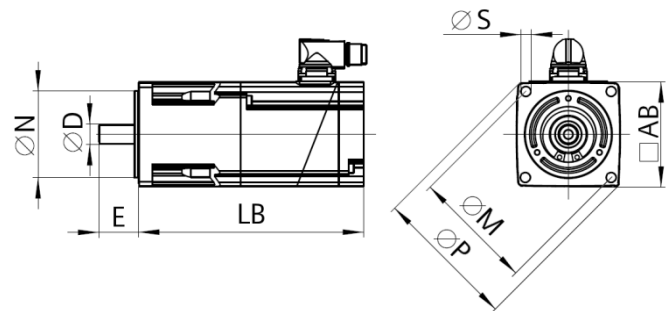
Encoder system	Encoder AS22DQC: Absolute encoder single turn 22 bit
----------------	--

Motor connection

Connection type	OCC for S210
Connector size	M23

Mechanical data

Design acc. to Code I	IM B5 (IM V1, IM V3)
Vibration severity grade	Grade A
Shaft height	100
Flange size (AB)	192 mm
Centering ring (N)	180 mm
Hole circle (M)	215 mm
Screw-on hole (S)	14.0 mm
Overall length (LB)	307 mm
Diameter of shaft (D)	38 mm
Length of shaft (E)	80 mm
Length of flange diagonal (P)	244 mm
Shaft end	Fitted key
Color of the housing	Standard (Anthracite, similar to RAL 7016)



Holding brake

Holding torque	55.00 Nm
Average dynamic torque	26.00 Nm
Opening time	130 ms
Closing time	65 ms
Maximum single switching energy ¹⁾	8,700 J
Service life, operating energy	3,800,000 J
Holding current ²⁾	0.5 A
Break-induced current for 500 ms ²⁾	1.5 A

¹⁾Up to three consecutive emergency stops and up to 25% of all emergency stops as a Wmax high energy stop possible.

²⁾Typical value for 20°C ambient temperature. At -15°C the break-induced currents can be increased by up to 30%.