

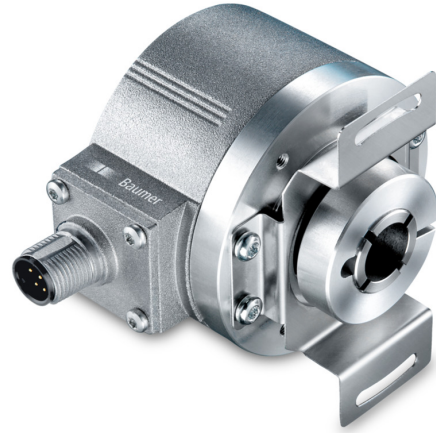
# EIL580-BT12.5BE.01024.A

Blind hollow shaft, 1024 pulses per revolution

Article number: 11204009

## Overview

- Size ø58 mm
- Precise optical sensing
- Output signal level TTL
- Blind hollow shaft, ø12 mm
- Flange connector M12, 8-pin CCW, radial
- 1024 pulses per revolution
- High protection IP 65
- High resistance to shock and vibrations



## Technical data

### Technical data - electrical ratings

Voltage supply	5 VDC ±5 %
Reverse polarity protection	Yes
Short-circuit proof	Yes (TTL, max. 1 s and 1 signal)
Consumption w/o load	≤70 mA
Pulses per revolution	1024
Phase shift	90 ° ±10°
Duty cycle	40...60 %
Reference signal	Zero pulse, width 90° ±10 %
Sensing method	Optical
Output frequency	≤300 kHz (TTL)
Output signals	A+, B+, R+, A-, B-, R-
Output stages	TTL/RS422
Interference immunity	EN 61000-6-2
Emitted interference	EN 61000-6-3
Approval	UL 508 / CSA 22.2

### Technical data - mechanical design

Size (flange)	ø58 mm
Shaft type	ø12 mm (blind hollow shaft)
Protection EN 60529	IP 65
Operating speed	≤8000 rpm (+20 °C, IP 65)
Starting torque	≤0.02 Nm (+20 °C, IP 65)
Material	Housing: aluminium die-cast Flange: aluminium
Operating temperature	-40...+85 °C
Relative humidity	90 % non-condensing
Resistance	EN 60068-2-6 Vibration 30 g, 10-2000 Hz EN 60068-2-27 Shock 250 g, 6 ms
Connection	Flange connector M12, 8-pin
Weight approx.	300 g

**Terminal assignment**

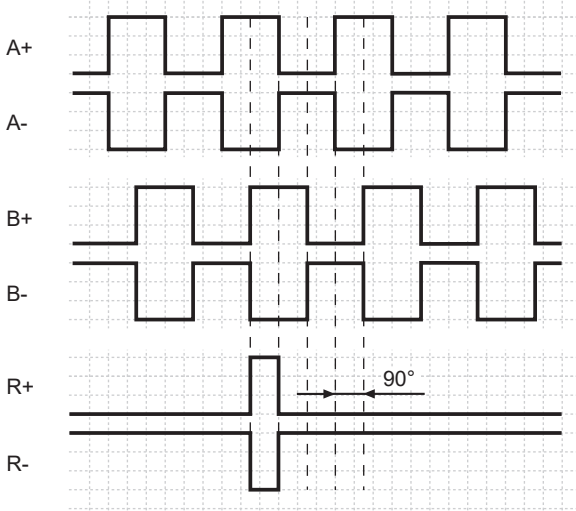
**Flange connector M12, 8-pin**

Pin	Assignment
1	GND
2	UB
3	A+
4	A-
5	B+
6	B-
7	R+
8	R-



**Output signals**

Clockwise rotating direction when looking at flange.



**Trigger level**

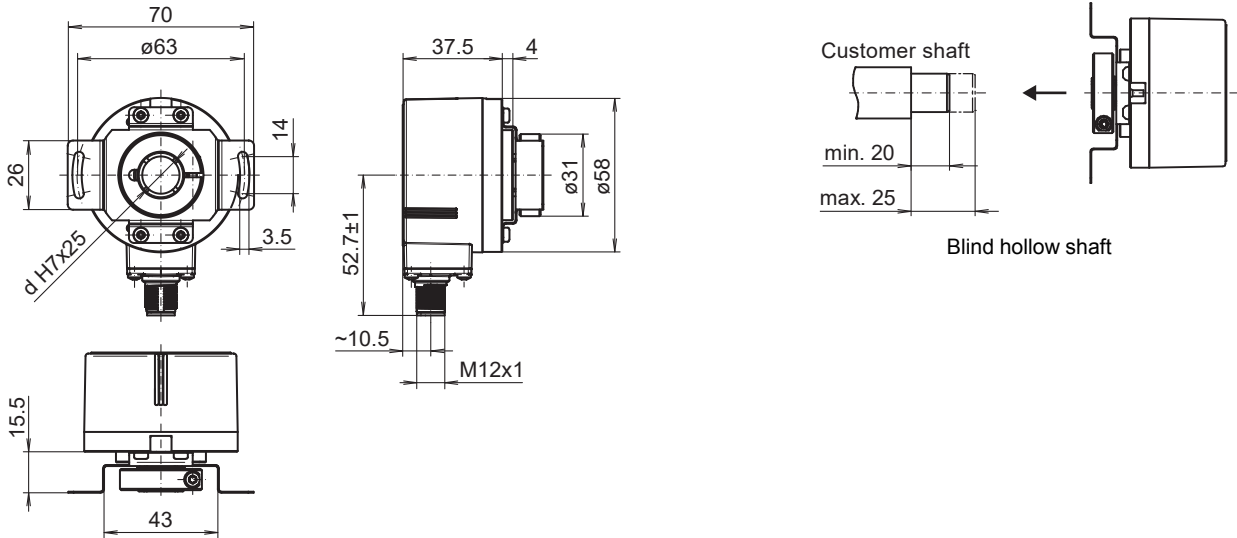
Outputs	TTL/RS422
Output level High	$\geq 2.5 \text{ V}$
Output level Low	$\leq 0.5 \text{ V}$
Load	$\leq 20 \text{ mA}$

# EIL580-BT12.5BE.01024.A

Blind hollow shaft, 1024 pulses per revolution

Article number: 11204009

## Dimensions



Clamping ring at A-side: Blind hollow shaft, flange connector M12 radial