



WSU26/3-103A00

WSU/WEU26-3

SAFETY SINGLE-BEAM SENSORS

SICK
Sensor Intelligence.



Ordering information

Type	part no.
WSU26/3-103A00	1047984

Other models and accessories → www.sick.com/WSU_WEU26-3



Detailed technical data

Features

Type of light	Infrared light
Scanning range	70 m
Dimension of the light path	0.5 m ... 70 m
Number of beams	1
Detection capability	30 mm
Front screen heating	✓
Synchronization	Optical synchronization

Safety-related parameters

Type	Type 4 (IEC 61496-1)
Safety integrity level	SIL 3 (IEC 61508)
Category	Category 4 (EN ISO 13849)
Performance level	PL e (EN ISO 13849)
B_{10d} parameter	1 x 10 ⁶ switching cycles (AC-15, 230 V, 0.4 A), 2.6 x 10 ⁵ switching cycles (AC-15, 230 V, 2.0 A), 1 x 10 ⁶ switching cycles (DC-13, 24 V, 0.6 A), 2 x 10 ⁵ switching cycles (DC-13, 24 V, 1.5 A)
PFH_D (mean probability of a dangerous failure per hour)	4.0 x 10 ⁻⁹ (EN ISO 13849)
T_M (mission time)	20 years (EN ISO 13849)

Interfaces

Connection type	PG gland (13,5)
Display elements	LEDs

Electronics

Protection class	I (EN 50178)
-------------------------	--------------

¹⁾ Upon applying the supply voltage.

Supply voltage V_s	24 V DC (19.2 V DC ... 28.8 V DC)
Power consumption	≤ 6 W
Switch-on time	≤ 10 s ¹⁾
Test input	Volt-free N/C contact

¹⁾ Upon applying the supply voltage.

Mechanics

Design	Rectangular
Dimensions (W x H x D)	50 mm x 156 mm x 116 mm
Housing material	Aluminum die cast
Front screen material	Polycarbonate, scratch-resistant coating
Weight	≤ 1 kg

Ambient data

Enclosure rating	IP67 (EN 60529)
Ambient operating temperature	-25 °C ... +55 °C
Storage temperature	-25 °C ... +70 °C
Air humidity	15 % ... 95 %, Non-condensing
Vibration resistance	5 g, 10 Hz ... 55 Hz (IEC 60068-2-6)
Shock resistance	10 g, 16 ms (IEC 60068-2-27)

Other information

Type of light	Infrared light
Wave length	850 nm

Certificates

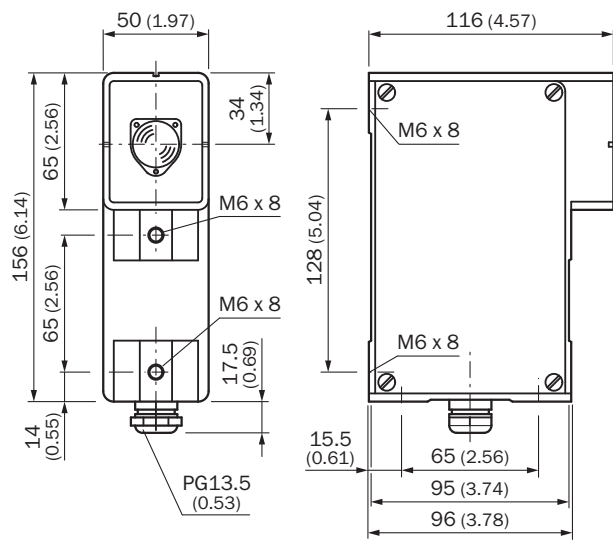
EU declaration of conformity	✓
UK declaration of conformity	✓
ACMA declaration of conformity	✓
Moroccan declaration of conformity	✓
China-RoHS	✓
cTUVus certificate	✓
EC-Type-Examination approval	✓

Classifications

ECLASS 5.0	27272701
ECLASS 5.1.4	27272701
ECLASS 6.0	27272701
ECLASS 6.2	27272701
ECLASS 7.0	27272701
ECLASS 8.0	27272701
ECLASS 8.1	27272701
ECLASS 9.0	27272701
ECLASS 10.0	27272701

ECLASS 11.0	27272701
ECLASS 12.0	27272701
ETIM 5.0	EC001831
ETIM 6.0	EC001831
ETIM 7.0	EC001831
ETIM 8.0	EC001831
UNSPSC 16.0901	46171620




Dimensional drawing



Dimensions in mm (inch)

Recommended accessories

Other models and accessories → www.sick.com/WSU_WEU26-3

	Brief description	Type	part no.
Commissioning aids and test equipment			
	<ul style="list-style-type: none"> Product: Test equipment Description: 30 mm diameter, 250 mm length 	Test rod 30 mm	2022602
	<ul style="list-style-type: none"> Product: Alignment aids Description: Adapter AR60 for WSU/WEU26-3 and WSU/WEU26/2 	AR60 adapter, WSU/WEU26	4031156
	<ul style="list-style-type: none"> Product: Alignment aids Dimensions (W x H x L): 19 mm 67.3 mm 66.9 mm Description: Laser alignment aid for various sensors, laser class 2 (IEC 60825). Do not look into the beam! 	AR60	1015741
Mounting systems			
	<ul style="list-style-type: none"> Description: Bracket, face side mounting position 	BEF-4WNAEFAL1	2007900
	<ul style="list-style-type: none"> Description: Spring mounting for PSK1 deflector mirror 	BEF-4AAAAHST3	2012473
		PG extension for PG13 to PG21	5306052
reflectors and optics			
		PNS75-008	1026647
		PSK1	1005229
		PSK45	5306053
connectors and cables			
		Two-way splitter	5305978

SICK AT A GLANCE

SICK is one of the leading manufacturers of intelligent sensors and sensor solutions for industrial applications. A unique range of products and services creates the perfect basis for controlling processes securely and efficiently, protecting individuals from accidents and preventing damage to the environment.

We have extensive experience in a wide range of industries and understand their processes and requirements. With intelligent sensors, we can deliver exactly what our customers need. In application centers in Europe, Asia and North America, system solutions are tested and optimized in accordance with customer specifications. All this makes us a reliable supplier and development partner.

Comprehensive services complete our offering: SICK LifeTime Services provide support throughout the machine life cycle and ensure safety and productivity.

For us, that is “Sensor Intelligence.”

WORLDWIDE PRESENCE:

Contacts and other locations –www.sick.com