

Sun collar, black, for illuminated pushbutton, 22 mm



product brand name	SIRIUS ACT
product designation	Sun collar
design of the product	for illuminated pushbuttons
product type designation	3SU1

**General technical data**

Substance Prohibance (Date)	10/01/2014
Weight	4 g

**Ambient conditions**

ambient temperature	
• during storage	-40 ... +80 °C

**Environmental footprint**

Environmental Product Declaration(EPD)	Yes
global warming potential [CO2 eq] total	0.787 kg
global warming potential [CO2 eq] during manufacturing	0.566 kg
global warming potential [CO2 eq] during operation	0.235 kg
global warming potential [CO2 eq] after end of life	-0.015 kg

**Installation/ mounting/ dimensions**

depth	26.3 mm
-------	---------

**Accessories**

material of accessory	Plastic
color of accessory	black

**Approvals Certificates**

General Product Approval	Test Certificates	Maritime application
--------------------------	-------------------	----------------------



[Type Test Certificates/Test Report](#)



Maritime application	other	Environment
----------------------	-------	-------------



[Confirmation](#)



Siemens EcoTech



**Environment**

[Environmental Con-](#)

Further information

Information on the packaging

<https://support.industry.siemens.com/cs/ww/en/view/109813875>

Information- and Downloadcenter (Catalogs, Brochures,...)

<https://www.siemens.com/ic10>

Industry Mall (Online ordering system)

<https://mall.industry.siemens.com/mall/en/en/Catalog/product?mlfb=3SU1900-0DJ10-0AA0>

Cax online generator

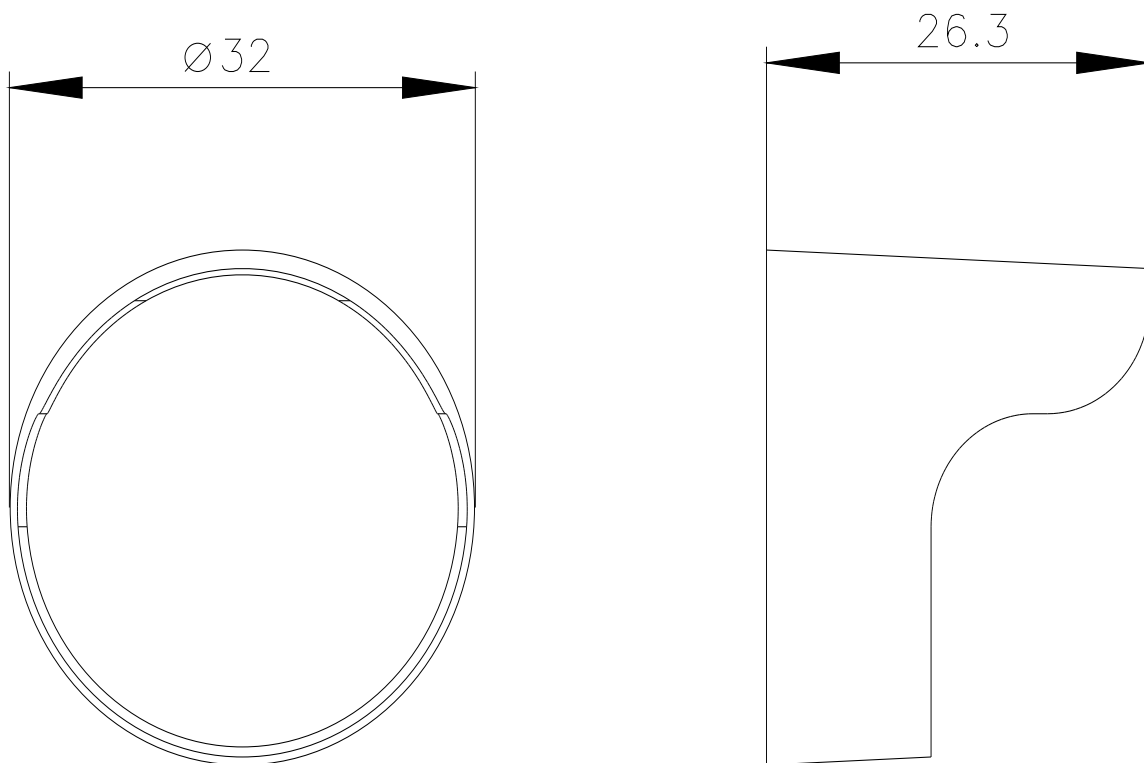
<http://support.automation.siemens.com/WW/CAXorder/default.aspx?lang=en&mlfb=3SU1900-0DJ10-0AA0>

Service&Support (Manuals, Certificates, Characteristics, FAQs,...)

<https://support.industry.siemens.com/cs/ww/en/ps/3SU1900-0DJ10-0AA0>

Image database (product images, 2D dimension drawings, 3D models, device circuit diagrams, EPLAN macros, ...)

[http://www.automation.siemens.com/bilddb/cax\\_de.aspx?mlfb=3SU1900-0DJ10-0AA0&lang=en](http://www.automation.siemens.com/bilddb/cax_de.aspx?mlfb=3SU1900-0DJ10-0AA0&lang=en)



last modified:

4/2/2025