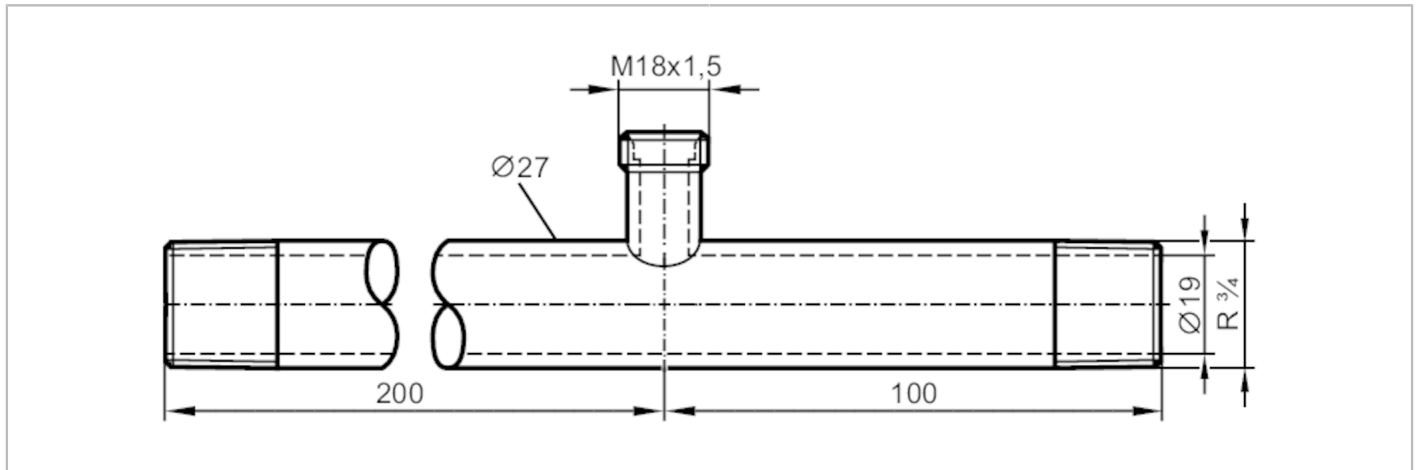


E40278



T-piece

T-PIECE R3/4-M18x1,5-R3/4



Application	
Design	for sensors and adapters with process connection M18 x 1,5
Flow range [l/min]	0...20
Application	for industrial applications
Media	liquids and gases
Pressure rating	30 bar 3 MPa
Tests / approvals	
Pressure Equipment Directive	A possible classification to PED depends on the application and has to be carried out by the user / operator.
Safety instructions	The compatibility between medium and product material has to be checked in all applications.
Mechanical data	
Weight [g]	756.6
Materials (wetted parts)	housing: stainless steel (316Ti/1.4571)
Sensor connection	M18 x 1,5
Process connection	threaded connection R 3/4
Remarks	
Pack quantity	1 pcs.