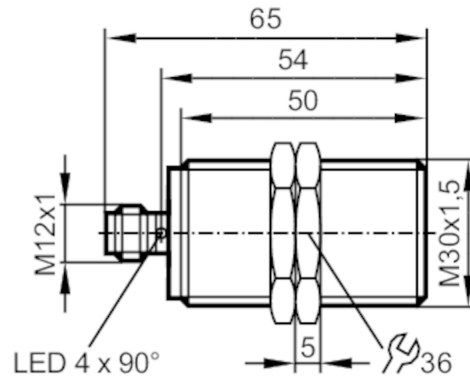




## Fail-safe inductive sensor

GI855S-4010B2PO/SIL2/US



### Product characteristics

Electrical design		PNP
Output function		2 x OSSD (A1 and A2)
Enable zone [mm]		> 14.5
Housing		threaded type
Dimensions [mm]		M30 x 1.5 / L = 65

### Application

Special feature		Gold-plated contacts
Type of operation		permanent operation
Safety-related function		safe state when damped correctly
Application		Use in mobile and harsh applications

### Electrical data

Operating voltage [V]		8...32 DC
Rated insulation voltage [V]		60
Current consumption [mA]		< 20
Protection class		III
Reverse polarity protection		yes
Max. power-on delay time [ms]		1000

### Outputs

Electrical design		PNP
Output function		2 x OSSD (A1 and A2)
Max. voltage drop switching output DC [V]		2.5; (30 mA)
Minimum load current [mA]		1
Permanent current rating of switching output DC [mA]		50
Switching frequency DC [Hz]		10
Output data		Interface type C class 1
Output voltage at 24 V		compatible with EN 61131-2 inputs type 1, 2
Short-circuit protection		yes

# GI855S



## Fail-safe inductive sensor

GI1K4010B2PO/SIL2/US

Overload protection		yes
Max. capacitive load CL_max [nF]		20
<b>Detection zone</b>		
Enable zone [mm]		> 14.5
Safe switch-off distance s(ao) [mm]		< 8
<b>Accuracy / deviations</b>		
Correction factor		steel: 1 / stainless steel: 0.7 / brass: 0.5 / aluminium: 0.4 / copper: 0.4
Hysteresis [% of Sr]		1...10
<b>Response times</b>		
Response time to safety request [ms]		5
Response time when approaching the enable zone [ms]		5
Risk time (response time for safety-related faults) [ms]		100
<b>Operating conditions</b>		
Ambient temperature [°C]		-40...85
Max. relative air humidity [%]		50; (70 °C; <70 °C: >50 %)
Max. height above sea level [m]		5000
Ionising radiation		not permissible
Protection		IP 65; IP 67; IP 68; IP 69K; (with ifm socket duly screwed on)

# GI855S



## Fail-safe inductive sensor

GI855S-010B2PO/SIL2/US

### Chemical media

test according to ISO 16750-5	
the following media were tested for 22 hours at 60 °C	coolants
	(HoughtonHocut4480
	Oemeta
	HYCUT ET 46)
The following media were tested for 22 hours at 75 °C	hydraulic fluids
	(Fuchs Renoling B15 VG 46 HLP
	Total BiohydranTMP 4HEES
	Fuchs Hydrotherm 46 M HFC)
	transmission oils
	(Fuchs TITAN ATF 3353 Dexron III)
	diesel
	biodiesel
	urea
	(AdBlue)
	brake fluid
	(K2 TURBO DOT 4)
the following media were tested for 22 hours at 23 °C	corrosion protection
	(Sonax special preservation wax )
	cold cleaner
	(Sonax cold cleaner S )
	ammonia-based cleaner
	(Weco Dr. Webers Salmiak-Konzentrat
	(concentrated ammonium chloride) )
	battery acid
the following media were tested for 2 hours at 23 °C	wheel rim cleaner
	(Sonax Xtreme Plus)
the following media were tested for 10 minutes at 23 °C	premium-grade petrol lead-free



## Fail-safe inductive sensor

GIK4010B2PO/SIL2/US

Tests / approvals																																			
EMC	<table border="1"> <tr> <td>industrial environments</td> <td></td> </tr> <tr> <td>EN 60947-5-3</td> <td></td> </tr> <tr> <td>EN 61000-4-2 ESD</td> <td>6 kV CD / 8 kV AD</td> </tr> <tr> <td>EN 61000-4-3 HF radiated</td> <td>20 V/m</td> </tr> <tr> <td>EN 61000-4-4 Burst</td> <td>2 kV</td> </tr> <tr> <td>EN 61000-4-5 Surge</td> <td>2 kV</td> </tr> <tr> <td>EN 61000-4-6 HF conducted</td> <td>10 V</td> </tr> <tr> <td>EN 61000-4-8</td> <td>30 A/m 50/60 Hz / 1000 A/m 0 Hz</td> </tr> <tr> <td>EN 55011</td> <td>class B</td> </tr> <tr> <td>mobile applications</td> <td>only for operation with central load-dump suppression (58 V) / not for active operation during motor start phase in 12 V systems</td> </tr> <tr> <td>ISO 10605 ESD</td> <td>8 kV CD / 15 kV AD</td> </tr> <tr> <td>ISO 11452-2, ISO 11452-5 radiated immunity</td> <td>100 V/m</td> </tr> <tr> <td>ISO 7637-2, ISO 16750-2 conducted immunity</td> <td>12 V / 24 V</td> </tr> <tr> <td>pulse</td> <td>1 2a 3a 3b 4 5b</td> </tr> <tr> <td>severity level</td> <td>III III III III III III 58V</td> </tr> <tr> <td>failure criterion</td> <td>B B B A A C/B A</td> </tr> <tr> <td>EN 55025</td> <td></td> </tr> </table>	industrial environments		EN 60947-5-3		EN 61000-4-2 ESD	6 kV CD / 8 kV AD	EN 61000-4-3 HF radiated	20 V/m	EN 61000-4-4 Burst	2 kV	EN 61000-4-5 Surge	2 kV	EN 61000-4-6 HF conducted	10 V	EN 61000-4-8	30 A/m 50/60 Hz / 1000 A/m 0 Hz	EN 55011	class B	mobile applications	only for operation with central load-dump suppression (58 V) / not for active operation during motor start phase in 12 V systems	ISO 10605 ESD	8 kV CD / 15 kV AD	ISO 11452-2, ISO 11452-5 radiated immunity	100 V/m	ISO 7637-2, ISO 16750-2 conducted immunity	12 V / 24 V	pulse	1 2a 3a 3b 4 5b	severity level	III III III III III III 58V	failure criterion	B B B A A C/B A	EN 55025	
industrial environments																																			
EN 60947-5-3																																			
EN 61000-4-2 ESD	6 kV CD / 8 kV AD																																		
EN 61000-4-3 HF radiated	20 V/m																																		
EN 61000-4-4 Burst	2 kV																																		
EN 61000-4-5 Surge	2 kV																																		
EN 61000-4-6 HF conducted	10 V																																		
EN 61000-4-8	30 A/m 50/60 Hz / 1000 A/m 0 Hz																																		
EN 55011	class B																																		
mobile applications	only for operation with central load-dump suppression (58 V) / not for active operation during motor start phase in 12 V systems																																		
ISO 10605 ESD	8 kV CD / 15 kV AD																																		
ISO 11452-2, ISO 11452-5 radiated immunity	100 V/m																																		
ISO 7637-2, ISO 16750-2 conducted immunity	12 V / 24 V																																		
pulse	1 2a 3a 3b 4 5b																																		
severity level	III III III III III III 58V																																		
failure criterion	B B B A A C/B A																																		
EN 55025																																			
Vibration resistance	EN 60068-2-6 Fc 20 g (10...3000 Hz) / 50 sweep cycles, 1 octave per minute, in 3 axes																																		
Broadband noise	EN 60068-2-64 h 5,9 g (10...2000 Hz) / effective acceleration for chassis mounting																																		
Shock resistance	EN 60068-2-27 Ea 100 g 11 ms half-sine; 3 shocks each in every direction of the 3 coordinate axes																																		
Continuous shock resistance	EN 60068-2-27 Ea 40 g 6 ms; 4000 shocks each in every direction of the 3 coordinate axes																																		
Fast temperature change	EN 60068-2-14 Na TA = -40°C; TB = 85°C; t1 = 30 min; t2 = 10 s 100 cycles																																		
Salt spray test	EN 60068-2-52 Kb severity level 5 (4 test cycles)																																		
MTTF [years]	781																																		
Safety classification																																			
Complies with the requirements	ISO 13849-1: 2015 category 2, PL d IEC 61508 SIL 2 IEC 62061 SIL 2																																		
Mission time TM [h]	≤ 87600																																		
Mission time TM (additional indication)	industrial environments Temperature range -25...70 °C ≤ 175200																																		
PFH [1/h]	< 5E-08																																		
Mechanical data																																			
Weight [g]	196.8																																		
Housing	threaded type																																		
Mounting	flush mountable																																		
Dimensions [mm]	M30 x 1.5 / L = 65																																		
Thread designation	M30 x 1.5																																		
Materials	threaded sleeve: brass white bronze coated; sensing face: LCP; LED window: PEI; lock nuts: brass white bronze coated																																		

# GI855S



## Fail-safe inductive sensor

GIK4010B2PO/SIL2/US

Tightening torque [Nm] < 50

### Displays / operating elements

Display Display switching status 4 LED, yellow

### Accessories

Items supplied lock nuts: 2

### Remarks

Remarks material for secure mounting not supplied; fixing must be done by the user  
meets the environmental and EMC requirements for operation in agricultural and forestry machinery, earthworks and construction machines as well as in industrial trucks  
Unless stated otherwise, all data refer to the reference target plate to IEC 60947-5-2 over the whole temperature range.  
(FE360 = ST37-2K) 30x30x1 mm

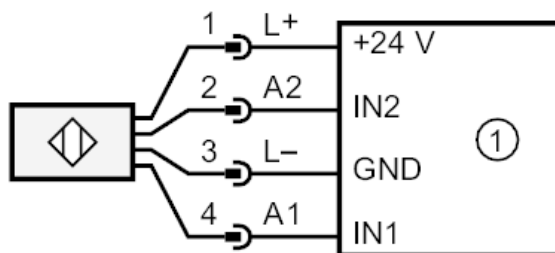
Pack quantity 1 pcs.

### Electrical connection - plug

Connector: 1 x M12; coding: A; Contacts: gold-plated



### Connection



1: safety-related logic unit