

HC-EVO-A10PT-BWSC-HH-M20-PLRBK - Connector set



1424454

<https://www.phoenixcontact.com/gb/products/1424454>

Please be informed that the data shown in this PDF document is generated from our online catalog. Please find the complete data in the user documentation. Our general terms of use for downloads are valid.



Connector set, number of positions: 10, material: PA, connection method: Push-in connection, connection cross section: AWG 26- 14

Commercial data

Item number	1424454
Packing unit	1 pc
Minimum order quantity	1 pc
Sales key	AF7AFX
Product key	AF7AFX
GTIN	4055626372839
Weight per piece (including packing)	267.4 g
Weight per piece (excluding packing)	267.4 g
Customs tariff number	85366990
Country of origin	CN

HC-EVO-A10PT-BWSC-HH-M20-PLRBK - Connector set



1424454

<https://www.phoenixcontact.com/gb/products/1424454>

Set consists of

HC-EVO-D15-HHFS-PL-BK - Housing

1411340

<https://www.phoenixcontact.com/gb/products/1411340>



Sleeve housing D15, for single locking latch, material: PA 6.6-FR, cable outlets: 1, straight/lateral, height: 65.5 mm, cable gland: none, Standard

HC-EVO-D15-BWSC-PLR-BK - Housing

1411337

<https://www.phoenixcontact.com/gb/products/1411337>



Panel mounting base D15, with single locking latch, material: PA 6.6-FR, protective cover material: PC, height: 26 mm, cable gland: none, protective cover: yes, Standard, with flat gasket

HC-EVO-A10PT-BWSC-HH-M20-PLRBK - Connector set



1424454

<https://www.phoenixcontact.com/gb/products/1424454>

HC-D-G-M20-PLRBK - Cable gland

1411350

<https://www.phoenixcontact.com/gb/products/1411350>



EVO plastic cable gland with bayonet locking, for housing series D, size M20, cable diameter: 7 mm ... 13 mm.

HC-A10-I-PT-M - Contact insert

1585359

<https://www.phoenixcontact.com/gb/products/1585359>



Contact insert, number of positions: 10+PE, size: D15, number of connections per position: 1, Pin, Push-in connection, 250 V, 16 A, 0.14 mm² ... 2.5 mm²

HC-EVO-A10PT-BWSC-HH-M20-PLRBK - Connector set



1424454

<https://www.phoenixcontact.com/gb/products/1424454>

HC-A10-I-PT-F - Contact insert

1585362

<https://www.phoenixcontact.com/gb/products/1585362>



Contact insert, number of positions: 10+PE, size: D15, number of connections per position: 1, Socket, Push-in connection, 250 V, 16 A, 0.14 mm² ... 2.5 mm²

HC-EVO-A10PT-BWSC-HH-M20-PLRBK - Connector set



1424454

<https://www.phoenixcontact.com/gb/products/1424454>

Technical data

Product properties

Product type	Connector set
Housing type	Complete housing
Application	Standard
Type	D15
Number of positions	10
No. of cable outlets	1
Protective cover	yes

Insulation characteristics

Overvoltage category	III
Degree of pollution	3

Electrical properties

Rated voltage (III/3)	250 V
Rated surge voltage	4 kV
Rated current	16 A

Connection data

Connection method	Push-in connection
Connection technology	Push-in connection
Conductor cross section	0.14 mm ² ... 2.5 mm ² (applies to stranded conductors with ferrules) 0.14 mm ² ... 2.5 mm ² (applies to stranded conductors with ferrules)
Connection cross section AWG	26 ... 14

Dimensions

Installation dimensions

Width of the assembly cutout	24 mm
Length of the assembly cutout	58 mm

Material specifications

Flammability rating according to UL 94	V0
Housing material	PA
Contact material	Copper alloy
Contact surface material	Ag
Contact carrier material	PC
Locking latch material	PA

Cable/line

External cable diameter	7 mm ... 13 mm
-------------------------	----------------

HC-EVO-A10PT-BWSC-HH-M20-PLRBK - Connector set



1424454

<https://www.phoenixcontact.com/gb/products/1424454>

Environmental and real-life conditions

Ambient conditions

Degree of protection	IP66
Enclosure rating (NEMA)	12 (UL 50e)
Impact strength	IK08
Ambient temperature (operation)	-40 °C ... 100 °C

HC-EVO-A10PT-BWSC-HH-M20-PLRBK - Connector set

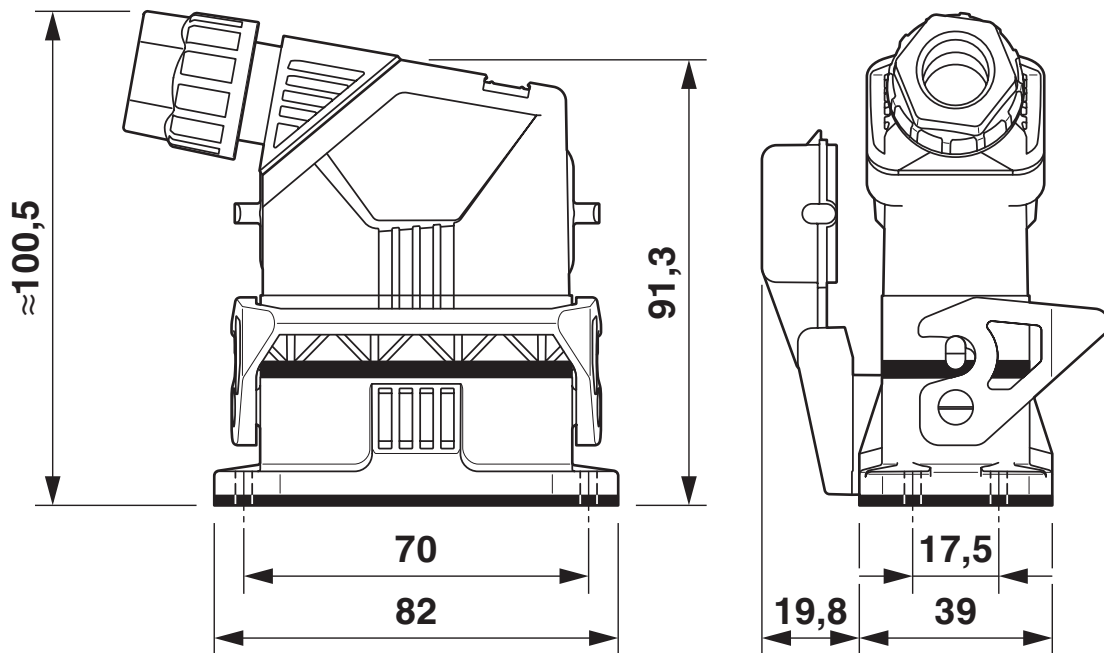


1424454

<https://www.phoenixcontact.com/gb/products/1424454>

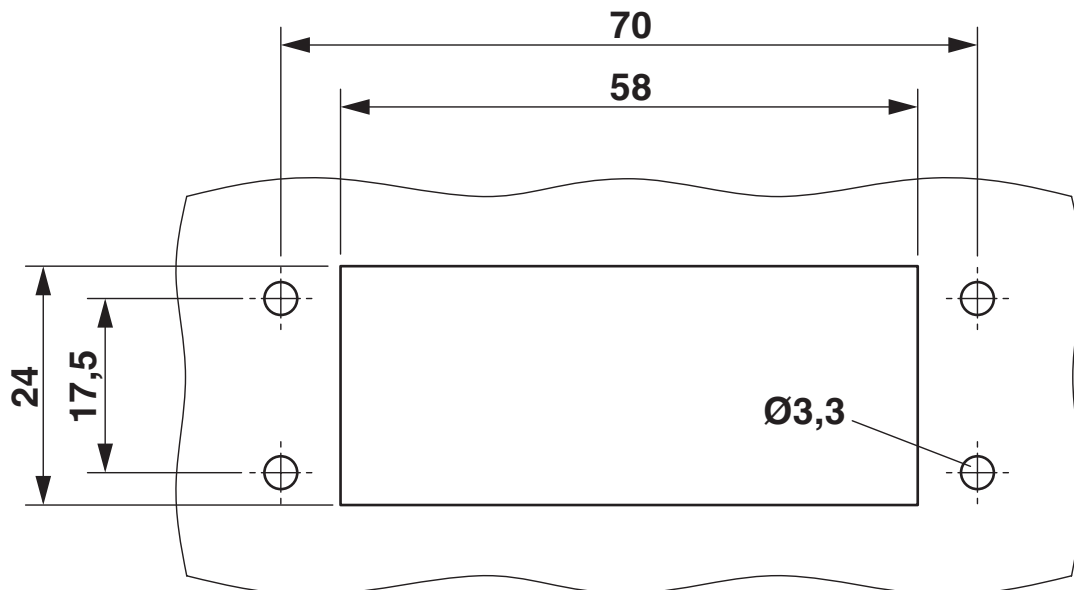
Drawings

Dimensional drawing



Dimensional drawing

Dimensional drawing



Mounting cutout

HC-EVO-A10PT-BWSC-HH-M20-PLRBK - Connector set



1424454

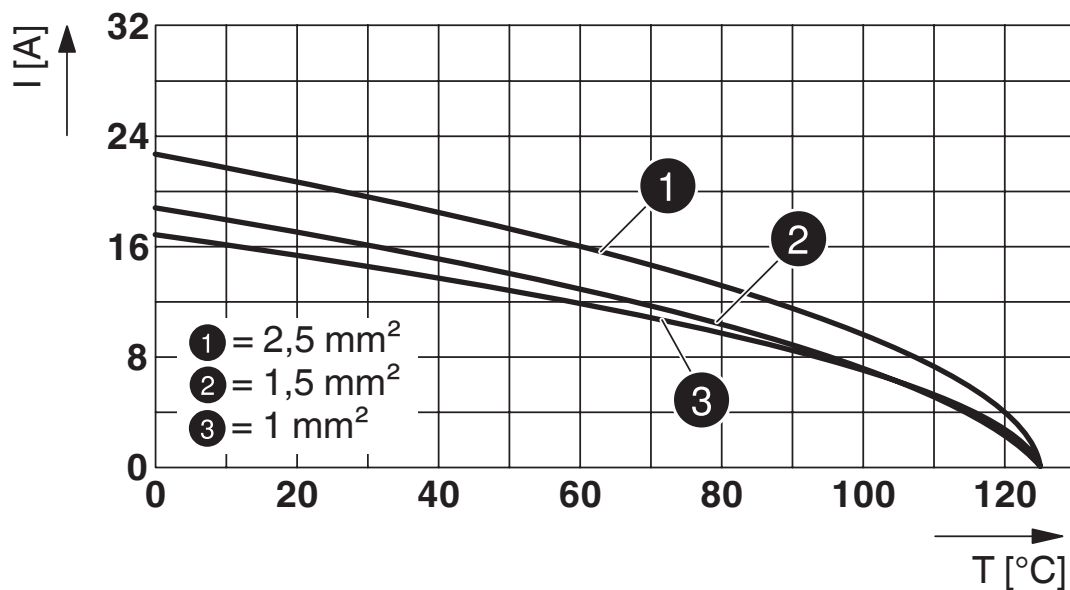
<https://www.phoenixcontact.com/gb/products/1424454>

Schematic diagram



Pin assignment, connection side, pin left, socket right

Diagram



Derating diagram

HC-EVO-A10PT-BWSC-HH-M20-PLRBK - Connector set



1424454

<https://www.phoenixcontact.com/gb/products/1424454>

Approvals

🔗 To download certificates, visit the product detail page: <https://www.phoenixcontact.com/gb/products/1424454>

DNV

Approval ID: TAE000037S

HC-EVO-A10PT-BWSC-HH-M20-PLRBK - Connector set



1424454

<https://www.phoenixcontact.com/gb/products/1424454>

Classifications

ECLASS

ECLASS-13.0	27440113
ECLASS-15.0	27440113

ETIM

ETIM 9.0	EC002636
----------	----------

UNSPSC

UNSPSC 21.0	39121400
-------------	----------

HC-EVO-A10PT-BWSC-HH-M20-PLRBK - Connector set



1424454

<https://www.phoenixcontact.com/gb/products/1424454>

Environmental product compliance

EU RoHS

Fulfills EU RoHS substance requirements	Yes, No exemptions
---	--------------------

China RoHS

Environment friendly use period (EFUP)	EFUP-E
	No hazardous substances above the limits

EU REACH SVHC

REACH candidate substance (CAS No.)	No substance above 0.1 wt%
-------------------------------------	----------------------------

Phoenix Contact 2025 © - all rights reserved
<https://www.phoenixcontact.com>

PHOENIX CONTACT Ltd
Halesfield 13, Telford
Shropshire, TF7 4PG
01952 681700
info@phoenixcontact.co.uk