

# RAD-ISM-2400-ANT-OMNI-6-0 - Antenna



2885919

<https://www.phoenixcontact.com/gb/products/2885919>

Please be informed that the data shown in this PDF document is generated from our online catalog. Please find the complete data in the user documentation. Our general terms of use for downloads are valid.

Omnidirectional antenna for wall or mast mounting, 2.4 GHz, gain: 6 dBi, degree of protection: IP67, saltwater-resistant, shock- and vibration-resistant, connection: N (female), incl. mounting bracket and mast clamps, ATEX and IECEx approval



## Your advantages

- Ideally suited for stationary 2.4 GHz applications
- For use in potentially explosive areas
- Salt water resistant

## Commercial data

Item number	2885919
Packing unit	1 pc
Minimum order quantity	1 pc
Sales key	DNN2Z1
Product key	DNN2Z1
GTIN	4046356146319
Weight per piece (including packing)	394.7 g
Weight per piece (excluding packing)	388.7 g
Customs tariff number	85177100
Country of origin	PL

## Technical data

### Notes

#### Note on application

Note on application	Only for industrial use
---------------------	-------------------------

#### Utilization restriction

CCCex note	Use in potentially explosive areas is not permitted in China.
------------	---

### Product properties

Product type	Antenna
Scope of supply	included mounting bracket and mast clamps
Radiation characteristics	Omnidirectional
Gain	6 dBi
Vertical beamwidth	30 °
Horizontal beamwidth	360 °
Polarization	Linear vertical

### Electrical properties

Frequency band	2.4 GHz
Frequency range	2.4 GHz ... 2.5 GHz
Impedance	50 Ω
Maximum capacity	25.00 W
Voltage standing wave ratio VSWR in a 50 Ω system	≤ 1.80

### Connection data

#### Connection technology

Connection method	N (female)
Outside diameter	25 mm ... 100 mm (Mast)

### Ex data

#### Safety data

Input voltage $U_i$	30 V
Input current $I_i$	600 mA
Max. internal inductance $L_i$	negligible
Capacitance $C_i$	negligible

### Dimensions

Height	250 mm
Diameter	22 mm

#### External dimensions

Outside diameter	25 mm ... 100 mm (Mast)
------------------	-------------------------

2885919

<https://www.phoenixcontact.com/gb/products/2885919>

## Material specifications

Material	Fiberglass-reinforced plastic
	V2A
	V2A
Flammability rating according to UL 94	HB

## Cable/line

Connecting cable	no
Other resistance	salt water resistant

## Environmental and real-life conditions

### Ambient conditions

Degree of protection	IP67
Ambient temperature (operation)	-40 °C ... 75 °C
Ambient temperature (storage/transport)	-40 °C ... 75 °C
Wind velocity	220 km/h

## Approvals

### Electronic devices in rail vehicles

Shock (operation)	IEC 60721-3-4, 4M5
Vibration (operation)	IEC 60721-3-4, 4M5 Random

## Standards and regulations

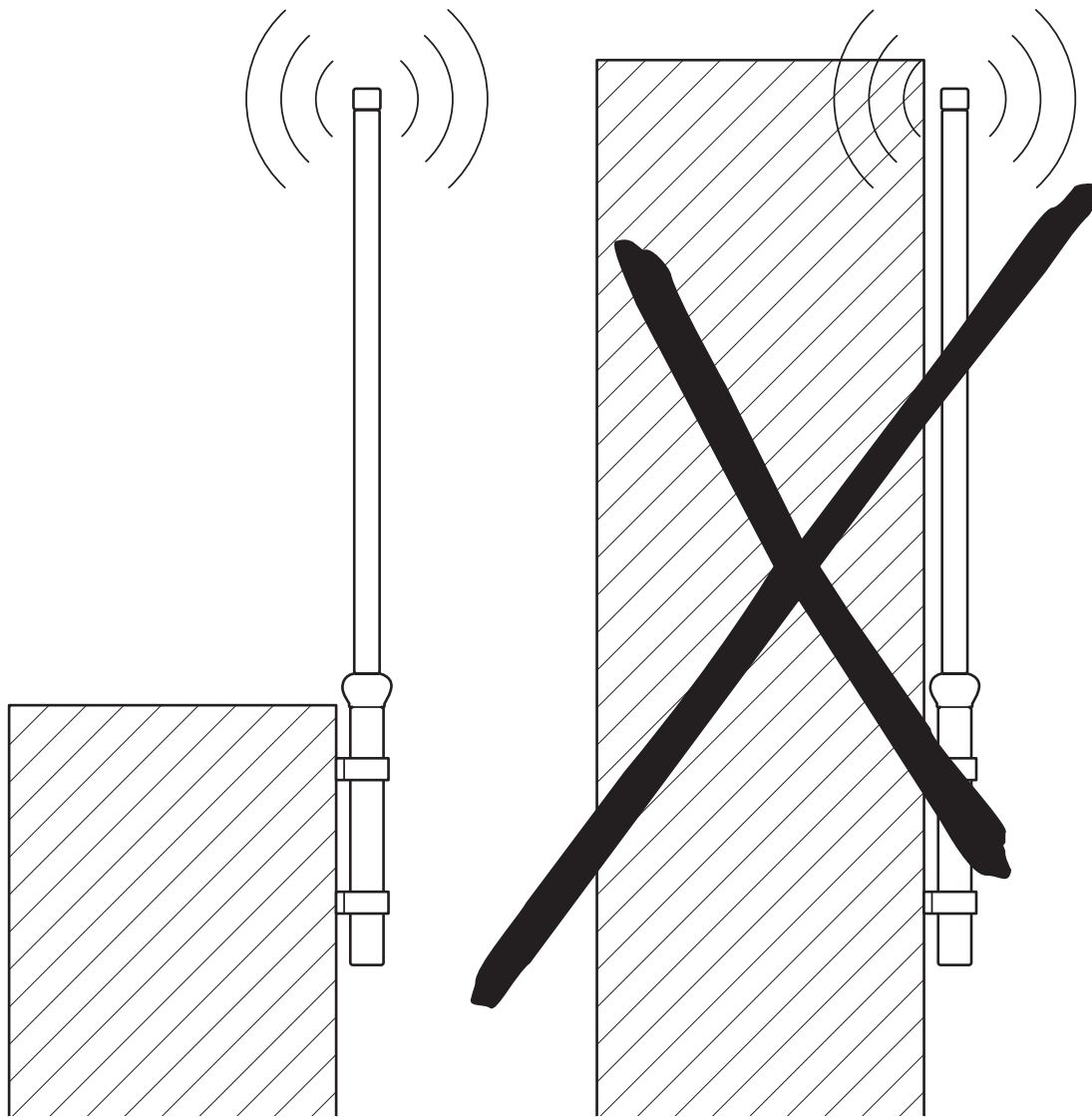
Other resistance	salt water resistant
Standards/specifications	EN 60079-0
	EN 60079-11
	EN 60079-26

## Mounting

Mounting type	Panel mounting
	Mast mounting
Assembly note	Outdoors and indoors

Drawings

Schematic diagram



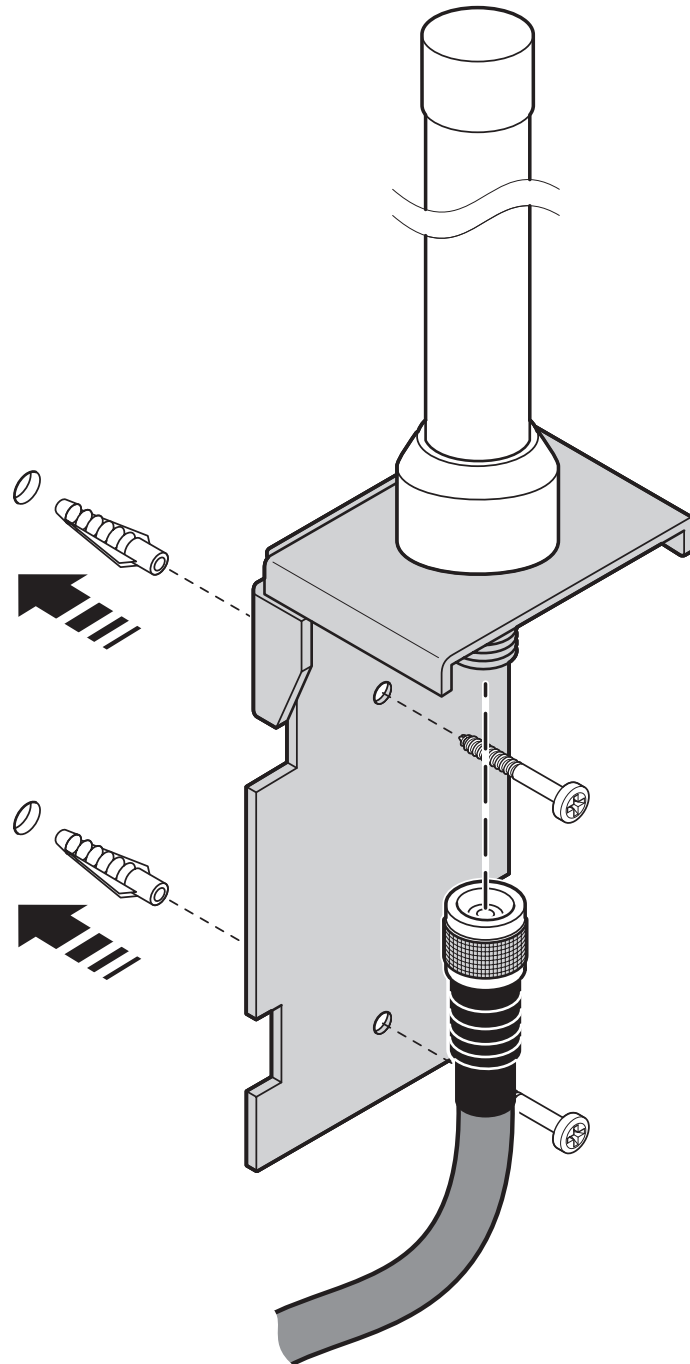
Panel mounting

# RAD-ISM-2400-ANT-OMNI-6-0 - Antenna

2885919

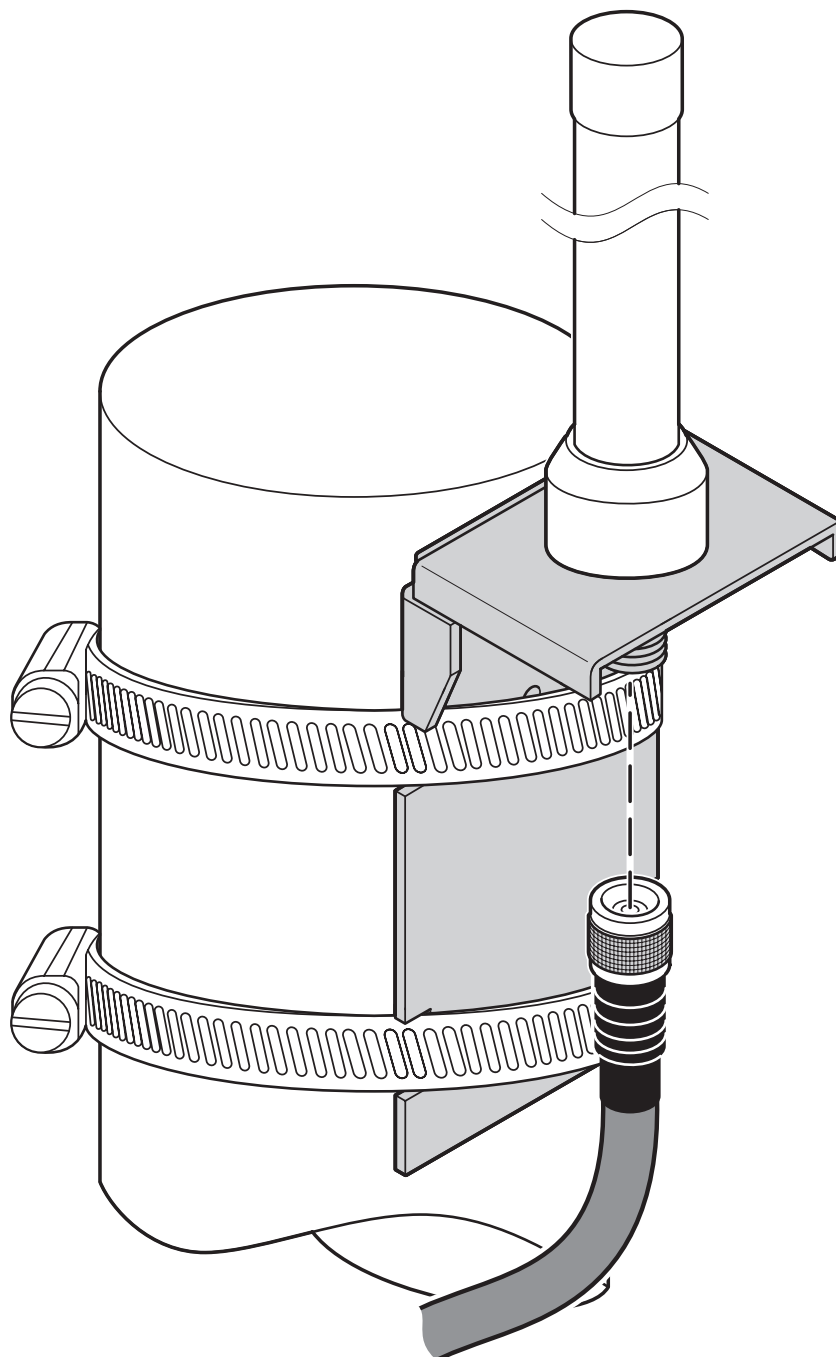
<https://www.phoenixcontact.com/gb/products/2885919>

Schematic diagram



Panel mounting

Schematic diagram



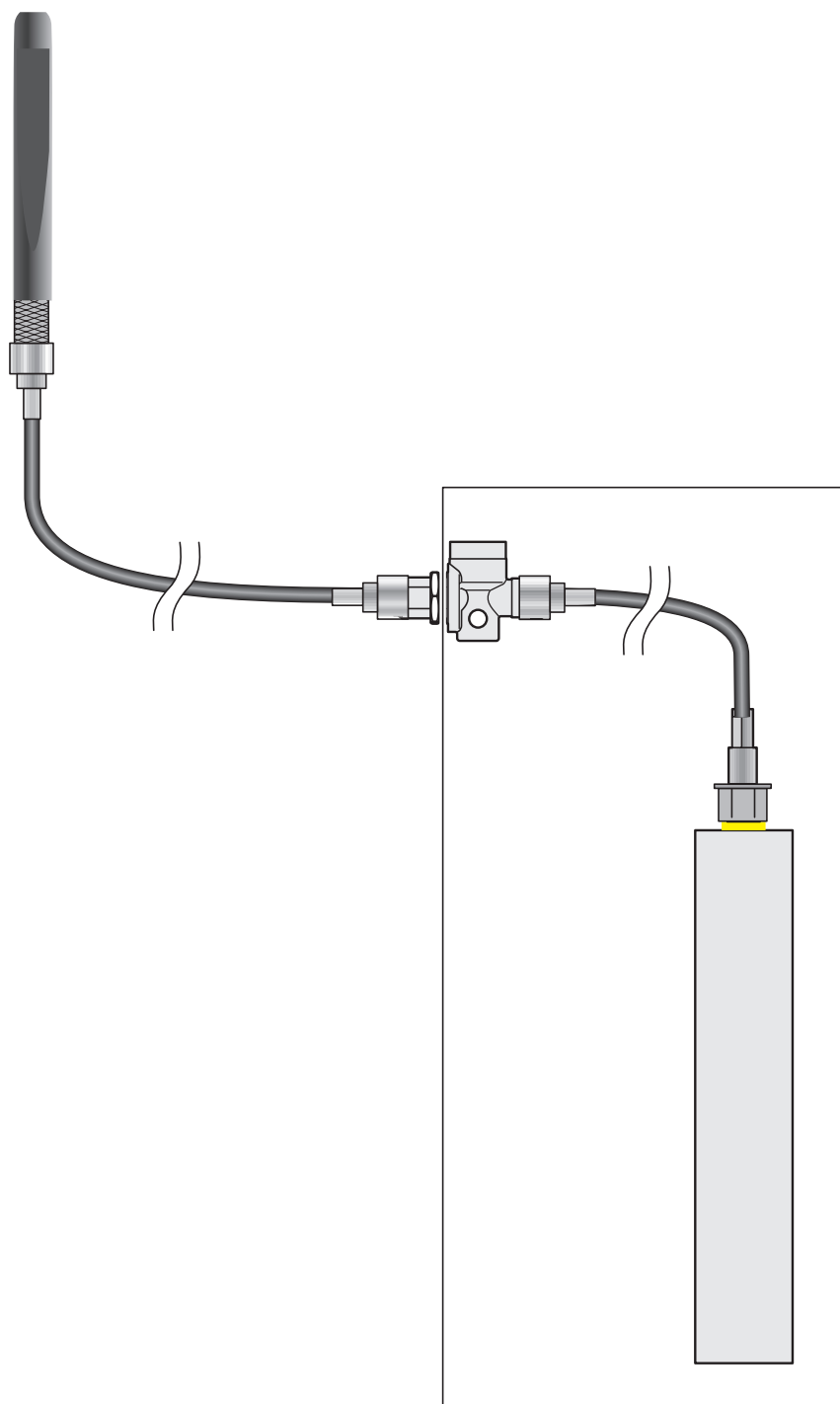
Mast mounting

# RAD-ISM-2400-ANT-OMNI-6-0 - Antenna

2885919

<https://www.phoenixcontact.com/gb/products/2885919>

Schematic diagram

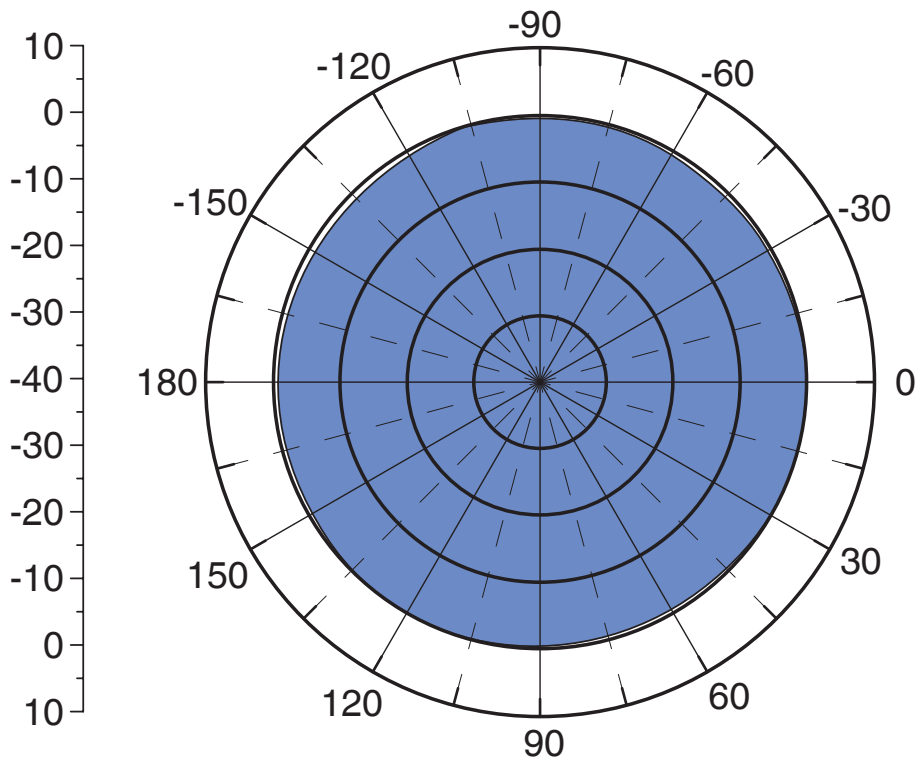


Installation example

2885919

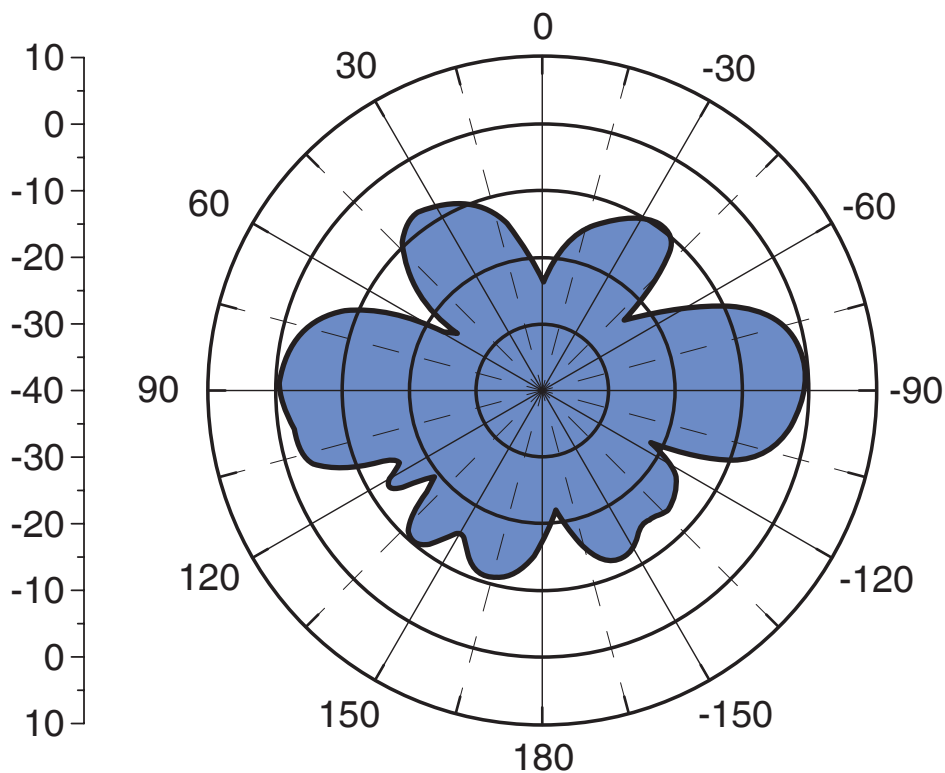
<https://www.phoenixcontact.com/gb/products/2885919>

Diagram



Horizontal

Diagram



Vertical

# RAD-ISM-2400-ANT-OMNI-6-0 - Antenna



2885919

<https://www.phoenixcontact.com/gb/products/2885919>

## Approvals

To download certificates, visit the product detail page: <https://www.phoenixcontact.com/gb/products/2885919>



**IECEx**

Approval ID: IECEx IBE 14.0039X



**ATEX**

Approval ID: IBExU 14 ATEX 1116 X

# RAD-ISM-2400-ANT-OMNI-6-0 - Antenna



2885919

<https://www.phoenixcontact.com/gb/products/2885919>

## Classifications

### ECLASS

ECLASS-13.0	19070105
ECLASS-15.0	19070105

### ETIM

ETIM 9.0	EC001698
----------	----------

### UNSPSC

UNSPSC 21.0	43223100
-------------	----------

2885919

<https://www.phoenixcontact.com/gb/products/2885919>

## Environmental product compliance

### EU RoHS

Fulfills EU RoHS substance requirements	Yes
Exemption	6(c)

### China RoHS

Environment friendly use period (EFUP)	EFUP-25
	An article-related China RoHS declaration table can be found in the download area for the respective article under "Manufacturer declaration". For all articles with EFUP-E, no China RoHS declaration table issued and required.

### EU REACH SVHC

REACH candidate substance (CAS No.)	Lead(CAS: 7439-92-1)
SCIP	86753522-f4e3-43de-85d3-3e51600a111f

Phoenix Contact 2025 © - all rights reserved

<https://www.phoenixcontact.com>

PHOENIX CONTACT Ltd  
Halesfield 13, Telford  
Shropshire, TF7 4PG  
01952 681700  
[info@phoenixcontact.co.uk](mailto:info@phoenixcontact.co.uk)