

# SACC-M 8MS-3QO-0,25-M - Connector



1441008

<https://www.phoenixcontact.com/gb/products/1441008>

Please be informed that the data shown in this PDF document is generated from our online catalog. Please find the complete data in the user documentation. Our general terms of use for downloads are valid.



Connector, Universal, 3-position, Plug straight M8, coding: A, Insulation displacement connection, knurl material: Zinc die-cast, nickel-plated, external cable diameter 2.5 mm ... 5 mm

## Your advantages

- Safe use in the field, thanks to a high degree of protection
- Insulation displacement connection: innovative and time-saving assembly without stripping the single wire

## Commercial data

|                                      |               |
|--------------------------------------|---------------|
| Item number                          | 1441008       |
| Packing unit                         | 1 pc          |
| Minimum order quantity               | 1 pc          |
| Sales key                            | AF2BCA        |
| Product key                          | AF2BCA        |
| GTIN                                 | 4046356515894 |
| Weight per piece (including packing) | 8.2 g         |
| Weight per piece (excluding packing) | 8 g           |
| Customs tariff number                | 85366990      |
| Country of origin                    | DE            |

# SACC-M 8MS-3QO-0,25-M - Connector

1441008

<https://www.phoenixcontact.com/gb/products/1441008>

## Technical data

### Notes

|               |   |
|---------------|---|
| Assembly note | <b>NOTE:</b> Observe the permissible bending radii when routing cables, since the degree of protection may be at risk if the bending forces are too high. Reduce mechanical loads upstream of the connector, e.g., by using cable ties. |
|---------------|---|

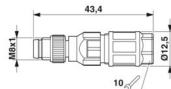
### Product properties

|                      |                                 |
|----------------------|---------------------------------|
| Product type         | Circular connector (cable-side) |
| Sensor type          | Universal                       |
| Number of positions  | 3                               |
| No. of cable outlets | 1                               |
| Shielded             | no                              |
| Coding               | A                               |
| Cable outlet         | straight                        |

### Insulation characteristics

|                      |    |
|----------------------|----|
| Overvoltage category | II |
| Degree of pollution  | 3  |

### Dimensions

|                     |  |
|---------------------|--|
| Dimensional drawing |  |
| Length              | 43.4 mm  |

### External dimensions

|                  |                         |
|------------------|-------------------------|
| Outside diameter | 2.5 mm ... 5 mm ±0.2 mm |
|------------------|-------------------------|

### Housing

|                  |         |
|------------------|---------|
| Diameter housing | 12.5 mm |
|------------------|---------|

### Material specifications

|  |                              |
|--|------------------------------|
| Flammability rating according to UL 94 | HB                           |
| Seal material                          | NBR                          |
| Material of grip body                  | PA 6                         |
| Contact material                       | CuSn                         |
| Contact surface material               | Ni/Au                        |
| Contact carrier material               | TPU GF                       |
| Material for screw connection          | Zinc die-cast, nickel-plated |
| Wire insulation material               | PVC / PE / PP / rubber       |

# SACC-M 8MS-3QO-0,25-M - Connector



1441008

<https://www.phoenixcontact.com/gb/products/1441008>

## Connection data

### Conductor connection

|                              |   |
|------------------------------|---|
| Connection method            | Insulation displacement connection            |
| Connection cross section     | 0.08 mm <sup>2</sup> ... 0.25 mm <sup>2</sup> |
| Connection cross section AWG | 28 ... 24                                     |
| Tightening torque            | 0.6 Nm (Pressure nut)<br>0.2 Nm (M8 knurl)    |

### Connection assignment

|   |                            |
|---|----------------------------|
| Contact   Color (signal designation)   Contact (optional) | 1 = BN<br>3 = BU<br>4 = BK |
|---|----------------------------|

## Electrical properties

|                                |                    |
|--------------------------------|--------------------|
| Rated surge voltage            | 0.8 kV             |
| Contact resistance             | ≤ 5 mΩ             |
| Insulation resistance          | ≥ 100 MΩ           |
| Nominal voltage U <sub>N</sub> | 48 V AC<br>60 V DC |
| Nominal current I <sub>N</sub> | 4 A                |

## Mechanical properties

### Mechanical data

|                             |       |
|-----------------------------|-------|
| Insertion/withdrawal cycles | ≥ 100 |
|-----------------------------|-------|

## Connector

### Connection 1

|                   |          |
|-------------------|----------|
| Head design       | Plug     |
| Head cable outlet | straight |
| Head thread type  | M8       |
| Coding            | A        |

## Cable/line

|                         |                 |
|-------------------------|-----------------|
| Signal type/category    | Universal       |
| External cable diameter | 2.5 mm ... 5 mm |

## Environmental and real-life conditions

### Ambient conditions

|   |                                  |
|---|----------------------------------|
| Degree of protection  | IP65<br>IP67                     |
| Ambient temperature (operation) (male connector/female connector) | -25 °C ... 80 °C (Plug / socket) |

# SACC-M 8MS-3QO-0,25-M - Connector



1441008

<https://www.phoenixcontact.com/gb/products/1441008>

## Standards and regulations

M8

|                          |                 |
|--------------------------|-----------------|
| Standard designation     | M8 connector    |
| Standards/specifications | IEC 61076-2-104 |

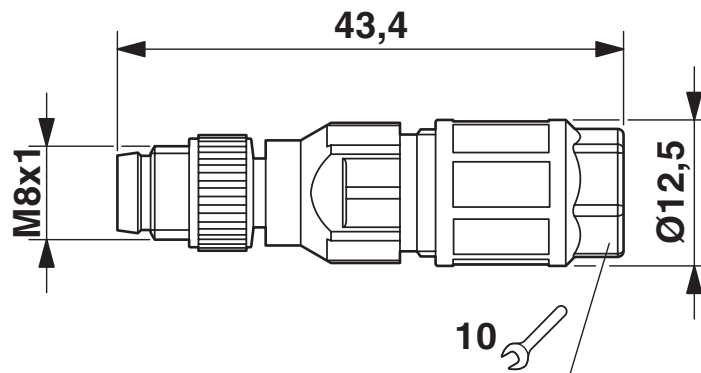
# SACC-M 8MS-3QO-0,25-M - Connector

1441008

<https://www.phoenixcontact.com/gb/products/1441008>

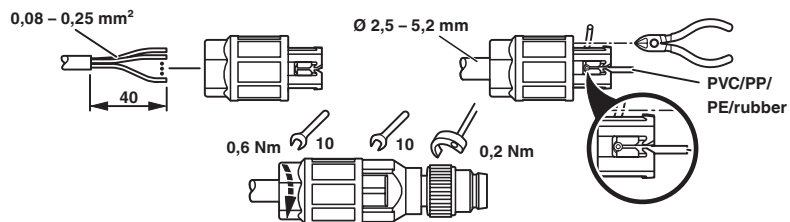
## Drawings

Dimensional drawing



M8 x 1 male plug, straight version

Functional drawing



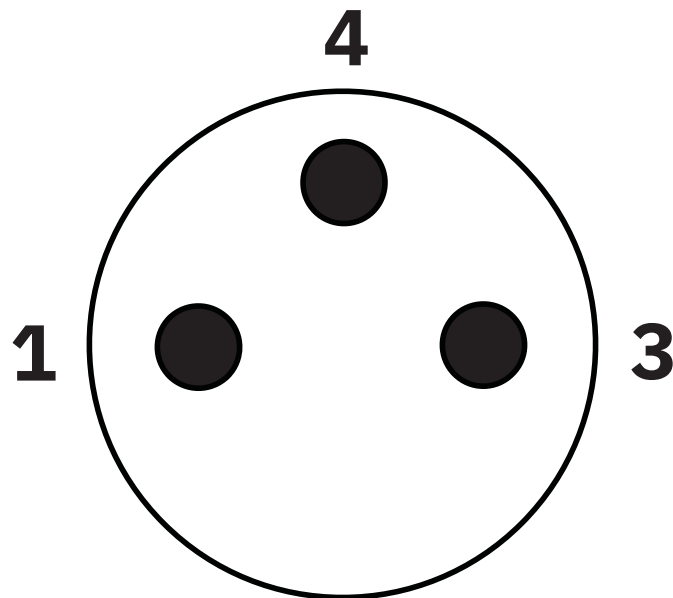
# SACC-M 8MS-3QO-0,25-M - Connector

1441008

<https://www.phoenixcontact.com/gb/products/1441008>



Schematic diagram



Pin assignment M8 plug, 3-pos., view male side

# SACC-M 8MS-3QO-0,25-M - Connector



1441008

<https://www.phoenixcontact.com/gb/products/1441008>

## Approvals

To download certificates, visit the product detail page: <https://www.phoenixcontact.com/gb/products/1441008>



**cUL Recognized**  
Approval ID: E118976



**UL Recognized**  
Approval ID: E118976



**EAC**  
Approval ID: RU C-DE.AI30.B.01102

# SACC-M 8MS-3QO-0,25-M - Connector



1441008

<https://www.phoenixcontact.com/gb/products/1441008>

## Classifications

### ECLASS

|             |          |
|-------------|----------|
| ECLASS-13.0 | 27440116 |
| ECLASS-15.0 | 27440116 |

### ETIM

|          |          |
|----------|----------|
| ETIM 9.0 | EC002635 |
|----------|----------|

### UNSPSC

|             |          |
|-------------|----------|
| UNSPSC 21.0 | 39121400 |
|-------------|----------|

# SACC-M 8MS-3QO-0,25-M - Connector



1441008

<https://www.phoenixcontact.com/gb/products/1441008>

## Environmental product compliance

### EU RoHS

|   |                    |
|---|--------------------|
| Fulfills EU RoHS substance requirements | Yes, No exemptions |
|---|--------------------|

### China RoHS

|  |  |
|--|--|
| Environment friendly use period (EFUP) | EFUP-E                                   |
|  | No hazardous substances above the limits |

### EU REACH SVHC

|                                     |                            |
|-------------------------------------|----------------------------|
| REACH candidate substance (CAS No.) | No substance above 0.1 wt% |
|-------------------------------------|----------------------------|

### EF3.0 Climate Change

|         |               |
|---------|---------------|
| CO2e kg | 0.509 kg CO2e |
|---------|---------------|

Phoenix Contact 2025 © - all rights reserved  
<https://www.phoenixcontact.com>

PHOENIX CONTACT Ltd  
Halesfield 13, Telford  
Shropshire, TF7 4PG  
01952 681700  
[info@phoenixcontact.co.uk](mailto:info@phoenixcontact.co.uk)