

PSR-SCP- 24UC/ESL4/3X1/1X2/B - Safety relays



2981059

<https://www.phoenixcontact.com/gb/products/2981059>

Please be informed that the data shown in this PDF document is generated from our online catalog. Please find the complete data in the user documentation. Our general terms of use for downloads are valid.



Safety relay for emergency stop, safety doors, and light grids up to SIL 3, Cat. 4, PL e, 1 or 2-channel operation, automatic or manual, monitored start, 3 enabling current paths, $U_S = 24 \text{ V DC}$, plug-in screw terminal block

Your advantages

- Manually monitored and automatic activation
- Up to Cat. 4/PL e in accordance with ISO 13849-1, SIL 3 in accordance with EN IEC 62061, SIL 3 in accordance with IEC 61508
- Three enabling and one signaling current path
- 1- and 2-channel control

Commercial data

| | |
|--------------------------------------|---------------|
| Item number | 2981059 |
| Packing unit | 1 pc |
| Minimum order quantity | 1 pc |
| Sales key | DNA123 |
| Product key | DNA123 |
| GTIN | 4017918927202 |
| Weight per piece (including packing) | 193 g |
| Weight per piece (excluding packing) | 193 g |
| Customs tariff number | 85371098 |
| Country of origin | DE |

Technical data

Notes

Note on application

| | |
|---------------------|-------------------------|
| Note on application | Only for industrial use |
|---------------------|-------------------------|

Product properties

| | |
|-------------------------|--|
| Product type | Safety relays |
| Product family | PSRclassic |
| Application | Emergency stop Safety door Light grid |
| Control | 1 and 2 channel |
| Mechanical service life | approx. 10^7 cycles |
| Relay type | Electromechanical relay with force-guided contacts in accordance with IEC/EN 61810-3 |

Insulation characteristics

| | |
|----------------------|-----|
| Overvoltage category | III |
| Degree of pollution | 2 |

Times

| | |
|-------------------------------|---|
| Typical response time | 125 ms (automatic start) |
| | 110 ms (manual, monitored start) |
| Typ. starting time with U_S | 125 ms (when controlled via A1) |
| Typical release time | 10 ms (on demand via the sensor circuit) |
| | 45 ms (on demand via A1) |
| Restart time | < 1 s (Boot time) |
| Recovery time | 1 s (following demand of the safety function) |
| Start pulse length | ≥ 500 ms (manual start) |

Electrical properties

| | |
|---|---|
| Maximum power dissipation for nominal condition | 16.44 W (at $U_S = 26.4$ V, $I_L^2 = 72$ A ² ; $P_{Total\ max} = 2.04$ W + 14.4 W) |
| Nominal operating mode | 100% operating factor |
| Rated insulation voltage | 250 V |
| Rated surge voltage/insulation | See data sheet, section "Insulation coordination". |

Supply

| | |
|--|---|
| Designation | A1/A2 |
| Rated control circuit supply voltage U_S | 24 V DC -15 % / +10 % |
| Rated control supply current I_S | typ. 70 mA (at U_S) |
| Power consumption at U_S | typ. 1.68 W |
| Inrush current | < 3.5 A (typ. with U_S , $\Delta t = 3$ ms) |
| Filter time | 5 ms (in the event of voltage dips at U_S , no test pulses allowed) |
| Protective circuit | Serial protection against polarity reversal; Suppressor diode |

Input data

Digital: Logic (S12, S22)

| | |
|---|--|
| Description of the input | safety-related |
| Number of inputs | 2 |
| Input voltage range "0" signal | 0 V DC ... 5 V DC |
| Input voltage range "1" signal | 20.4 V ... 26.4 V |
| Input current range "0" signal | 0 mA ... 2 mA |
| Inrush current | max. 110 mA (typ. with U_S , $\Delta t = 3$ ms) |
| Filter time | max. 2 ms (Test pulse width low test pulses, at 100 ms test pulse rate) No brightness test pulses / high test pulses permitted. |
| Concurrence | ∞ |
| Max. permissible overall conductor resistance | 50 Ω |
| Protective circuit | Suppressor diode |
| Current consumption | 38 mA (typ. with U_S) |

Digital: Start circuit (S34, S35)

| | |
|---|--|
| Description of the input | non-safety-related |
| Number of inputs | 2 |
| Input voltage range "1" signal | 20.4 V ... 26.4 V |
| Inrush current | < 6 mA (typ. with U_S at S34/S35, $\Delta t = 70$ ms) |
| Filter time | No test pulses permitted |
| Max. permissible overall conductor resistance | 50 Ω |
| Protective circuit | Suppressor diode |
| Current consumption | 0 mA (typ. with U_S at S34) 1 mA (typ. with U_S at S35) |

Output data

Relay: Enabling current paths (13/14, 23/24, 33/34)

| | |
|-----------------------------|---|
| Output description | 2 N/O contacts each in series, safety-related, floating |
| Number of outputs | 3 |
| Contact switching type | 3 enabling current paths |
| Contact material | AgSnO ₂ |
| Switching voltage | min. 10 V max. 250 V AC/DC |
| Switching capacity | min. 100 mW |
| Inrush current | min. 10 mA max. 6 A |
| Limiting continuous current | 6 A (Observe derating and load limit curve) |
| Sq. Total current | 72 A ² (observe derating) |
| Switching frequency | max. 0.5 Hz |
| Mechanical service life | 10x 10 ⁶ cycles |
| Output fuse | 10 A gL/gG |

PSR-SCP- 24UC/ESL4/3X1/1X2/B - Safety relays



2981059

<https://www.phoenixcontact.com/gb/products/2981059>

| | |
|---------------------------------------|---|
| | 4 A gL/gG (for low-demand applications) |
| Relay: Signaling current path (41/42) | |
| Output description | 2 N/C contacts parallel, non-safety-related, floating |
| Number of outputs | 1 |
| Contact switching type | 1 signaling current path |
| Contact material | AgSnO ₂ |
| Switching voltage | min. 10 V AC/DC max. 250 V AC/DC |
| Switching capacity | min. 100 mW |
| Inrush current | min. 10 mA max. 6 A |
| Limiting continuous current | 6 A |
| Sq. Total current | 36 A ² (observe derating) |
| Switching frequency | max. 0.5 Hz |
| Mechanical service life | 10x 10 ⁶ cycles |
| Output fuse | 6 A gL/gG |

Connection data

Connection technology

| | |
|-----------|-----|
| pluggable | yes |
|-----------|-----|

Conductor connection

| | |
|----------------------------------|---|
| Connection method | Screw connection |
| Conductor cross-section rigid | 0.2 mm ² ... 2.5 mm ² |
| Conductor cross-section flexible | 0.2 mm ² ... 2.5 mm ² |
| Conductor cross-section AWG | 24 ... 12 |
| Stripping length | 7 mm |
| Screw thread | M3 |
| Tightening torque | 0.5 Nm ... 0.6 Nm |

Signaling

| | |
|---------------------------|-----------------|
| Status display | 2 x LED (green) |
| Operating voltage display | 1 x LED (green) |

Dimensions

| | |
|--------|----------|
| Width | 22.5 mm |
| Height | 99 mm |
| Depth | 114.5 mm |

Material specifications

| | |
|------------------|-------------------|
| Color (Housing) | yellow (RAL 1018) |
| Housing material | PA |

Characteristics

PSR-SCP- 24UC/ESL4/3X1/1X2/B - Safety relays



2981059

<https://www.phoenixcontact.com/gb/products/2981059>

Safety data

| | |
|---------------|---|
| Stop category | 0 |
|---------------|---|

Safety data: EN ISO 13849

| | |
|------------------------|--|
| Category | 4 |
| Performance level (PL) | e (5 A DC13; 5 A AC15; 8760 switching cycles/year) |

Safety data: IEC 61508 - High demand

| | |
|------------------------------|---|
| Safety Integrity Level (SIL) | 3 |
|------------------------------|---|

Safety data: IEC 61508 - Low demand

| | |
|------------------------------|---|
| Safety Integrity Level (SIL) | 3 |
|------------------------------|---|

Safety data: EN IEC 62061

| | |
|------------------------------|---|
| Safety Integrity Level (SIL) | 3 |
|------------------------------|---|

Environmental and real-life conditions

Ambient conditions

| | |
|--|---|
| Degree of protection | IP20 |
| Min. degree of protection of inst. location | IP54 |
| Ambient temperature (operation) | -20 °C ... 55 °C (observe derating) |
| Ambient temperature (storage/transport) | -40 °C ... 70 °C |
| Maximum altitude | ≤ 2000 m (Above sea level) |
| Max. permissible humidity (storage/transport) | 75 % (on average, 85% infrequently, non-condensing) |
| Max. permissible relative humidity (operation) | 75 % (on average, 85% infrequently, non-condensing) |
| Shock | 15g |
| Vibration (operation) | 10 Hz ... 150 Hz, amplitude 0.15 mm, 2g |

Approvals

CE

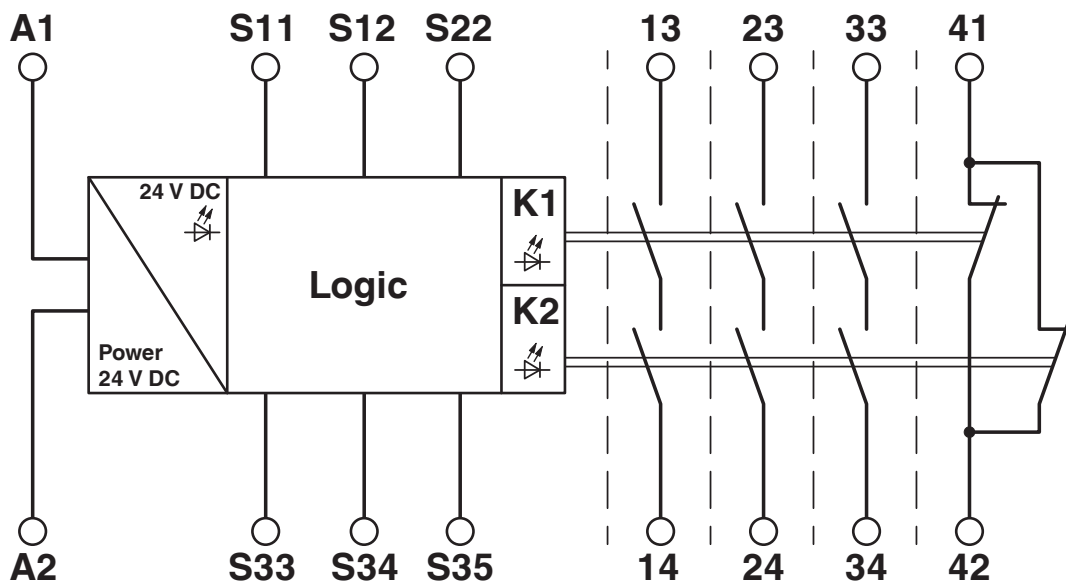
| | |
|----------------|--------------|
| Identification | CE-compliant |
|----------------|--------------|

Mounting

| | |
|-------------------|------------------------|
| Mounting type | DIN rail mounting |
| Assembly note | See derating curve |
| Mounting position | vertical or horizontal |

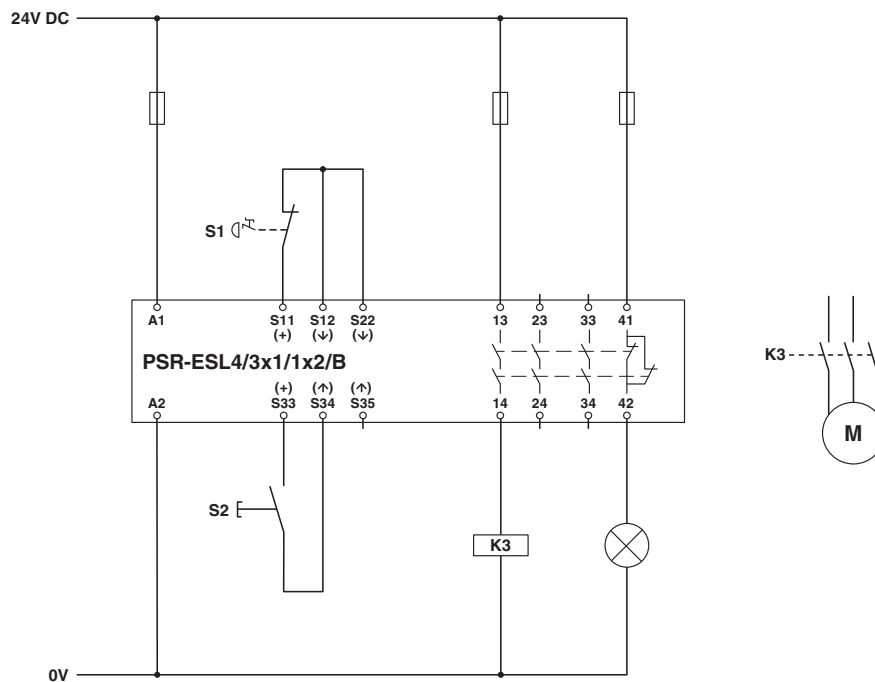
Drawings

Circuit diagram



Block diagram

Circuit diagram



Single-channel safety door monitoring

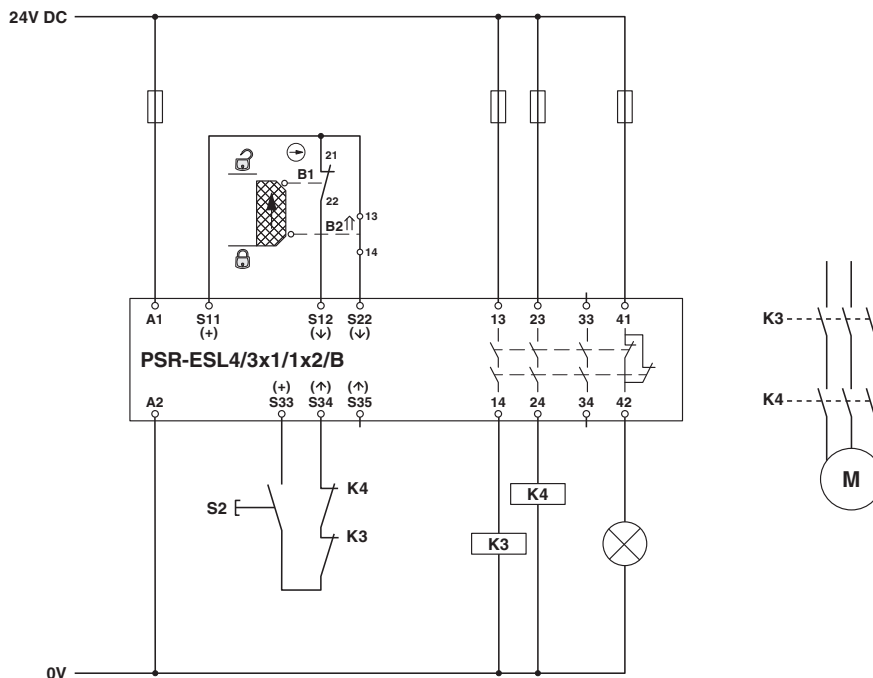
PSR-SCP- 24UC/ESL4/3X1/1X2/B - Safety relays



2981059

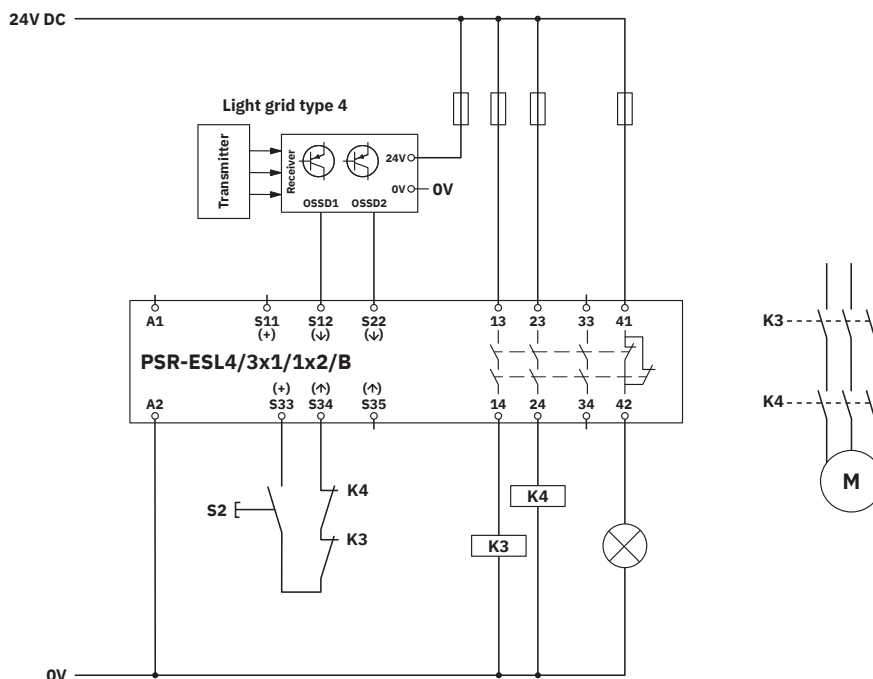
<https://www.phoenixcontact.com/gb/products/2981059>

Circuit diagram



Two-channel safety door monitoring

Circuit diagram



Light grid monitoring

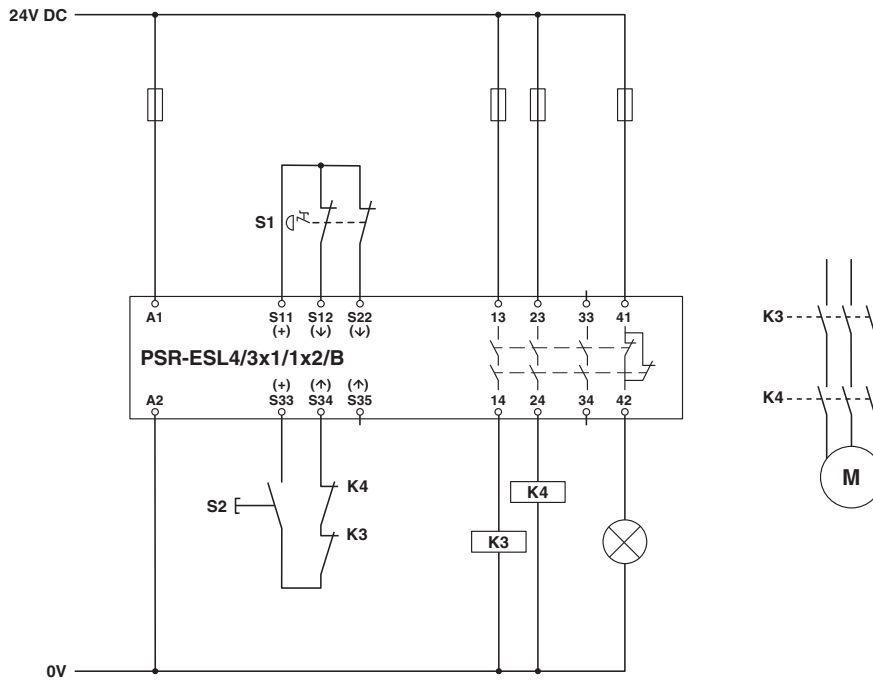
PSR-SCP- 24UC/ESL4/3X1/1X2/B - Safety relays



2981059

<https://www.phoenixcontact.com/gb/products/2981059>

Circuit diagram



2-channel emergency stop monitoring

2981059

<https://www.phoenixcontact.com/gb/products/2981059>

Approvals

To download certificates, visit the product detail page: <https://www.phoenixcontact.com/gb/products/2981059>



cULus Listed

Approval ID: E140324



cULus Listed

Approval ID: E140324



Functional Safety

Approval ID: 01/205/5265.04/23



Functional Safety

Approval ID: 01/205/5265.04/23

2981059

<https://www.phoenixcontact.com/gb/products/2981059>

Classifications

ECLASS

| | |
|-------------|----------|
| ECLASS-13.0 | 27371819 |
| ECLASS-15.0 | 27371819 |

ETIM

| | |
|----------|----------|
| ETIM 9.0 | EC001449 |
|----------|----------|

UNSPSC

| | |
|-------------|----------|
| UNSPSC 21.0 | 39122200 |
|-------------|----------|

2981059

<https://www.phoenixcontact.com/gb/products/2981059>

Environmental product compliance

EU RoHS

| | |
|---|--------------|
| Fulfills EU RoHS substance requirements | Yes |
| Exemption | 7(a), 7(c)-I |

China RoHS

| | |
|--|---|
| Environment friendly use period (EFUP) | EFUP-50 |
| | An article-related China RoHS declaration table can be found in the download area for the respective article under "Manufacturer declaration". For all articles with EFUP-E, no China RoHS declaration table issued and required. |

EU REACH SVHC

| | |
|-------------------------------------|--------------------------------------|
| REACH candidate substance (CAS No.) | Lead(CAS: 7439-92-1) |
| SCIP | 8c3db85c-8969-449e-86af-0a14d7f5919c |

EF3.0 Climate Change

| | |
|---------|---------------|
| CO2e kg | 7.133 kg CO2e |
|---------|---------------|

Phoenix Contact 2025 © - all rights reserved
<https://www.phoenixcontact.com>

PHOENIX CONTACT Ltd
Halesfield 13, Telford
Shropshire, TF7 4PG
01952 681700
info@phoenixcontact.co.uk