

# SAC-3P-Y/2XFS PE SCO - Y distributor



1523971

<https://www.phoenixcontact.com/gb/products/1523971>

Please be informed that the data shown in this PDF document is generated from our online catalog. Please find the complete data in the user documentation. Our general terms of use for downloads are valid.



Y distributor, 4-position, Plug straight M12 SPEEDCON, coding: A, on Socket straight M12 SPEEDCON, coding: A and Socket straight M12 SPEEDCON, coding: A

## Commercial data

|                                      |               |
|--------------------------------------|---------------|
| Item number                          | 1523971       |
| Packing unit                         | 5 pc          |
| Minimum order quantity               | 5 pc          |
| Sales key                            | AF1GAB        |
| Product key                          | AF1GAB        |
| GTIN                                 | 4046356127509 |
| Weight per piece (including packing) | 28.53 g       |
| Weight per piece (excluding packing) | 24 g          |
| Customs tariff number                | 85366990      |
| Country of origin                    | PL            |

# SAC-3P-Y/2XFS PE SCO - Y distributor

1523971

<https://www.phoenixcontact.com/gb/products/1523971>

## Technical data

### Notes

|         |  |
|---------|--|
| General | with center distance of 18 mm, suitable for molded connectors and unshielded connectors that can be assembled with QUICKON IDC terminal block connection technology and a connection range of 0.14 mm <sup>2</sup> to 0.34 mm <sup>2</sup> |
|---------|--|

### Product properties

|                      |               |
|----------------------|---------------|
| Product type         | Y-distributor |
| Number of positions  | 4             |
| No. of cable outlets | 2             |
| Shielded             | no            |
| Coding               | A             |
| Thread type          | M12           |

### Insulation characteristics

|                      |    |
|----------------------|----|
| Overvoltage category | II |
| Degree of pollution  | 3  |

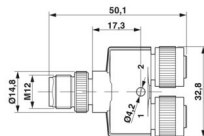
### Electrical properties

|                                |          |
|--------------------------------|----------|
| Insulation resistance          | ≥ 100 MΩ |
| Nominal voltage U <sub>N</sub> | 48 V AC  |
|                                | 60 V DC  |
| Nominal current I <sub>N</sub> | 4 A      |

### Signaling

|                        |    |
|------------------------|----|
| Status display         | no |
| Status display present | no |

### Dimensions

|                     |  |
|---------------------|--|
| Dimensional drawing |  |
| Width               | 33 mm  |
| Height              | 14.8 mm  |
| Length              | 50.1 mm  |
| Center distance     | 18 mm  |

### Material specifications

|  |   |
|--|---|
| Flammability rating according to UL 94 | HB  |
| Seal material                          | NBR   |
| Material of grip body                  | TPU, hardly inflammable, self-extinguishing |

# SAC-3P-Y/2XFS PE SCO - Y distributor



1523971

<https://www.phoenixcontact.com/gb/products/1523971>

|                               |                              |
|-------------------------------|------------------------------|
| Contact material              | CuZn                         |
| Contact surface material      | Ni/Au                        |
| Contact carrier material      | TPU GF                       |
| Material for screw connection | Zinc die-cast, nickel-plated |

## Connector

### Connection 1

|              |                            |
|--------------|----------------------------|
| Type         | Plug straight M12 SPEEDCON |
| Locking type | SPEEDCON                   |
| Coding type  | A                          |

### Connection 2

|              |                              |
|--------------|------------------------------|
| Type         | Socket straight M12 SPEEDCON |
| Locking type | SPEEDCON                     |
| Coding type  | A                            |

### Connection 3

|              |                              |
|--------------|------------------------------|
| Type         | Socket straight M12 SPEEDCON |
| Locking type | SPEEDCON                     |
| Coding type  | A                            |

## Mechanical properties

### Mechanical data

|                             |       |
|-----------------------------|-------|
| Insertion/withdrawal cycles | ≥ 100 |
|-----------------------------|-------|

## Environmental and real-life conditions

### Ambient conditions

|   |                                  |
|---|----------------------------------|
| Degree of protection  | IP65                             |
|   | IP67                             |
| Ambient temperature (operation) (male connector/female connector) | -25 °C ... 90 °C (Plug / socket) |

## Standards and regulations

|                          |                 |
|--------------------------|-----------------|
| Standard designation     | M12 connector   |
| Standards/specifications | IEC 61076-2-101 |

# SAC-3P-Y/2XFS PE SCO - Y distributor

1523971

<https://www.phoenixcontact.com/gb/products/1523971>

## Drawings

Dimensional drawing



Plug M12 x 1, Y distributor

Schematic diagram



Pin assignment M12 male connector, 5-pos., A-coded, male side

# SAC-3P-Y/2XFS PE SCO - Y distributor

1523971

<https://www.phoenixcontact.com/gb/products/1523971>

Schematic diagram



Pin assignment socket M 12, 3-pos. + PE

Schematic diagram



Layout of connector pin assignments

# SAC-3P-Y/2XFS PE SCO - Y distributor

1523971

<https://www.phoenixcontact.com/gb/products/1523971>



Contact assignment of the M12 Y distributor

# SAC-3P-Y/2XFS PE SCO - Y distributor



1523971

<https://www.phoenixcontact.com/gb/products/1523971>

## Approvals

To download certificates, visit the product detail page: <https://www.phoenixcontact.com/gb/products/1523971>



**EAC**

Approval ID: RU C-DE.AI30.B.01102



**UL Listed**

Approval ID: E221474

|       | Nominal voltage $U_N$ | Nominal current $I_N$ | Cross section AWG | Cross section $\text{mm}^2$ |
|-------|-----------------------|-----------------------|-------------------|-----------------------------|
| keine |                       |                       |                   |                             |
|       | 30 V                  | 4 A                   | -                 | -                           |



**cUL Listed**

Approval ID: E221474

|       | Nominal voltage $U_N$ | Nominal current $I_N$ | Cross section AWG | Cross section $\text{mm}^2$ |
|-------|-----------------------|-----------------------|-------------------|-----------------------------|
| keine |                       |                       |                   |                             |
|       | 30 V                  | 4 A                   | -                 | -                           |

# SAC-3P-Y/2XFS PE SCO - Y distributor



1523971

<https://www.phoenixcontact.com/gb/products/1523971>

## Classifications

### ECLASS

|             |          |
|-------------|----------|
| ECLASS-13.0 | 27440106 |
| ECLASS-15.0 | 27440106 |

### ETIM

|          |          |
|----------|----------|
| ETIM 9.0 | EC002925 |
|----------|----------|

### UNSPSC

|             |          |
|-------------|----------|
| UNSPSC 21.0 | 31251500 |
|-------------|----------|

# SAC-3P-Y/2XFS PE SCO - Y distributor



1523971

<https://www.phoenixcontact.com/gb/products/1523971>

## Environmental product compliance

### EU RoHS

|   |                    |
|---|--------------------|
| Fulfills EU RoHS substance requirements | Yes, No exemptions |
|---|--------------------|

### China RoHS

|  |  |
|--|--|
| Environment friendly use period (EFUP) | EFUP-E                                   |
|  | No hazardous substances above the limits |

### EU REACH SVHC

|                                     |                            |
|-------------------------------------|----------------------------|
| REACH candidate substance (CAS No.) | No substance above 0.1 wt% |
|-------------------------------------|----------------------------|

### EF3.0 Climate Change

|         |               |
|---------|---------------|
| CO2e kg | 1.132 kg CO2e |
|---------|---------------|

Phoenix Contact 2025 © - all rights reserved  
<https://www.phoenixcontact.com>

PHOENIX CONTACT Ltd  
Halesfield 13, Telford  
Shropshire, TF7 4PG  
01952 681700  
[info@phoenixcontact.co.uk](mailto:info@phoenixcontact.co.uk)