

Accessory circuit breaker 3WA, External metering current sensor for N conductor, frame size 2, window type, (without copper bar)

Model	
product brand name	SENTRON
product designation	External current sensor
design of the product	external current sensor for the neutral pole, for mounting on busbar (without copper busbar)

General technical data	
size of the circuit-breaker	2
Net Weight	477 g

Approvals Certificates		
General Product Approval	EMV	Test Certificates



[Miscellaneous](#)

[Special Test Certificate](#)

Test Certificates	Maritime application	other
-------------------	----------------------	-------

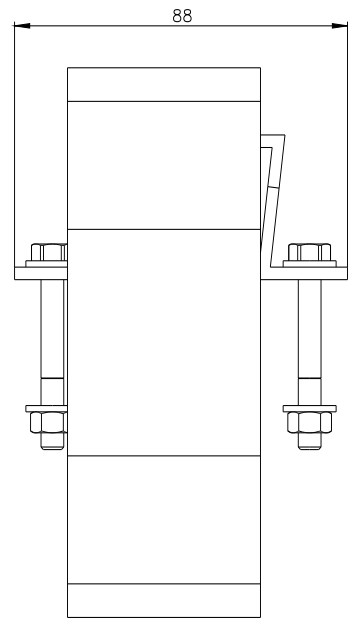
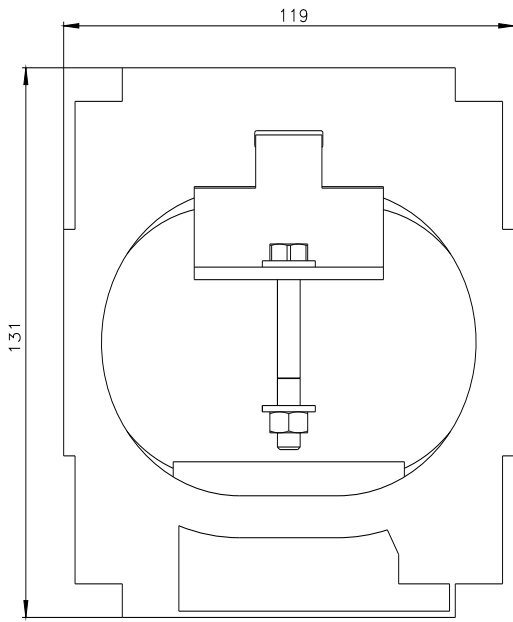
[Type Test Certificates/Test Report](#)



[Confirmation](#)

Further information

- Information on the packaging
<https://support.industry.siemens.com/cs/ww/en/view/109813875>
- Information- and Downloadcenter (Catalogs, Brochures,...)
<http://www.siemens.com/lowvoltage/catalogs>
- Industry Mall (Online ordering system)
<https://mall.industry.siemens.com/mall/en/en/Catalog/product?mlfb=3WA9111-0AA22>
- Service&Support (Manuals, Certificates, Characteristics, FAQs,...)
<https://support.industry.siemens.com/cs/ww/en/ps/3WA9111-0AA22>
- Image database (product images, 2D dimension drawings, 3D models, device circuit diagrams, ...)
http://www.automation.siemens.com/bilddb/cax_en.aspx?mlfb=3WA9111-0AA22
- CAX-Online-Generator
<http://www.siemens.com/cax>
- Tender specifications
<http://www.siemens.com/specifications>



last modified:

4/13/2025 

