

Accessory circuit breaker 3WA, External metering current sensor for N conductor, frame size 1, for bus bar connection (include copper bar)

| Model                 |   |
|-----------------------|---|
| product brand name    | SENTRON   |
| product designation   | External current sensor   |
| design of the product | external current sensor for the neutral pole, for busbar connection (including copper busbar) |

| General technical data      |          |
|-----------------------------|----------|
| size of the circuit-breaker | 1        |
| Net Weight                  | 1.573 kg |

| Approvals Certificates   |     |                   |
|--------------------------|-----|-------------------|
| General Product Approval | EMV | Test Certificates |



[Miscellaneous](#)

[Special Test Certificate](#)

| Test Certificates | other |
|-------------------|-------|
|-------------------|-------|

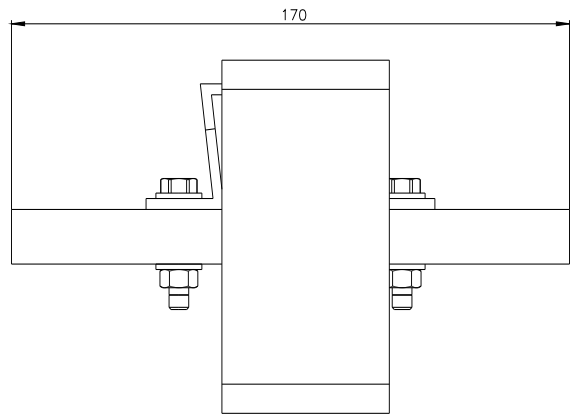
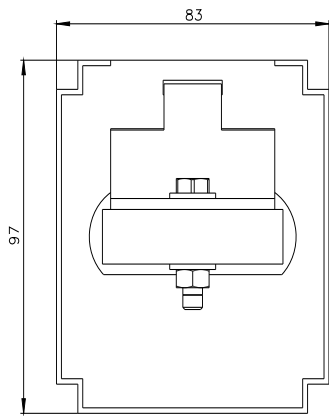
[Type Test Certificates/Test Report](#)



[Confirmation](#)

### Further information

- Information on the packaging  
<https://support.industry.siemens.com/cs/ww/en/view/109813875>
- Information- and Downloadcenter (Catalogs, Brochures,...)  
<http://www.siemens.com/lowvoltage/catalogs>
- Industry Mall (Online ordering system)  
<https://mall.industry.siemens.com/mall/en/en/Catalog/product?mlfb=3WA9111-0AA31>
- Service&Support (Manuals, Certificates, Characteristics, FAQs,...)  
<https://support.industry.siemens.com/cs/ww/en/ps/3WA9111-0AA31>
- Image database (product images, 2D dimension drawings, 3D models, device circuit diagrams, ...)  
[http://www.automation.siemens.com/bilddb/cax\\_en.aspx?mlfb=3WA9111-0AA31](http://www.automation.siemens.com/bilddb/cax_en.aspx?mlfb=3WA9111-0AA31)
- CAX-Online-Generator  
<http://www.siemens.com/cax>
- Tender specifications  
<http://www.siemens.com/specifications>



---

last modified:

4/8/2025 