



accessories for circuit breaker 3WA, closing coil (CC-COM) / shunt release (ST-COM), 100% OP 208-240 V AC / 220-250 V DC, communication-capable, Ready4COM, suitable for continuous duty

Model	
product brand name	SENTRON
product designation	Closing coil/shunt trip
design of the fuse link	fuse gG: 2 A, miniature circuit breaker C characteristic: 2 A
closing apparent power [VA]	60 VA
operating apparent power [VA]	8 VA
closing active power [W]	60 W
operating active power [W]	8 W
minimum command time at Us = 100%	60 ms
make time (electrical) of circuit breaker at Us = 100%	80 ms
opening time (electrical) of circuit breaker at Us = 100%	80 ms
control supply voltage (Us) at AC rated value	208 to 240 V 50/60 Hz
Net Weight	550 g
ambient temperature during operation	
• minimum	-40 °C
• maximum	70 °C
ambient temperature during storage	
• minimum	-40 °C
• maximum	80 °C

Approvals Certificates		
General Product Approval	EMV	Test Certificates



[Miscellaneous](#)

Test Certificates	Maritime application	other
-------------------	----------------------	-------

[Special Test Certificate](#)

[Type Test Certificates/Test Report](#)



[Confirmation](#)

Further information

Information on the packaging
<https://support.industry.siemens.com/cs/ww/en/view/109813875>
 Information- and Downloadcenter (Catalogs, Brochures,...)
<http://www.siemens.com/lowvoltage/catalogs>
 Industry Mall (Online ordering system)
<https://mall.industry.siemens.com/mall/en/en/Catalog/product?mlfb=3WA9111-0AD36>

Service&Support (Manuals, Certificates, Characteristics, FAQs,...)

<https://support.industry.siemens.com/cs/ww/en/ps/3WA9111-0AD36>

Image database (product images, 2D dimension drawings, 3D models, device circuit diagrams, ...)

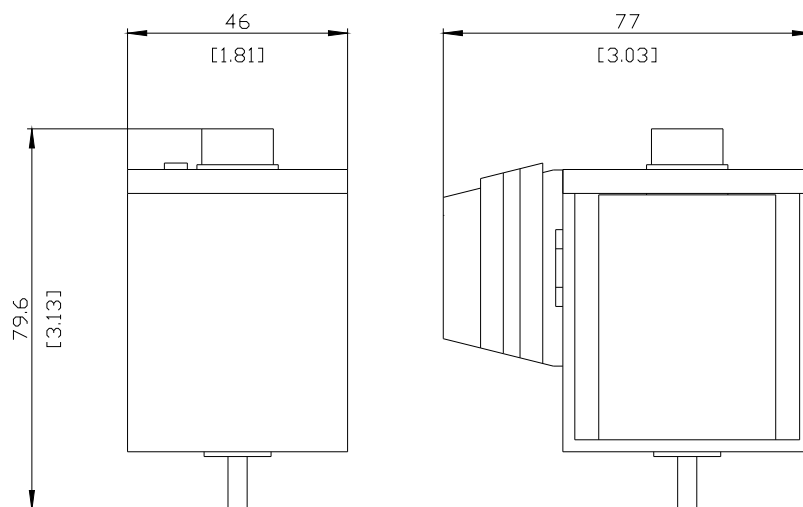
http://www.automation.siemens.com/bilddb/cax_en.aspx?mlfb=3WA9111-0AD36

CAX-Online-Generator

<http://www.siemens.com/cax>

Tender specifications

<http://www.siemens.com/specifications>



last modified:

4/6/2025 

