

accessories 3WA / 3WL undervoltage release (UVR-t), long-time delayed 0.2-3.2 s  
208-240 V AC / 220-250 V DC (version 1) emergency shutdown loop max. 100 m  
cable length or 50 m cable length

| Model   |  |
|---|--|
| product brand name                            | SENTRON  |
| product designation                           | Undervoltage release   |
| design of the product                         | undervoltage release (UVR-t), time delay 0.2 to 3.2 s, 208 to 240 V AC / 220 to 250 V DC                       |
| design of the fuse link                       | fuse gG: 2 A, miniature circuit breaker C characteristic: 6 A, miniature circuit breaker D characteristic: 4 A |
| closing apparent power [VA]                   | 60 VA  |
| operating apparent power [VA]                 | 5 VA   |
| closing active power [W]                      | 50 W   |
| operating active power [W]                    | 5 W  |
| OFF-delay time minimum                        | 200 ms   |
| OFF-delay time maximum                        | 3 200 ms   |
| control supply voltage (Us) at AC rated value | 208 to 240 V 50/60 Hz  |
| Net Weight                                    | 766 g  |
| ambient temperature during operation          |  |
| • minimum                                     | -40 °C   |
| • maximum                                     | 70 °C  |
| ambient temperature during storage            |  |
| • minimum                                     | -40 °C   |
| • maximum                                     | 80 °C  |

### Approvals Certificates

|                          |     |                   |
|--------------------------|-----|-------------------|
| General Product Approval | EMV | Test Certificates |
|--------------------------|-----|-------------------|



[Miscellaneous](#)

|                   |                      |       |                 |
|-------------------|----------------------|-------|-----------------|
| Test Certificates | Maritime application | other | Dangerous goods |
|-------------------|----------------------|-------|-----------------|

[Type Test Certificates/Test Report](#)

[Special Test Certificate](#)



[Confirmation](#)

[Dangerous goods information](#)

### Further information

Information on the packaging

<https://support.industry.siemens.com/cs/ww/en/view/109813875>

Information- and Downloadcenter (Catalogs, Brochures,...)

<http://www.siemens.com/lowvoltage/catalogs>

Industry Mall (Online ordering system)

<https://mall.industry.siemens.com/mall/en/en/Catalog/product?mlfb=3WA9111-0AE16>

Service&Support (Manuals, Certificates, Characteristics, FAQs,...)

<https://support.industry.siemens.com/cs/ww/en/ps/3WA9111-0AE16>

Image database (product images, 2D dimension drawings, 3D models, device circuit diagrams, ...)

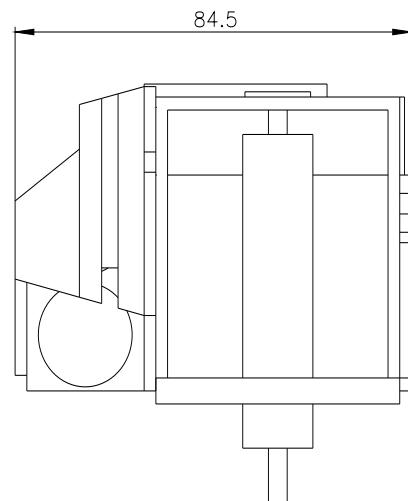
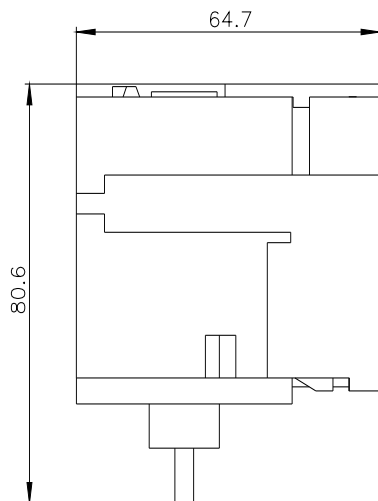
[http://www.automation.siemens.com/bilddb/cax\\_en.aspx?mlfb=3WA9111-0AE16](http://www.automation.siemens.com/bilddb/cax_en.aspx?mlfb=3WA9111-0AE16)

CAX-Online-Generator

<http://www.siemens.com/cax>

Tender specifications

<http://www.siemens.com/specifications>



---

last modified:

4/4/2025 

