



Accessory 3WA/3WL Charging Motor (M) 110-127 V AC / 110-125 V DC

Model	
product brand name	SENTRON
product designation	Motorized operating mechanism
design of the product	MO spring charging motor
operating apparent power [VA]	135 VA
electrical endurance (operating cycles)	30 000
operating frequency maximum	60 1/h
time for clamping of the spring energy store with control supply voltage (Us)	10 s
control supply voltage at DC rated value maximum	125 V
design of the DIAZED fuse link gG for short-circuit protection minimum permissible	2 A (fuse gG: 2 A, miniature circuit breaker C characteristic: 2 A)
Net Weight	1.643 kg
ambient temperature during operation	<ul style="list-style-type: none"> <li>• minimum -40 °C</li> <li>• maximum 70 °C</li> </ul>
ambient temperature during storage	<ul style="list-style-type: none"> <li>• minimum -40 °C</li> <li>• maximum 80 °C</li> </ul>

Approvals Certificates		
General Product Approval	EMV	Test Certificates



[Miscellaneous](#)

Test Certificates	other	Dangerous goods
<a href="#">Type Test Certificates/Test Report</a> <a href="#">Special Test Certificate</a>		<a href="#">Confirmation</a> <a href="#">Transport Information</a> <a href="#">Dangerous goods information</a>

**Further information**

Information on the packaging  
<https://support.industry.siemens.com/cs/ww/en/view/109813875>  
 Information- and Downloadcenter (Catalogs, Brochures,...)  
<http://www.siemens.com/lowvoltage/catalogs>  
 Industry Mall (Online ordering system)  
<https://mall.industry.siemens.com/mall/en/en/Catalog/product?mifb=3WA9111-0AF05>  
 Service&Support (Manuals, Certificates, Characteristics, FAQs,...)

<https://support.industry.siemens.com/cs/ww/en/ps/3WA9111-0AF05>

Image database (product images, 2D dimension drawings, 3D models, device circuit diagrams, ...)

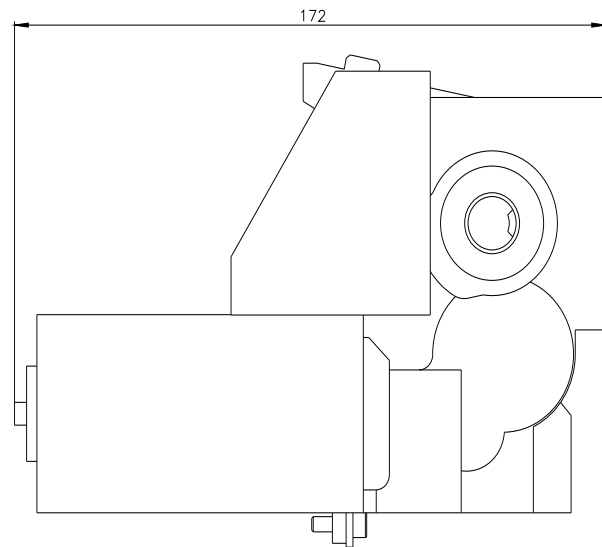
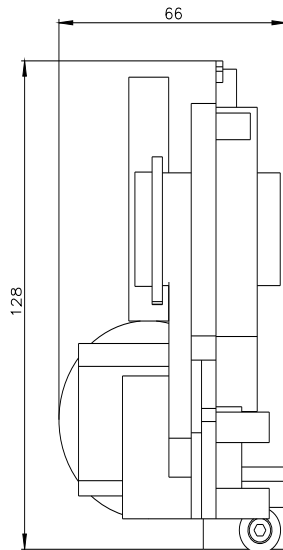
[http://www.automation.siemens.com/bilddb/cax\\_en.aspx?mlfb=3WA9111-0AF05](http://www.automation.siemens.com/bilddb/cax_en.aspx?mlfb=3WA9111-0AF05)

CAX-Online-Generator

<http://www.siemens.com/cax>

Tender specifications

<http://www.siemens.com/specifications>



---

last modified:

8/5/2025 

