

Accessory Circuit breaker 3WA, Local electric close with sealing cover



Model	
product brand name	SETRON
product designation	Local electric close
design of the product	local electric close with sealing cap
Net Weight	88 g

Approvals Certificates		
General Product Approval	EMV	Test Certificates



[Miscellaneous](#)

[Type Test Certificates/Test Report](#)

Test Certificates	Maritime application	other	Dangerous goods
-------------------	----------------------	-------	-----------------

[Special Test Certificate](#)

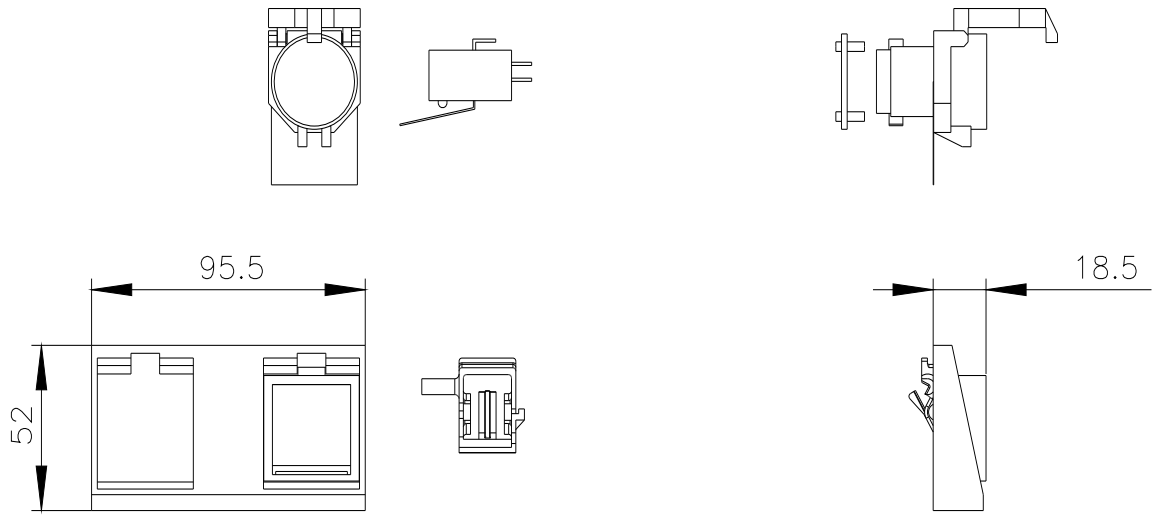


[Confirmation](#)

[Dangerous goods information](#)

Further information

- Information on the packaging
<https://support.industry.siemens.com/cs/ww/en/view/109813875>
- Information- and Downloadcenter (Catalogs, Brochures,...)
<http://www.siemens.com/lowvoltage/catalogs>
- Industry Mall (Online ordering system)
<https://mall.industry.siemens.com/mall/en/en/Catalog/product?mlfb=3WA9111-0AH21>
- Service&Support (Manuals, Certificates, Characteristics, FAQs,...)
<https://support.industry.siemens.com/cs/ww/en/ps/3WA9111-0AH21>
- Image database (product images, 2D dimension drawings, 3D models, device circuit diagrams, ...)
http://www.automation.siemens.com/bilddb/cax_en.aspx?mlfb=3WA9111-0AH21
- CAX-Online-Generator
<http://www.siemens.com/cax>
- Tender specifications
<http://www.siemens.com/specifications>



last modified:

4/13/2025 