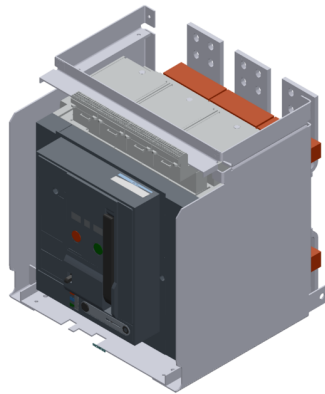


Siemens
EcoTech



DC non-automatic ACB withdrawable version, with guide frame, IEC 60947-2, frame size 2, 3-poles, $I_n=2000A$ to 1000V DC, Breaking capacity $E I_{cc}=20kA$ at 1000V DC, without electr. trip unit ETU, front connection double hole, guide frame with shutter and position signal. switch (3xW), able to communication, with manual and motorized operating mechanism (M) 208-240 V AC / 220-250 V DC, Storage status and ready-to- close signaling switches, Auxiliary switches 4NO+4NC, Closing coil (CC) 100% OP 208-240 V AC / 220-250 V DC, applicable for continuous duty, without Remote trip alarm reset coil (RR), Shunt trip (ST2) 100% OP 208-240 V AC / 220-250 V DC, suitable for continuous duty, Shunt trip (ST) 100% OP 208-240 V AC / 220-250 V DC, suitable for continuous duty,

Model	
product brand name	SENTRON
product designation	Non-automatic circuit breaker
suitability for use	DC non-automatic circuit breaker
size of the circuit-breaker	II
number of poles	3
position / of neutral conductor	no internal N-conductor
fastening method	withdrawable circuit breaker
design of the product	DC application
type of the driving mechanism	manual operating mechanism/spring charging motor with spring charge signaling switch
Weight	110.292 kg
Net Weight	95.292 kg
General technical data	
insulation voltage / rated value	1000 V
operating voltage / for main current circuit / at DC / maximum	1000 V
power loss [W] / maximum	770 W
Current	
continuous current / rated value / maximum	2000 A
continuous current / rated value	2000 A
operational current	
• at 40 °C / rated value	2000 A
• at 45 °C / rated value	2000 A
• at 50 °C / rated value	2000 A
• at 55 °C / rated value	2000 A
• at 60 °C / rated value	2000 A
• at 70 °C / rated value	1950 A
Switching capacity and short-time withstand current, according to IEC 60947-2	
switching capacity class of the circuit breaker	E
conditional short-circuit current (I_{cc}) / for non-automatic air circuit breakers / at DC	
• at 600 V / rated value	20 kA
• at 1000 V / rated value	20 kA
Basic protection functions	
L: Overload protection N-conductor	
S: delayed short-circuit protection ST	
S: delayed short-circuit protection ST, settings values I0t	

S: delayed short-circuit protection ST, settings values I2t	
G: ground fault GF	
Measuring functions	
measurement function	
• current measurement	Yes
Communication	
communication function / prepared for communication (Ready4COM)	Yes
communication function	Yes
Service Life	
mechanical service life (operating cycles)	
• without support / typical	10000
• with support / typical	20000
electrical endurance (operating cycles)	
• at DC / at 1000 V / with support / typical	20000
• at DC / at 1000 V / without support / typical	1000
Dimensions	
height	518 mm
width	460 mm
depth	471 mm
Main connection	
arrangement of electrical connectors / for main current circuit	front main circuit connection, double hole
Auxiliary circuit	
design of the auxiliary switch	4 NO + 4 NC
number of NC contacts / for auxiliary contacts	4
number of NO contacts / for auxiliary contacts	4
number of CO contacts / for auxiliary contacts	0
Internal accessories	
product component	
• undervoltage release	No
• voltage trigger	Yes
• trip indicator	No
• motor drive	Yes
Environmental conditions	
protection class IP / on the front	IP20
ambient temperature / during operation	
• minimum	-40 °C
• maximum	70 °C
ambient temperature / during storage	
• minimum	-40 °C
• maximum	80 °C
Environmental footprint	
Siemens Eco Profile (SEP)	Siemens EcoTech
Certificates	
reference code	
• according to IEC 81346-2	Q

General Product Approval

Test Certificates

Maritime application



[Special Test Certificate](#)



Maritime application



other	Railway	Environment
Confirmation	Special Test Certificate	Environmental Confirmations

Further information

Information on the packaging

<https://support.industry.siemens.com/cs/ww/en/view/109813875>

Industry Mall (Online ordering system)

<https://mall.industry.siemens.com/mall/en/en/Catalog/product?mlfb=3WA1220-8CU63-8EE4>

Service&Support (Manuals, Certificates, Characteristics, FAQs,...)

<https://support.industry.siemens.com/cs/ww/en/ps/3WA1220-8CU63-8EE4>

Image database (product images, 2D dimension drawings, 3D models, device circuit diagrams, ...)

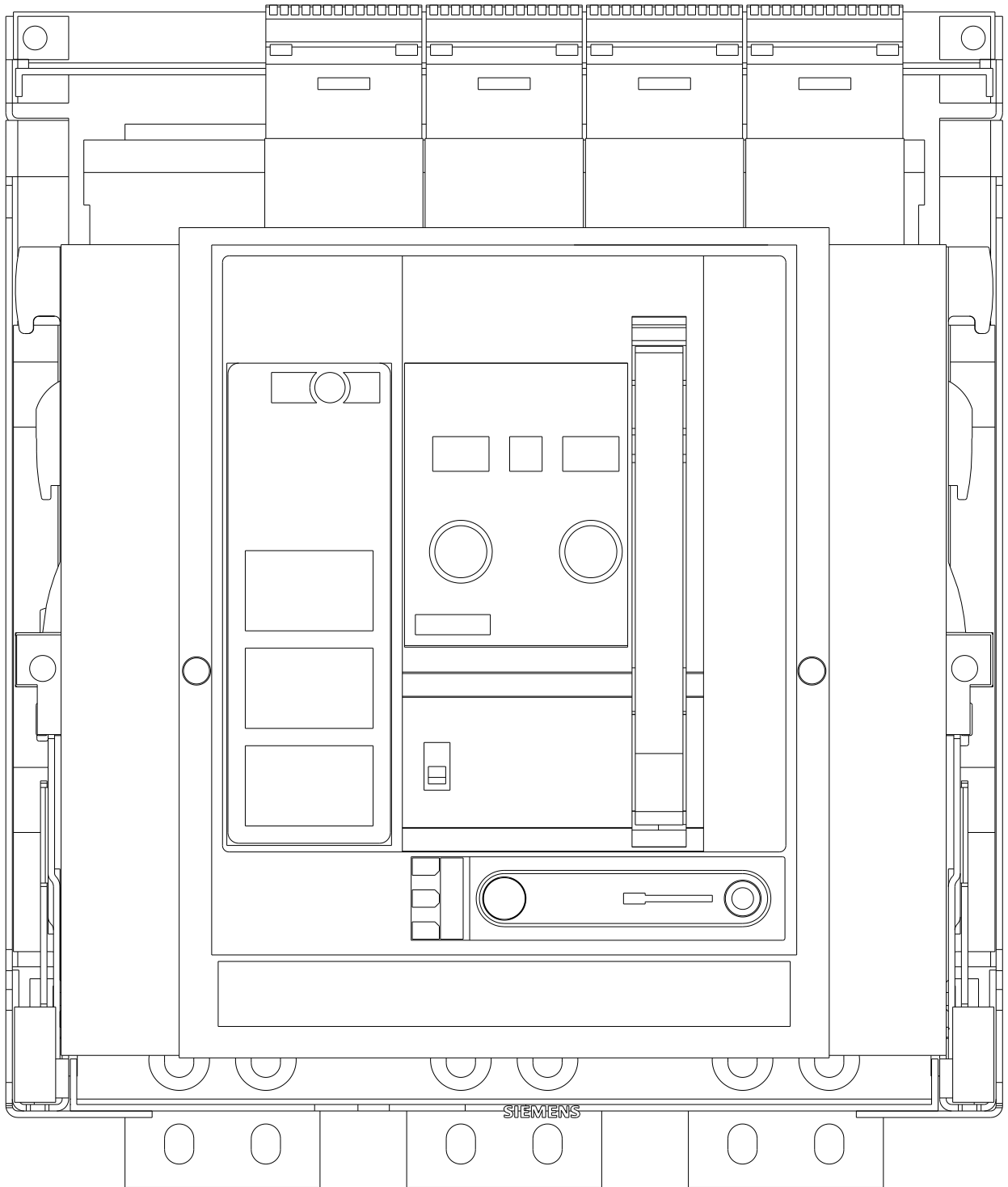
http://www.automation.siemens.com/bilddb/cax_en.aspx?mlfb=3WA1220-8CU63-8EE4

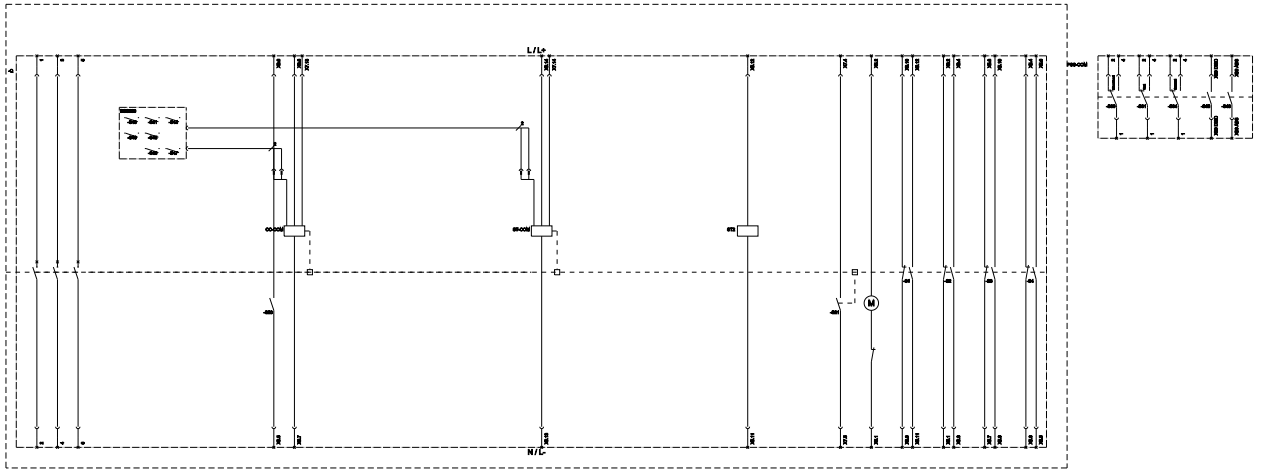
CAX-Online-Generator

<http://www.siemens.com/cax>

Information- and Downloadcenter (catalogues, leaflets,...)

<http://www.siemens.com/energy-automation>





last modified:

3/14/2025 

