

Fixed-mounted circuit breaker IEC 60947-2, frame size 2, 3-poles,  $I_n=4000\text{A}$  up to 690V AC 50/60Hz, breaking capacity S  $I_{cu}=66/50\text{kA}$  at 500/690V, Trip unit ETU600 LSI upgrade ready, color display, bluetooth and USB interface, Protection LT, ST, INST, N-protection required an external N-sensor, incl. trip alarm switch (1xCO), rear connection vertical, able to communication, Manual operating mechanism with mechanical closing, without Spring charging motor, Ready-to-close signal. switch, Auxiliary switches 2NO+2NC, without Closing coil (CC), manual operating mechanism with mechanical closing, without Remote trip alarm reset coil (RR), without 2nd shunt trip, without 1st Shunt trip

Model	
product brand name	SENTRON
product designation	3WA air circuit breaker
suitability for use	circuit breaker
size of the circuit-breaker	II
number of poles	3
position / of neutral conductor	no internal N-conductor
fastening method	fixed-mounted circuit breakers
design of the product	AC application
type of the driving mechanism	manual operating mechanism with mechanical or electrical closing
design of the electronic trip unit	ETU600 LSI
Weight	66.508 kg
Net Weight	51.508 kg
General technical data	
insulation voltage / rated value	1000 V
operating voltage / at AC / at 50/60 Hz / rated value	690 V
power loss [W] / maximum	750 W
Current	
continuous current / rated value / maximum	4000 A
continuous current / rated value	4000 A
operational current	
• at 40 °C / rated value	4000 A
• at 45 °C / rated value	4000 A
• at 50 °C / rated value	4000 A
• at 55 °C / rated value	4000 A
• at 60 °C / rated value	4000 A
• at 65 °C / rated value	4000 A
• at 70 °C / rated value	4000 A
Switching capacity and short-time withstand current, according to IEC 60947-2	
switching capacity class of the circuit breaker	S
maximum short-circuit current breaking capacity ( $I_{cu}$ )	
• at 500 V / rated value	66 kA
• at 690 V / rated value	50 kA
operating short-circuit current breaking capacity ( $I_{cs}$ )	
• at 500 V / rated value	66 kA
• at 690 V / rated value	50 kA
short-circuit current making capacity ( $I_{cm}$ )	
• at 500 V / rated value	145 kA
• at 690 V / rated value	105 kA
short-time withstand current ( $I_{cw}$ ) / at 500 V AC	

<ul style="list-style-type: none"> <li>• for 0.5 s / rated value</li> </ul>	66 kA
<ul style="list-style-type: none"> <li>• for 1 s / rated value</li> </ul>	66 kA
<ul style="list-style-type: none"> <li>• for 2 s / rated value</li> </ul>	66 kA
<ul style="list-style-type: none"> <li>• for 3 s / rated value</li> </ul>	66 kA
short-time withstand current (I <sub>cw</sub> ) / at 690 V AC	
<ul style="list-style-type: none"> <li>• for 0.5 s / rated value</li> </ul>	50 kA
<ul style="list-style-type: none"> <li>• for 1 s / rated value</li> </ul>	50 kA
<ul style="list-style-type: none"> <li>• for 2 s / rated value</li> </ul>	50 kA
<ul style="list-style-type: none"> <li>• for 3 s / rated value</li> </ul>	50 kA

**Electronic release unit**

product feature	
<ul style="list-style-type: none"> <li>• upgradable</li> </ul>	Yes
<ul style="list-style-type: none"> <li>• Bluetooth and USB interface</li> </ul>	Yes
<ul style="list-style-type: none"> <li>• decoder for basic protection functions</li> </ul>	Yes
<ul style="list-style-type: none"> <li>• display and function keys</li> </ul>	Yes
<ul style="list-style-type: none"> <li>• SENTRON powerconfig configuration software</li> </ul>	Yes

**Basic protection functions**

product feature / for L-tripping	
<ul style="list-style-type: none"> <li>• can be switched on/off</li> </ul>	Yes
<ul style="list-style-type: none"> <li>• selectable characteristic function</li> </ul>	Yes
<ul style="list-style-type: none"> <li>• decoder and infinite adjustability are selectable with eSet</li> </ul>	Yes
set values setting current (I <sub>r</sub> ) / for L-tripping / with I2t characteristic	0.5;0.6;0.7;0.75;0.8;0.85;0.9;0.95;1.0
reference value setting current (I <sub>r</sub> ) / for L-tripping / with I2t characteristic	x I <sub>n</sub>
set values delay time (tr) / for L-tripping / with I2t characteristic	1;2;5;8;10;14;17;21;25
reference value delay time (tr) / for L-tripping / with I2t characteristic	s
set values setting current (I <sub>r</sub> ) / for L-tripping / with I2t characteristic / for eSet	0.4-1;0.001
adjustable absolute value setting current (I <sub>r</sub> ) / for L-tripping / with I2t characteristic / for eSet	
<ul style="list-style-type: none"> <li>• minimum</li> </ul>	1600 A
<ul style="list-style-type: none"> <li>• maximum</li> </ul>	4000 A
set values delay time (tr) / for L-tripping / with I2t characteristic / for eSet	0.5-30;0.001
set values setting current (I <sub>r</sub> ) / for L-tripping / with I4t characteristic / for eSet	0.4-1;0.001
set values delay time (tr) / for L-tripping / with I4t characteristic / for eSet	0.5-5;0.001
reference value delay time (tr) / for L-tripping / with I4t characteristic	s
adjustable absolute value setting current (I <sub>r</sub> ) / for L-tripping / with I4t characteristic / for eSet	
<ul style="list-style-type: none"> <li>• minimum</li> </ul>	1600 A
<ul style="list-style-type: none"> <li>• maximum</li> </ul>	4000 A

**L: Overload protection N-conductor**

product feature / with neutral conductor protection / can be switched on/off	Yes
setting values setting current (I <sub>nN</sub> ) / for N-tripping	0.2-2;0.001
reference value setting current (I <sub>nN</sub> ) / for N-tripping	x I <sub>n</sub>
adjustable setting current (I <sub>nN</sub> ) / for N-tripping	
<ul style="list-style-type: none"> <li>• minimum</li> </ul>	800 A
<ul style="list-style-type: none"> <li>• maximum</li> </ul>	8000 A

**S: delayed short-circuit protection ST**

product feature / for S-tripping	
<ul style="list-style-type: none"> <li>• independent of direction / can be switched on/off</li> </ul>	Yes
<ul style="list-style-type: none"> <li>• independent of direction / selectable characteristic function</li> </ul>	Yes
<ul style="list-style-type: none"> <li>• decoder and infinite adjustability are selectable with eSet</li> </ul>	Yes

**S: delayed short-circuit protection ST, settings values I0t**

set values setting current (I <sub>sd</sub> ) / for S-tripping / with I0t characteristic	1.5;2;2.5;3;4;5;6;8;10
reference value setting current (I <sub>sd</sub> ) / for S-tripping / with I0t characteristic	x I <sub>r</sub>

set values delay time (tsd) / for S-tripping / with I0t characteristic	0.08;0.15;0.22;0.3;0.4
reference value delay time (tsd) / for S-tripping / with I0t characteristic	s
set values setting current (I <sub>sd</sub> ) / for S-tripping / with I0t characteristic / for eSet / independent of direction	0.6-10;0.001
adjustable absolute value setting current (I <sub>sd</sub> )	
<ul style="list-style-type: none"> <li>for S-tripping / with I0t characteristic / for eSet / independent of direction / minimum</li> </ul>	2400 A
<ul style="list-style-type: none"> <li>at 500 V / for S-tripping / with I0t characteristic / for eSet / independent of direction / maximum</li> </ul>	52.8 kA
<ul style="list-style-type: none"> <li>at 690 V / for S-tripping / with I0t characteristic / for eSet / independent of direction / maximum</li> </ul>	40 kA
set values delay time (tsd) / for S-tripping / with I0t characteristic / for eSet / independent of direction	0.02-0.4;0.001
<b>S: delayed short-circuit protection ST, settings values I2t</b>	
set values setting current (I <sub>sd</sub> ) / for S-tripping / with I2t characteristic	1.5;2;2.5;3;4;5;6;8;10
reference value setting current (I <sub>sd</sub> ) / for S-tripping / with I2t characteristic	x I <sub>r</sub>
set values delay time (tsd) / for S-tripping / with I2t characteristic	0.1;0.2;0.3;0.4
set values setting current (I <sub>sd</sub> ) / for S-tripping / with I2t characteristic / for eSet / independent of direction	0.6-10;0.001
adjustable absolute value setting current (I <sub>sd</sub> )	
<ul style="list-style-type: none"> <li>for S-tripping / with I2t characteristic / for eSet / independent of direction / minimum</li> </ul>	2400 A
<ul style="list-style-type: none"> <li>at 500 V / for S-tripping / with I2t characteristic / for eSet / independent of direction / maximum</li> </ul>	52.8 kA
<ul style="list-style-type: none"> <li>at 690 V / for S-tripping / with I2t characteristic / for eSet / independent of direction / maximum</li> </ul>	40 kA
set values delay time (tsd) / for S-tripping / with I2t characteristic / for eSet / independent of direction	0.02-0.4;0.001
product feature / for I-tripping	
<ul style="list-style-type: none"> <li>can be switched on/off</li> </ul>	Yes
<ul style="list-style-type: none"> <li>decoder and infinite adjustability are selectable (with eSet)</li> </ul>	Yes
set values setting current (I <sub>i</sub> ) / for I-tripping	1.5;2;3;4;6;8;10;12;15
reference value setting current (I <sub>i</sub> ) / for I-tripping	x I <sub>n</sub>
tripping factor setting current (I <sub>imax</sub> ) / for I-tripping	0.8
reference value setting current (I <sub>imax</sub> ) / for I-tripping	x I <sub>cs</sub>
set values setting current (I <sub>i</sub> ) / for I-tripping / for eSet	1.5-15;0.001
adjustable absolute value setting current (I <sub>i</sub> )	
<ul style="list-style-type: none"> <li>for I-tripping / for eSet / minimum</li> </ul>	6000 A
<ul style="list-style-type: none"> <li>at 500 V / for I-tripping / for eSet / maximum</li> </ul>	52.8 kA
<ul style="list-style-type: none"> <li>at 690 V / for I-tripping / for eSet / maximum</li> </ul>	40 kA
<b>G: ground fault GF</b>	
product feature / for G-tripping	
<ul style="list-style-type: none"> <li>can be switched on/off</li> </ul>	No
<ul style="list-style-type: none"> <li>selectable characteristic function</li> </ul>	No
<b>Further protective functions</b>	
protection function	
<ul style="list-style-type: none"> <li>maintenance mode DAS+</li> </ul>	Yes
<b>Measuring functions</b>	
measurement function	
<ul style="list-style-type: none"> <li>current measurement</li> </ul>	Yes
<b>Communication</b>	
communication function / prepared for communication (Ready4COM)	Yes
communication function	Yes
<b>Service Life</b>	
mechanical service life (operating cycles)	
<ul style="list-style-type: none"> <li>without support / typical</li> </ul>	10000
<ul style="list-style-type: none"> <li>with support / typical</li> </ul>	20000
electrical endurance (operating cycles)	
<ul style="list-style-type: none"> <li>at 690 V / without support / typical</li> </ul>	2000
<ul style="list-style-type: none"> <li>at 690 V / with support / typical</li> </ul>	20000

Dimensions	
height	437 mm
width	460 mm
depth	357 mm
Main connection	
arrangement of electrical connectors / for main current circuit	main connection on the rear, vertical
Auxiliary circuit	
design of the auxiliary switch	2 NO + 2 NC
number of NC contacts / for auxiliary contacts	2
number of NO contacts / for auxiliary contacts	2
number of CO contacts / for auxiliary contacts	0
Internal accessories	
product component	
• undervoltage release	No
• voltage trigger	No
• trip indicator	Yes
• motor drive	No
Environmental conditions	
protection class IP / on the front	IP20
ambient temperature / during operation	
• minimum	-40 °C
• maximum	70 °C
ambient temperature / during storage	
• minimum	-40 °C
• maximum	80 °C
Certificates	
reference code	
• according to IEC 81346-2	Q
General Product Approval	



[Miscellaneous](#)



EMV	Test Certificates	Maritime application			
-----	-------------------	----------------------	--	--	--



[Type Test Certificates/Test Report](#)

[Special Test Certificate](#)

[Miscellaneous](#)



Maritime application	other				
----------------------	-------	--	--	--	--



[CCS \(China Classification Society\)](#)

[Confirmation](#)

[Miscellaneous](#)

[Miscellaneous](#)

Environment					
-------------	--	--	--	--	--



[Environmental Confirmations](#)

[Environmental Confirmations](#)

Further information
---------------------

Information on the packaging

<https://support.industry.siemens.com/cs/ww/en/view/109813875>

Industry Mall (Online ordering system)

<https://mall.industry.siemens.com/mall/en/en/Catalog/product?mlfb=3WA1240-3CE01-0AA0>

Service&Support (Manuals, Certificates, Characteristics, FAQs,...)

<https://support.industry.siemens.com/cs/ww/en/ps/3WA1240-3CE01-0AA0>

Image database (product images, 2D dimension drawings, 3D models, device circuit diagrams, ...)

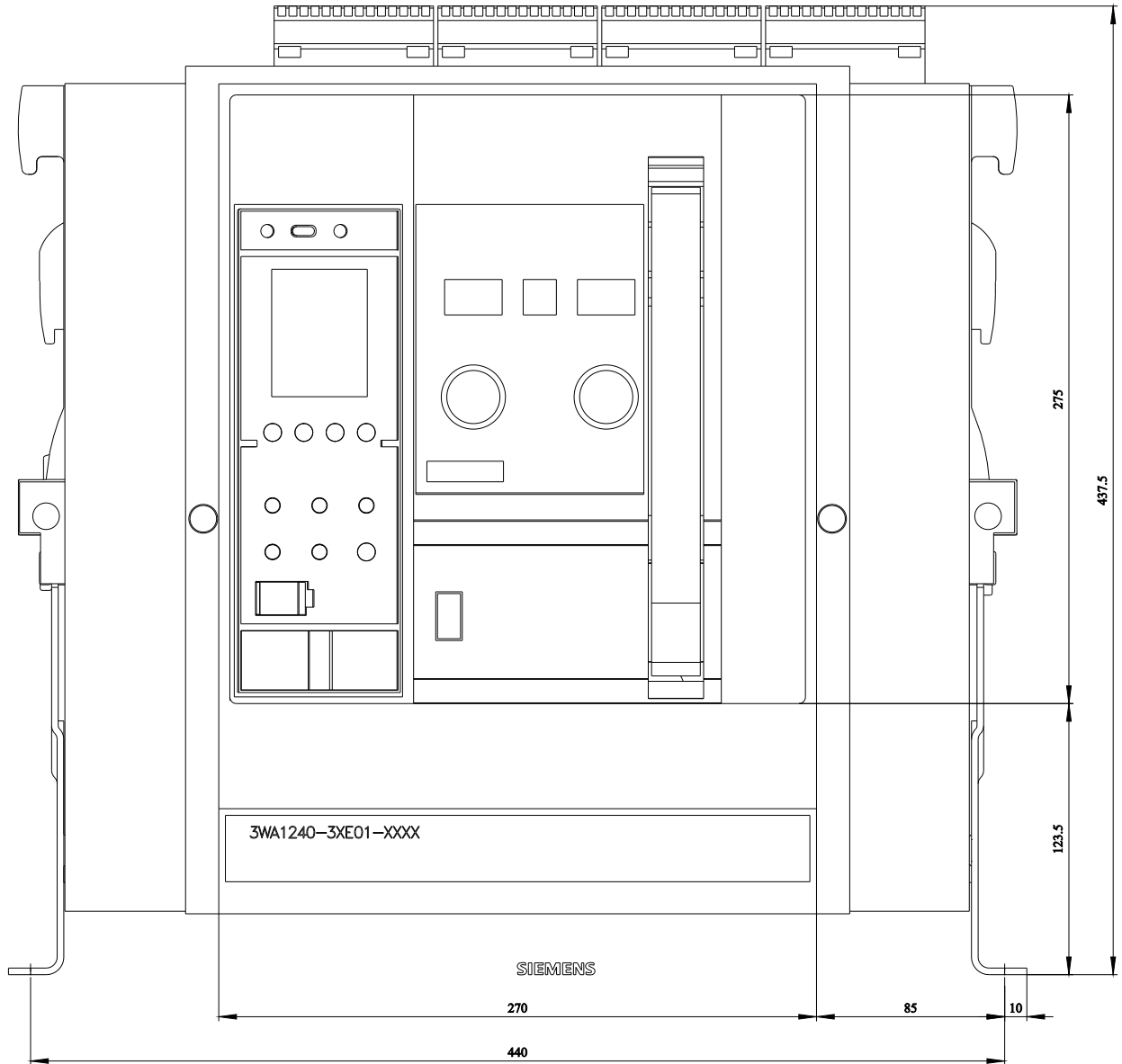
[http://www.automation.siemens.com/bilddb/cax\\_en.aspx?mlfb=3WA1240-3CE01-0AA0](http://www.automation.siemens.com/bilddb/cax_en.aspx?mlfb=3WA1240-3CE01-0AA0)

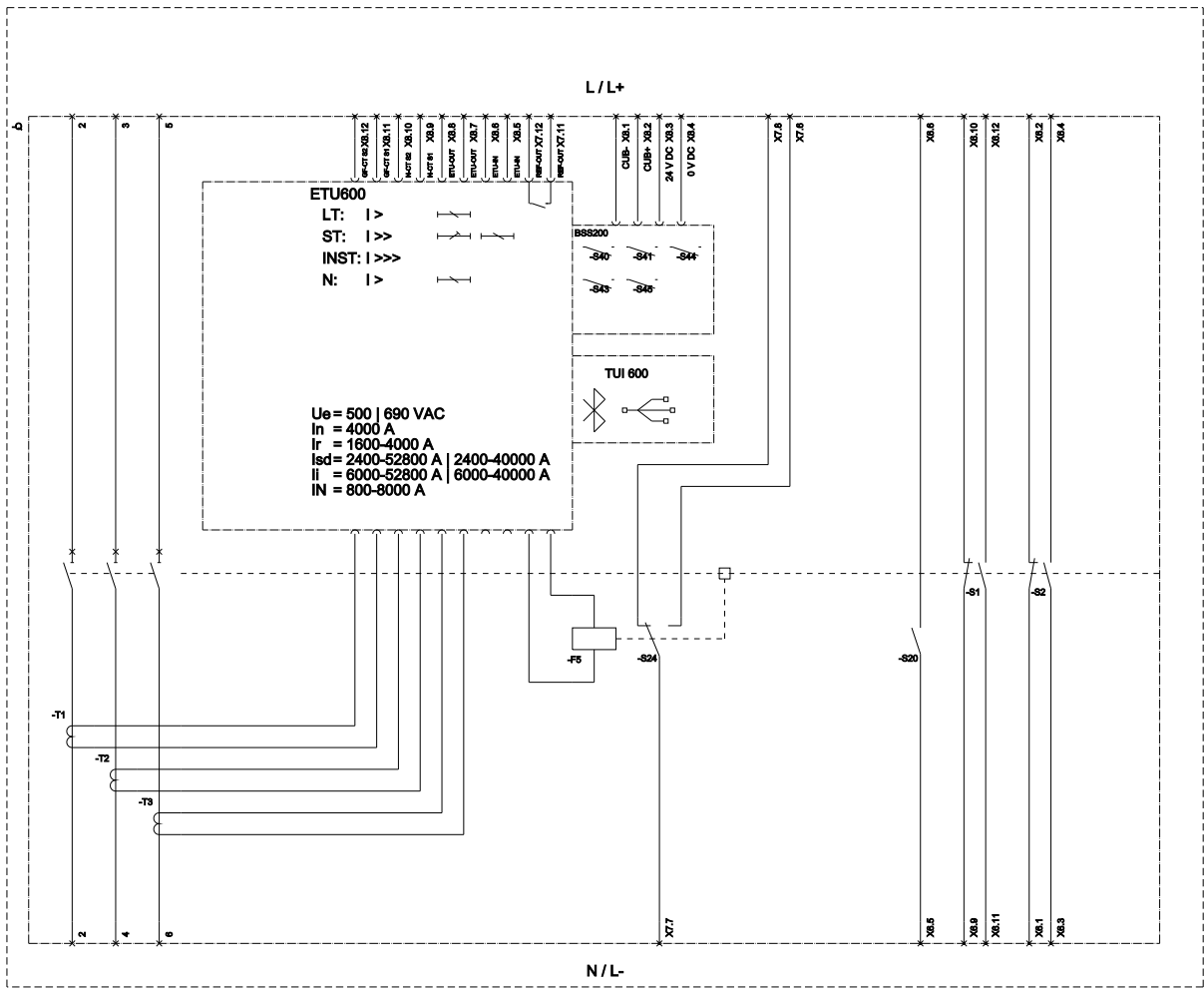
CAX-Online-Generator

<http://www.siemens.com/cax>

Information- and Downloadcenter (catalogues, leaflets,...)

<http://www.siemens.com/energy-automation>





LT (Long Time Delay / Überstromschutz); ST (Short Time Delay / Kurzstromschutz, kurzzeitverriegelt); INST (Instantaneous / Kurzstromschutz, unverriegelt); N (Neutral Protection / Neutralitätschutz); GF (Ground Fault Protection / Erdlebensschutz);  
 FS (Magnetisch für Trip unit / Antriebsmagnet); S24 (ZAS: 1st trip status switch (Reset position) / Status Anlaufstromschalter (Reset Position)); S1-S8 (AUX: Auxiliary switch / Hilfschalter); S20 (RTIC: Ready to close signalling switch / Einsatzbereitschaftsschalter);  
 Information to BSS200 / Information zur BSS200; S40: Ready-to-close status / Einsatzbereitschaft; S41: Spring charge status / Spindelzustand; S42: Second auxiliary release / Zweite Hilfskontakt; S44: (On/Off / Ein/Aus);  
 S45: Trip status switch / Anlaufstromschalter;

last modified:

4/21/2021

