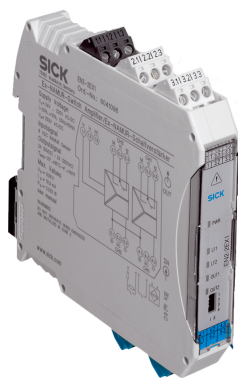


EN2-2EX1

Power supply modules

INTEGRATION MODULES AND ADAPTERS

SICK
Sensor Intelligence.



Ordering information

Type	part no.
EN2-2EX1	6041096

Other models and accessories → www.sick.com/Power_supply_modules



Detailed technical data

Features

Accessory group	Power supply modules
Description	NAMUR isolating amplifier, Cable fault detection, Switching outputs: 2 NO relay (1 per channel), Supply voltage: 24 V ... 230 V, Voltage type: AC/DC
Housing material	Plastic
Enclosure rating	IP20
Ambient operating temperature	-40 °C ... +60 °C
Storage temperature	-40 °C ... +80 °C
EC-Type examination certificate	IBExU11ATEX1034 X
Ex-approvals IECEx	IECEX IBE 14.0024X
Ex-approvals ATEX	ATEX II (1)G [Ex ia Ga] IIC; ATEX II (1)D [Ex ia Da] IIIC; ATEX II 3 (1)G Ex ec nC [ia Ga] IIC T4 Gc

Certificates

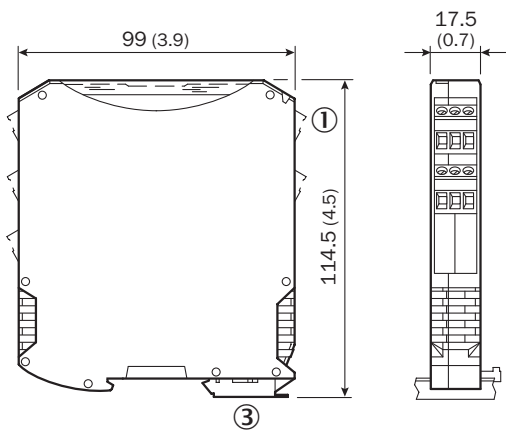
EU declaration of conformity	✓
UK declaration of conformity	✓
Moroccan declaration of conformity	✓
ATEX certificate	✓
IECEX certificate	✓

Classifications

ECLASS 5.0	27371401
ECLASS 5.1.4	27371401
ECLASS 6.0	27070201
ECLASS 6.2	27070203
ECLASS 7.0	27070203
ECLASS 8.0	27070203
ECLASS 8.1	27070203

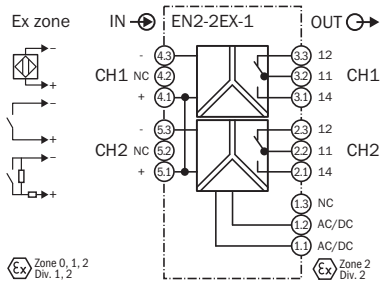
ECLASS 9.0	27070203
ECLASS 10.0	27070203
ECLASS 11.0	27070203
ECLASS 12.0	27070203
ETIM 5.0	EC000216
ETIM 6.0	EC000216
ETIM 7.0	EC000216
ETIM 8.0	EC000216
UNSPSC 16.0901	39122233

Dimensional drawing

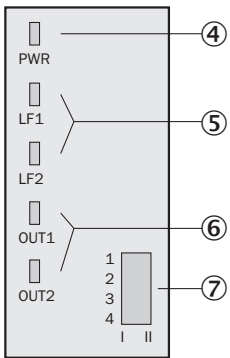


Dimensions in mm (inch)

Anschlusschema



Adjustments



SICK AT A GLANCE

SICK is one of the leading manufacturers of intelligent sensors and sensor solutions for industrial applications. A unique range of products and services creates the perfect basis for controlling processes securely and efficiently, protecting individuals from accidents and preventing damage to the environment.

We have extensive experience in a wide range of industries and understand their processes and requirements. With intelligent sensors, we can deliver exactly what our customers need. In application centers in Europe, Asia and North America, system solutions are tested and optimized in accordance with customer specifications. All this makes us a reliable supplier and development partner.

Comprehensive services complete our offering: SICK LifeTime Services provide support throughout the machine life cycle and ensure safety and productivity.

For us, that is “Sensor Intelligence.”

WORLDWIDE PRESENCE:

Contacts and other locations –www.sick.com