

# UTME 6 - Test disconnect terminal block



3047400

<https://www.phoenixcontact.com/gb/products/3047400>

Please be informed that the data shown in this PDF document is generated from our online catalog. Please find the complete data in the user documentation. Our general terms of use for downloads are valid.



Test disconnect terminal block, nom. voltage: 500 V, nominal current: 30 A, 1 level, connection method: Screw connection, Rated cross section: 6 mm<sup>2</sup>, cross section: 0.2 mm<sup>2</sup> - 10 mm<sup>2</sup>, mounting: NS 35/7,5, NS 35/15, color: gray

## Your advantages

- Feed-through terminal blocks of the same shape are available
- Clear
- Clear selection thanks to printed switching symbols
- Easy operation
- Six function shafts
- Compact design
- Flexible and comprehensive accessories
- Reliably snapped into the end positions

## Commercial data

Item number	3047400
Packing unit	50 pc
Minimum order quantity	50 pc
Sales key	BE1133
Product key	BE1133
GTIN	4046356291101
Weight per piece (including packing)	29.102 g
Weight per piece (excluding packing)	28.167 g
Customs tariff number	85369010
Country of origin	PL

# UTME 6 - Test disconnect terminal block



3047400

<https://www.phoenixcontact.com/gb/products/3047400>

## Technical data

### Product properties

Product type	Test disconnect terminal block
Number of connections	2
Number of rows	1
Potentials	1

### Insulation characteristics

Overvoltage category	III
Degree of pollution	3

### Electrical properties

Rated surge voltage	6 kV
Maximum power dissipation for nominal condition	1.31 W

### Connection data

Number of connections per level	2
Nominal cross section	6 mm <sup>2</sup>

#### 1 level

Connection method	Screw connection
Screw thread	M4
Tightening torque	1.5 ... 1.8 Nm
Stripping length	10 mm
Internal cylindrical gage	A5
Connection in acc. with standard	IEC 60947-7-1
Conductor cross-section rigid	0.2 mm <sup>2</sup> ... 10 mm <sup>2</sup>
Cross section AWG	24 ... 8 (converted acc. to IEC)
Conductor cross-section flexible	0.2 mm <sup>2</sup> ... 10 mm <sup>2</sup>
Conductor cross-section, flexible [AWG]	24 ... 8 (converted acc. to IEC)
Conductor cross-section flexible (ferrule without plastic sleeve)	0.25 mm <sup>2</sup> ... 6 mm <sup>2</sup>
Flexible conductor cross-section (ferrule with plastic sleeve)	0.25 mm <sup>2</sup> ... 6 mm <sup>2</sup>
2 conductors with same cross section, solid	0.2 mm <sup>2</sup> ... 2.5 mm <sup>2</sup>
2 conductors with same cross section, flexible	0.2 mm <sup>2</sup> ... 2.5 mm <sup>2</sup>
2 conductors with same cross section, flexible, with ferrule without plastic sleeve	0.25 mm <sup>2</sup> ... 1.5 mm <sup>2</sup>
2 conductors with the same cross section, flexible, with TWIN ferrule with plastic sleeve	0.5 mm <sup>2</sup> ... 4 mm <sup>2</sup>
Nominal current	30 A
Maximum load current	30 A (with 10 mm <sup>2</sup> conductor cross-section)
Nominal voltage	500 V
Nominal cross section	6 mm <sup>2</sup>

### Dimensions

# UTME 6 - Test disconnect terminal block



3047400

<https://www.phoenixcontact.com/gb/products/3047400>

Width	8.2 mm
End cover width	2.2 mm
Height	100.8 mm
Depth on NS 35/7,5	49.6 mm
Depth on NS 35/15	57.1 mm

## Material specifications

Color	gray (RAL 7042)
Flammability rating according to UL 94	V0
Insulating material group	I
Insulating material	PA
Static insulating material application in cold	-60 °C
Temperature index of insulation material (DIN EN 60216-1 (VDE 0304-21))	130 °C
Relative insulation material temperature index (Elec., UL 746 B)	130 °C
Fire protection for rail vehicles (DIN EN 45545-2) R22	HL 1 - HL 3
Fire protection for rail vehicles (DIN EN 45545-2) R23	HL 1 - HL 3
Fire protection for rail vehicles (DIN EN 45545-2) R24	HL 1 - HL 3
Fire protection for rail vehicles (DIN EN 45545-2) R26	HL 1 - HL 3
Calorimetric heat release NFPA 130 (ASTM E 1354)	28 MJ/kg
Surface flammability NFPA 130 (ASTM E 162)	passed
Specific optical density of smoke NFPA 130 (ASTM E 662)	passed
Smoke gas toxicity NFPA 130 (SMP 800C)	passed

## Electrical tests

### Surge voltage test

Test voltage setpoint	7.3 kV
Result	Test passed

### Temperature-rise test

Requirement temperature-rise test	Increase in temperature $\leq$ 45 K
Result	Test passed
Short-time withstand current 6 mm <sup>2</sup>	0.72 kA
Short-time withstand current 4 mm <sup>2</sup>	0.5 kA
	0.15 kA
Result	Test passed

### Power-frequency withstand voltage

Test voltage setpoint	1.89 kV
Result	Test passed

## Mechanical properties

### Mechanical data

Open side panel	Yes
-----------------	-----

# UTME 6 - Test disconnect terminal block



3047400

<https://www.phoenixcontact.com/gb/products/3047400>

## Mechanical tests

### Mechanical strength

Result	Test passed
--------	-------------

### Attachment on the carrier

DIN rail/fixing support	NS 35
Test force setpoint	5 N
Result	Test passed

### Test for conductor damage and slackening

Rotation speed	10 rpm
Revolutions	135
Conductor cross-section/weight	0.2 mm <sup>2</sup> / 0.2 kg
	6 mm <sup>2</sup> / 1.4 kg
	10 mm <sup>2</sup> / 2 kg
Result	Test passed

## Environmental and real-life conditions

### Needle-flame test

Time of exposure	30 s
Result	Test passed

### Oscillation/broadband noise

Specification	DIN EN 50155 (VDE 0115-200):2008-03
Spectrum	Long life test category 2, bogie-mounted
Frequency	$f_1 = 5 \text{ Hz}$ to $f_2 = 250 \text{ Hz}$
ASD level	11.83 (m/s <sup>2</sup> )/Hz
Acceleration	4.25g
Test duration per axis	5 h
Test directions	X-, Y- and Z-axis
Result	Test passed

### Shocks

Specification	DIN EN 50155 (VDE 0115-200):2008-03
Pulse shape	Half-sine
Acceleration	30g
Shock duration	18 ms
Number of shocks per direction	3
Test directions	X-, Y- and Z-axis (pos. and neg.)
Result	Test passed

### Ambient conditions

Ambient temperature (operation)	-60 °C ... 110 °C (Operating temperature range incl. self-heating; for max. short-term operating temperature, see RTI Elec.)
---------------------------------	--

# UTME 6 - Test disconnect terminal block



3047400

<https://www.phoenixcontact.com/gb/products/3047400>

Ambient temperature (storage/transport)	-25 °C ... 60 °C (for a short time, not exceeding 24 h, -60 °C to +70 °C)
Ambient temperature (assembly)	-5 °C ... 70 °C
Ambient temperature (actuation)	-5 °C ... 70 °C
Permissible humidity (operation)	20 % ... 90 %
Permissible humidity (storage/transport)	30 % ... 70 %

## Standards and regulations

Connection in acc. with standard	IEC 60947-7-1
----------------------------------	---------------

## Mounting

Mounting type	NS 35/7,5
	NS 35/15

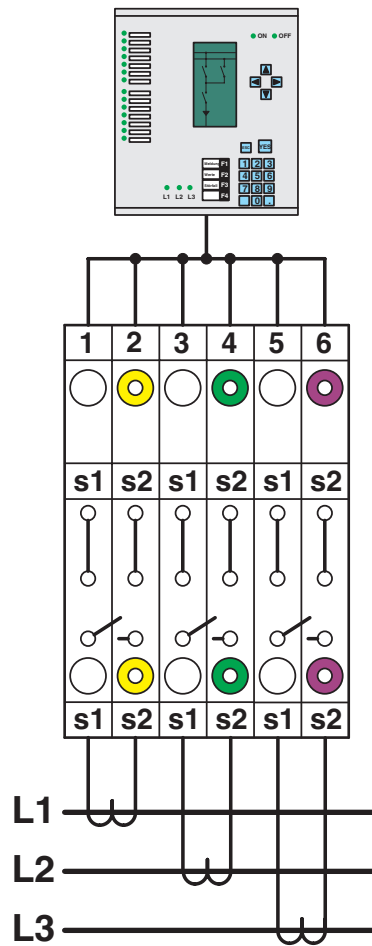
# UTME 6 - Test disconnect terminal block

3047400

<https://www.phoenixcontact.com/gb/products/3047400>

## Drawings

Schematic diagram



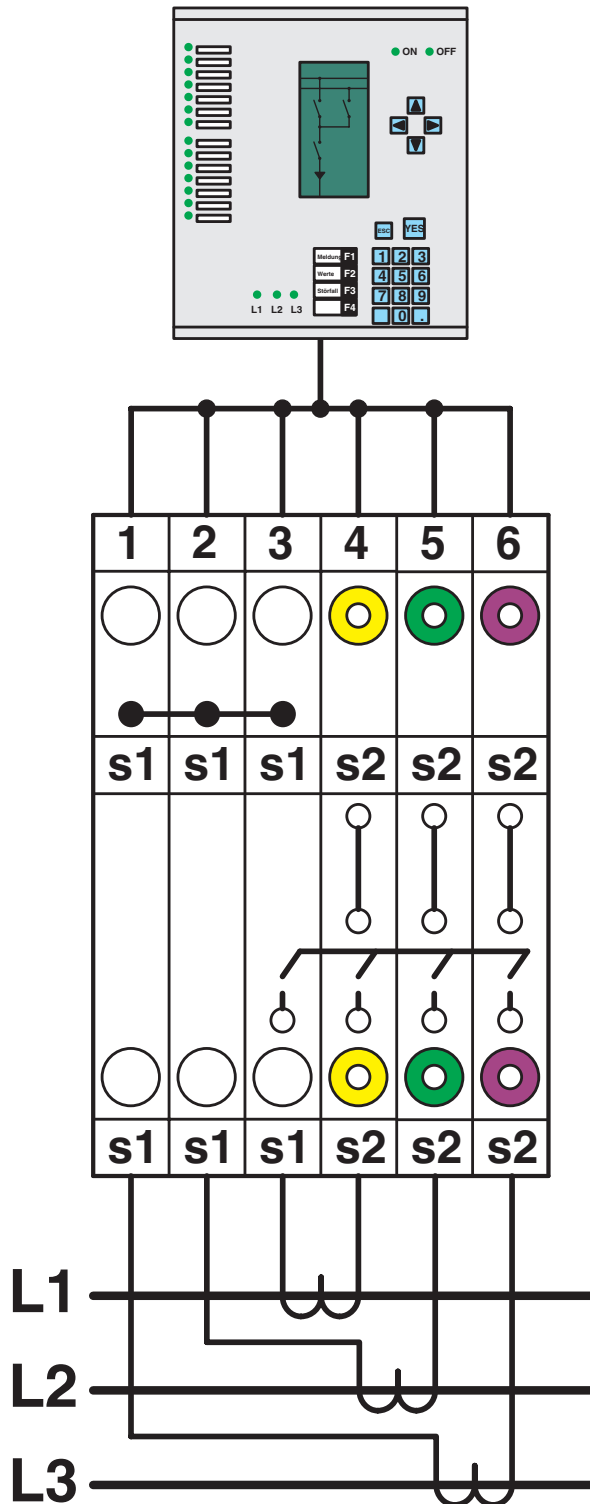
Simple three-phase current transformer set

# UTME 6 - Test disconnect terminal block

3047400

<https://www.phoenixcontact.com/gb/products/3047400>

Schematic diagram



Interlinked three-phase current transformer set

# UTME 6 - Test disconnect terminal block

3047400

<https://www.phoenixcontact.com/gb/products/3047400>

Schematic diagram



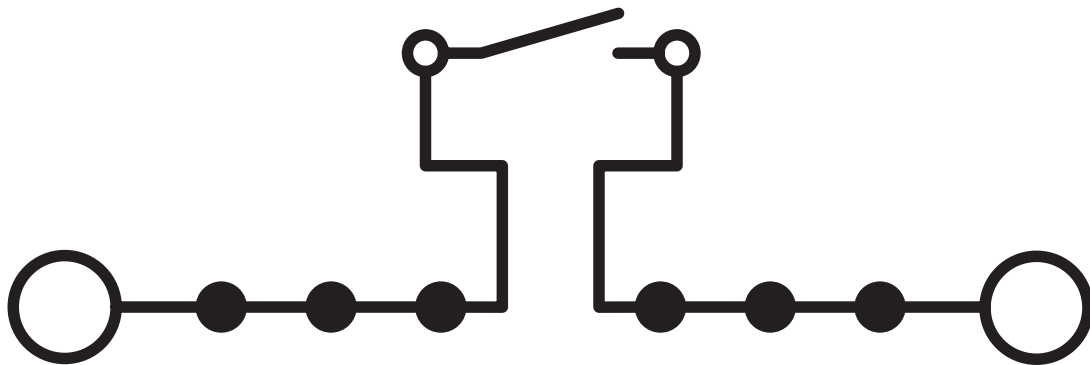
Interlinked three-phase current transformer set with grounded star point

# UTME 6 - Test disconnect terminal block

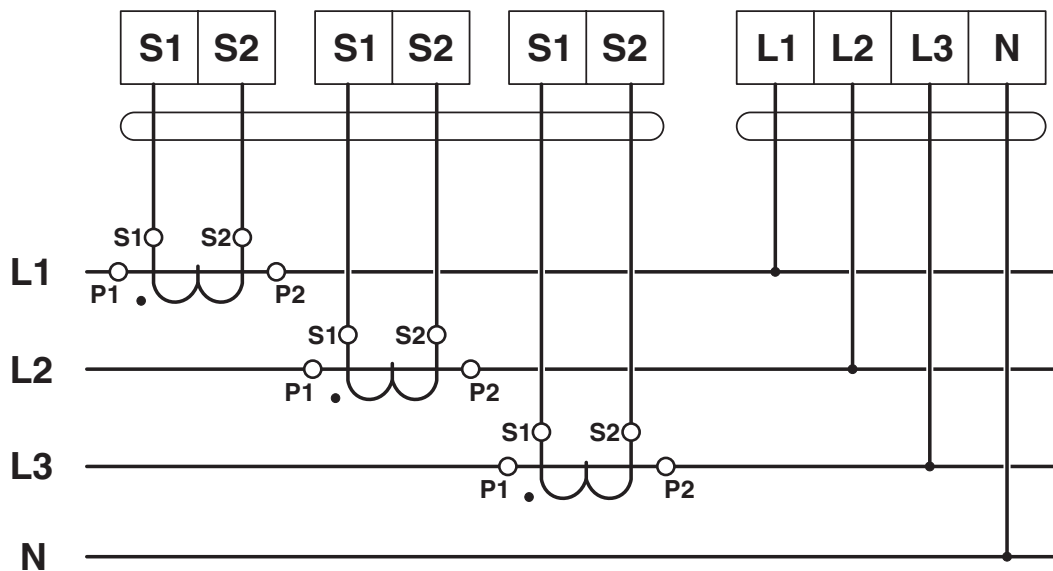
3047400

<https://www.phoenixcontact.com/gb/products/3047400>

Circuit diagram



Circuit diagram



# UTME 6 - Test disconnect terminal block



3047400

<https://www.phoenixcontact.com/gb/products/3047400>

Circuit diagram



# UTME 6 - Test disconnect terminal block




3047400


<https://www.phoenixcontact.com/gb/products/3047400>

## Approvals

To download certificates, visit the product detail page: <https://www.phoenixcontact.com/gb/products/3047400>

 **CSA**  
Approval ID: 13631

 **EAC**  
Approval ID: KZ7500651131219505

 **cULus Recognized**  
Approval ID: E60425

	Nominal voltage $U_N$	Nominal current $I_N$	Cross section AWG	Cross section $\text{mm}^2$
<b>B</b>				
	300 V	30 A	24 - 8	-
Multi-conductor connection	300 V	30 A	24 - 12	-
<b>C</b>				
	300 V	30 A	24 - 8	-
Multi-conductor connection	300 V	30 A	24 - 12	-
<b>D</b>				
	600 V	5 A	24 - 8	-
Multi-conductor connection	600 V	5 A	24 - 12	-

 **CSA**  
Approval ID: 13631

# UTME 6 - Test disconnect terminal block



3047400

<https://www.phoenixcontact.com/gb/products/3047400>

## Classifications

### ECLASS

ECLASS-13.0	27250109
ECLASS-15.0	27250109

### ETIM

ETIM 9.0	EC000902
----------	----------

### UNSPSC

UNSPSC 21.0	39121400
-------------	----------

# UTME 6 - Test disconnect terminal block



3047400

<https://www.phoenixcontact.com/gb/products/3047400>

## Environmental product compliance

### EU RoHS

Fulfills EU RoHS substance requirements	Yes
Exemption	6(c)

### China RoHS

Environment friendly use period (EFUP)	EFUP-50
	An article-related China RoHS declaration table can be found in the download area for the respective article under "Manufacturer declaration". For all articles with EFUP-E, no China RoHS declaration table issued and required.

### EU REACH SVHC

REACH candidate substance (CAS No.)	Lead(CAS: 7439-92-1)
SCIP	e54f44b9-75f5-4e87-80f0-b1fc3454426b

### EF3.0 Climate Change

CO2e kg	0.207 kg CO2e
---------	---------------

Phoenix Contact 2025 © - all rights reserved  
<https://www.phoenixcontact.com>

PHOENIX CONTACT Ltd  
Halesfield 13, Telford  
Shropshire, TF7 4PG  
01952 681700  
[info@phoenixcontact.co.uk](mailto:info@phoenixcontact.co.uk)