

# IL PN BK DI8 DO4 2TX-PAC - Bus coupler



2703994

<https://www.phoenixcontact.com/gb/products/2703994>

Please be informed that the data shown in this PDF document is generated from our online catalog. Please find the complete data in the user documentation. Our general terms of use for downloads are valid.



Inline, Bus coupler, PROFINET, RJ45 jack, Digital inputs: 8, 24 V DC, connection technology: 3-conductor, Digital outputs: 4, 24 V DC, 500 mA, connection technology: 3-conductor, transmission speed in the local bus: 500 kbps / 2 Mbps, degree of protection: IP20

## Product description

The bus coupler with integrated I/Os is intended for use within a PROFINET network and represents the link to the Inline I/O system. Up to 61 Inline devices can be connected to the bus coupler. The bus coupler supports a maximum of 16 PCP devices.

## Your advantages

- 2x Ethernet twisted pair according to 802.3 with auto negotiation and auto crossover
- Transmission speeds 100 Mbps
- IP parameter setting via PROFINET controller
- Connection to the PROFINET network via 8-pos. RJ45 jack
- Electrical isolation between Ethernet interface and logic
- Ethernet TCP/IP (100 Base-TX, management via SNMP)
- Connection of up to 61 other Inline devices
- Connection of a maximum of 16 PCP devices
- Supported protocols: SNMPv1, TFTP, PROFINET, LLDP, ICMP, and MRP (from firmware 3.21)
- PROFINET IRT (firmware 4.00 or later)
- Conformance with PROFINET specification V2.3 (firmware 4.00 or later)
- PROFINET Netload Class III (from firmware 4.00)
- 8 digital inputs, 4 digital outputs (on-board)
- Automatic detection of the transmission speed in the local bus (500 kbps or 2 Mbps)
- Approved for PROFI-safe applications

## Commercial data

Item number	2703994
Packing unit	1 pc
Minimum order quantity	1 pc
Sales key	DRI11A
Product key	DRI11A
GTIN	4046356041164
Weight per piece (including packing)	331.6 g
Weight per piece (excluding packing)	320 g
Customs tariff number	85176200

# IL PN BK DI8 DO4 2TX-PAC - Bus coupler



2703994

<https://www.phoenixcontact.com/gb/products/2703994>

Country of origin	DE
-------------------	----

# IL PN BK DI8 DO4 2TX-PAC - Bus coupler

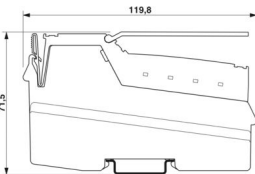


2703994

<https://www.phoenixcontact.com/gb/products/2703994>

## Technical data

### Dimensions

Dimensional drawing	
Width	80 mm
Height	119.8 mm
Depth	71.5 mm
Note on dimensions	Specifications with connectors

### Notes

#### Note on application

Note on application	Only for industrial use
---------------------	-------------------------

#### Utilization restriction

CCCex note	Use in potentially explosive areas is not permitted in China.
------------	---

### Interfaces

#### PROFINET

Number of interfaces	2
Connection method	RJ45 jack
Note on the connection method	Auto negotiation and autocrossing
Transmission speed	100 Mbps (acc. to PROFINET standard)
Transmission physics	Ethernet in RJ45 twisted pair

#### Inline local bus

Connection method	Inline data jumper
Transmission speed	500 kbps / 2 Mbps (automatic detection, no combined system)

### System properties

#### System limits

Number of supported devices	max. 63 (per station)
Number of local bus devices that can be connected	max. 61 (The on-board I/Os are two devices)
Number of devices with parameter channel	max. 16
Number of supported branch terminals with remote bus branch	0

#### PROFINET

Device function	PROFINET device
Update rate	min. 1 ms (depending on the size of the bus system)

# IL PN BK DI8 DO4 2TX-PAC - Bus coupler



2703994

<https://www.phoenixcontact.com/gb/products/2703994>

## Module

ID code (hex)	none
Input address area	8 bit
Output address area	4 bit
Register length	16 bit

## Input data

### Digital:

Input name	Digital inputs
Description of the input	EN 61131-2 type 1
Number of inputs	8
Connection method	Inline connector
Connection technology	3-conductor
Input voltage	24 V DC
Input voltage range "0" signal	-30 V DC ... 5 V DC
Input voltage range "1" signal	15 V DC ... 30 V DC
Nominal input voltage $U_{IN}$	24 V DC
Nominal input current at $U_{IN}$	typ. 3 mA
Typical input current per channel	typ. 3 mA
Typical response time	approx. 500 $\mu$ s
Filter time	3 ms
Delay at signal change from 0 to 1	5 ms
Delay at signal change from 1 to 0	5 ms

## Output data

### Digital:

Output name	Digital outputs
Connection method	Inline connector
Connection technology	3-conductor
Number of outputs	4
Protective circuit	Short-circuit and overload protection; Freewheeling circuit in the output driver
Output voltage	24 V DC -1 V (At nominal current)
Maximum output current per module	max. 2 A
Nominal output voltage	24 V DC
Output current when switched off	max. 10 $\mu$ A (When not loaded, a voltage can be measured even at an output that is not set.)
Nominal load, inductive	12 VA (1.2 H, 48 $\Omega$ )
Nominal load, lamp	12 W
Nominal load, ohmic	12 W
Reverse voltage resistance to short pulses	Reverse voltage proof
Behavior with overload	Auto restart
Behavior with inductive overload	Output can be destroyed

# IL PN BK DI8 DO4 2TX-PAC - Bus coupler



2703994

<https://www.phoenixcontact.com/gb/products/2703994>

Behavior at voltage switch-off	The output follows the power supply without delay
Signal delay	typ. 1.2 ms
Overcurrent shut-down	min. 0.7 A

## Product properties

Product type	I/O component
Product family	Inline
Type	modular
No. of channels	12
Diagnostics messages	Short-circuit or overload of the digital outputs yes
	Sensor supply failure yes
	Failure of the actuator supply yes

## Insulation characteristics

Overvoltage category	II (IEC 60664-1, EN 60664-1)
Pollution degree	2 (IEC 60664-1, EN 60664-1)

## Electrical properties

Maximum power dissipation for nominal condition	4.6 W
---	-------

## Potentials

Protective circuit	Surge protection (segment supply, main supply, bus coupler supply); Suppressor diode, 35 V DC
	Reverse polarity protection (segment supply, main supply, bus coupler supply); Suppressor diode, 35 V DC

Potentials: Bus coupler supply  $U_{BK}$ ; Communications power  $U_L$  (7.5 V) and the analog supply  $U_{ANA}$  (24 V) are generated from the bus coupler supply.

Supply voltage	24 V DC (via Inline connector)
Supply voltage range	19.2 V DC ... 30 V DC (including all tolerances, including ripple)
Current draw	max. 0.91 A (with max. number of connected I/O terminal blocks)
	typ. 138 mA

## Potentials: Communications power ( $U_L$ )

Supply voltage	7.5 V DC
----------------	----------

## Potentials: Supply of analog modules ( $U_{ANA}$ )

Supply voltage	24 V DC
Supply voltage range	19.2 V DC ... 30 V DC (including all tolerances, including ripple)

## Potentials: Main circuit supply ( $U_M$ )

Supply voltage	24 V DC (via Inline connector)
Supply voltage range	19.2 V DC ... 30 V DC (including all tolerances, including ripple)
Current draw	max. 8 A DC
	min. 3 mA (without connected peripherals)

## Potentials: Segment circuit supply ( $U_S$ )

Supply voltage	24 V DC (via Inline connector)
----------------	--------------------------------

# IL PN BK DI8 DO4 2TX-PAC - Bus coupler



2703994

<https://www.phoenixcontact.com/gb/products/2703994>

Supply voltage range	19.2 V DC ... 30 V DC (including all tolerances, including ripple)
Current draw	max. 8 A DC
	min. 3 mA (without connected peripherals)

## Electrical isolation/isolation of the voltage ranges

Test voltage: PROFINET interface 1 / PROFINET interface 2	500 V AC, 50 Hz, 1 min
Test voltage: PROFINET interface 1 / communications power ( $U_{BK}$ , $U_L$ , $U_{ANA}$ )	500 V AC, 50 Hz, 1 min
Test voltage: PROFINET interface 1 / I/O ( $U_M$ , $U_S$ )	500 V AC, 50 Hz, 1 min
Test voltage: PROFINET interface 1 / functional ground	500 V AC, 50 Hz, 1 min
Test voltage: PROFINET interface 2 / communications power ( $U_{BK}$ , $U_L$ , $U_{ANA}$ )	500 V AC, 50 Hz, 1 min
Test voltage: PROFINET interface 2 / I/O ( $U_M$ , $U_S$ )	500 V AC, 50 Hz, 1 min
Test voltage: PROFINET interface 2 / functional ground	500 V AC, 50 Hz, 1 min
Test voltage: Communications power ( $U_{BK}$ , $U_L$ , $U_{ANA}$ ) / I/O ( $U_M$ , $U_S$ )	500 V AC, 50 Hz, 1 min
Test voltage: Communications power ( $U_{BK}$ , $U_L$ , $U_{ANA}$ ) / functional ground	500 V AC, 50 Hz, 1 min
Test voltage: I/O ( $U_M$ , $U_S$ ) / functional ground	500 V AC, 50 Hz, 1 min

## Connection data

### Connection technology

Connection name	Inline connector
-----------------	------------------

### Conductor connection

Connection method	Spring-cage connection
Conductor cross-section rigid	0.08 mm <sup>2</sup> ... 1.5 mm <sup>2</sup>
Conductor cross-section flexible	0.08 mm <sup>2</sup> ... 1.5 mm <sup>2</sup>
Conductor cross-section AWG	28 ... 16
Stripping length	8 mm

### Inline connector

Connection method	Spring-cage connection
Conductor cross-section, rigid	0.08 mm <sup>2</sup> ... 1.5 mm <sup>2</sup>
Conductor cross-section, flexible	0.08 mm <sup>2</sup> ... 1.5 mm <sup>2</sup>
Conductor cross-section AWG	28 ... 16
Stripping length	8 mm

## Environmental and real-life conditions

### Ambient conditions

Ambient temperature (operation)	-25 °C ... 55 °C (observe derating)
Degree of protection	IP20
Air pressure (operation)	70 kPa ... 106 kPa (up to 3000 m above sea level)
Air pressure (storage/transport)	70 kPa ... 106 kPa (up to 3000 m above sea level)
Ambient temperature (storage/transport)	-40 °C ... 85 °C
Permissible humidity (operation)	10 % ... 95 % (non-condensing)

# IL PN BK DI8 DO4 2TX-PAC - Bus coupler



2703994

<https://www.phoenixcontact.com/gb/products/2703994>

Permissible humidity (storage/transport)	10 % ... 95 % (non-condensing)
--	--------------------------------

## Standards and regulations

Protection class	III (IEC 61140, EN 61140, VDE 0140-1)
------------------	---------------------------------------

## Mounting

Mounting type	DIN rail mounting
---------------	-------------------

# IL PN BK DI8 DO4 2TX-PAC - Bus coupler

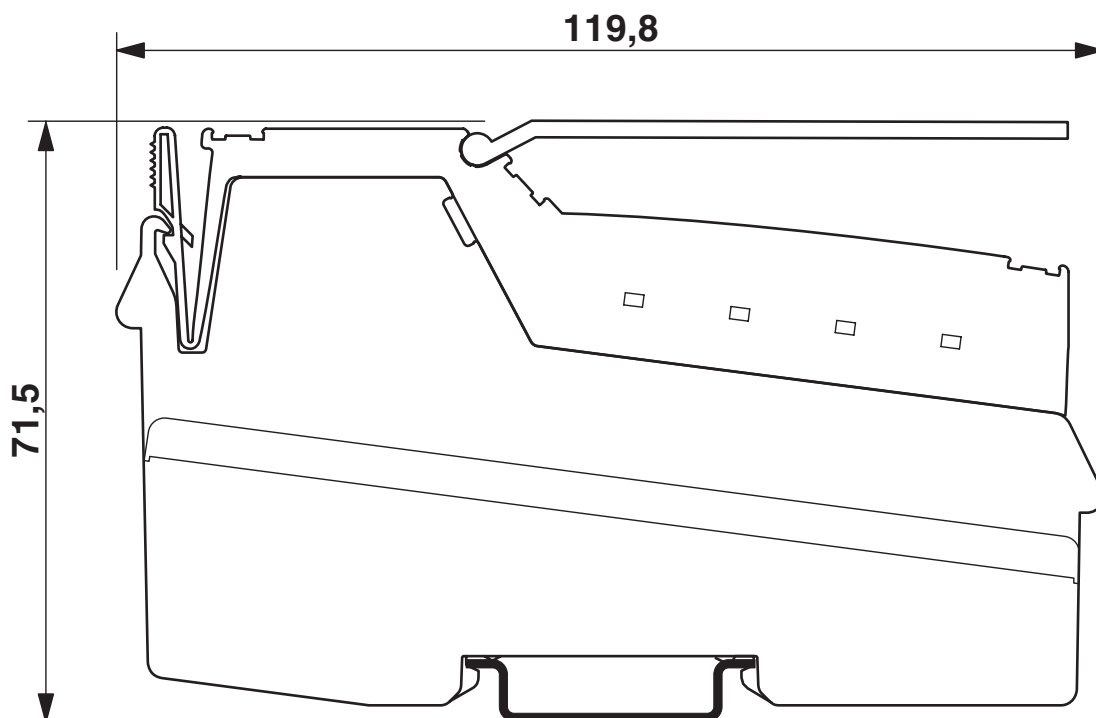


2703994

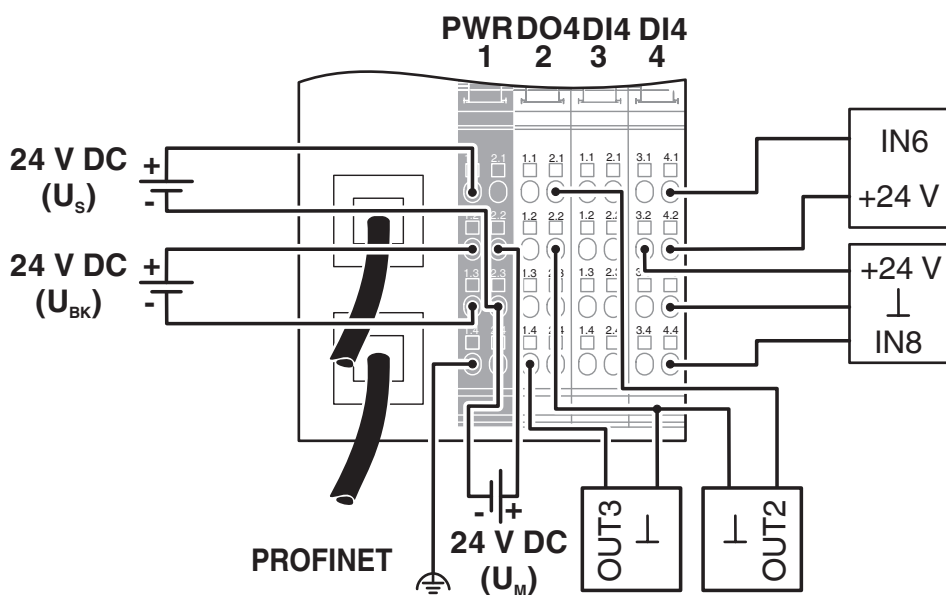
<https://www.phoenixcontact.com/gb/products/2703994>

## Drawings

Dimensional drawing



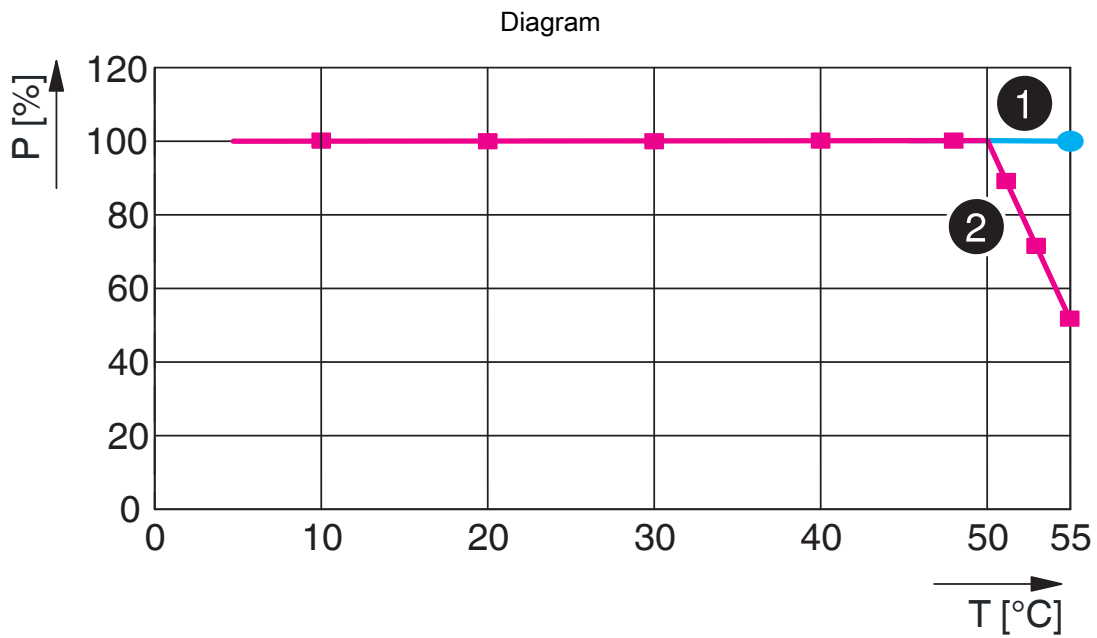
Connection diagram



# IL PN BK DI8 DO4 2TX-PAC - Bus coupler

2703994

<https://www.phoenixcontact.com/gb/products/2703994>



Derating for different mounting positions

1 - Mounting on a horizontal DIN rail

2 - Other mounting positions

P [%] Power dissipation as a percentage

T [°C] Temperature in °C

# IL PN BK DI8 DO4 2TX-PAC - Bus coupler



2703994

<https://www.phoenixcontact.com/gb/products/2703994>

## Approvals

To download certificates, visit the product detail page: <https://www.phoenixcontact.com/gb/products/2703994>



**DNV GL**

Approval ID: TAA00000BN



**RINA**

Approval ID: ELE121121XG

**ABS**

Approval ID: 22-2226444-PDA

**PROFINET**

Approval ID: Z10506



**cULus Listed**

Approval ID: E140324



**BV**

Approval ID: 20989\_C1 BV



**UL Listed**

Approval ID: E199827

# IL PN BK DI8 DO4 2TX-PAC - Bus coupler



2703994

<https://www.phoenixcontact.com/gb/products/2703994>

## Classifications

### ECLASS

ECLASS-13.0	27242608
ECLASS-15.0	27242608

### ETIM

ETIM 9.0	EC001604
----------	----------

### UNSPSC

UNSPSC 21.0	32151600
-------------	----------

2703994

<https://www.phoenixcontact.com/gb/products/2703994>

## Environmental product compliance

### EU RoHS

Fulfills EU RoHS substance requirements	Yes
Exemption	7(a), 7(c)-I

### China RoHS

Environment friendly use period (EFUP)	EFUP-25
	An article-related China RoHS declaration table can be found in the download area for the respective article under "Manufacturer declaration". For all articles with EFUP-E, no China RoHS declaration table issued and required.

### EU REACH SVHC

REACH candidate substance (CAS No.)	Lead(CAS: 7439-92-1)
SCIP	ad0c7e4a-f3b0-4bbf-9667-399c1f5acb09

### EF3.0 Climate Change

CO2e kg	12.23 kg CO2e
---------	---------------

Phoenix Contact 2025 © - all rights reserved  
<https://www.phoenixcontact.com>

PHOENIX CONTACT Ltd  
Halesfield 13, Telford  
Shropshire, TF7 4PG  
01952 681700  
[info@phoenixcontact.co.uk](mailto:info@phoenixcontact.co.uk)