

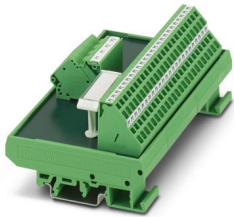
# UMK- PVB 2/48/ZFKDS - Potential distributors



2302382

<https://www.phoenixcontact.com/gb/products/2302382>

Please be informed that the data shown in this PDF document is generated from our online catalog. Please find the complete data in the user documentation. Our general terms of use for downloads are valid.



VARIOFACE module, with two equipotential busbars (P1, P2) for potential distribution, for mounting on NS 35/7.5 or NS 32

## Your advantages

- Consecutive numbering
- Separate supply
- Two potential levels

## Commercial data

Item number	2302382
Packing unit	1 pc
Minimum order quantity	1 pc
Sales key	DK2184
Product key	DK2184
GTIN	4017918880507
Weight per piece (including packing)	229.6 g
Weight per piece (excluding packing)	184.17 g
Customs tariff number	85369010
Country of origin	DE

## Technical data

### Notes

Notes on operation	The necessary requirements for insulation (basic insulation or reinforced insulation) from adjacent modules (in DIN-rail direction) must be realized by applying suitable measures (e. g., partition plates).
Notes on operation	Ensure that the supply voltage of the device has a common reference potential.
Notes on operation	For proper use, the specifications of the installation directive (see Downloads) must be observed. For applications or use with third-party products, the specifications, and the safety and warning instructions of the respective third-party manufacturer must also be met.

### Product properties

Product type	Potential distributor
Product family	VARIOFACE

### Insulation characteristics

Insulation	Functional insulation
Pollution degree	2

### Electrical properties

Nominal voltage $U_N$	250 V AC/DC
Max. current carrying capacity per branch	17 A
Max. total current of all branches	32 A (per potential)
Rated insulation voltage	260 V
Rated surge voltage	2.3 kV

### Connection data

#### Feed-in

Connection method	Spring-cage connection
Stripping length	8 mm
Number of connections	2
Conductor cross-section rigid	0.2 mm <sup>2</sup> ... 6 mm <sup>2</sup>
Conductor cross-section flexible	0.2 mm <sup>2</sup> ... 4 mm <sup>2</sup>
Conductor cross-section AWG	24 ... 10

#### Distribution

Connection method	Spring-cage connection
Stripping length	8 mm
Number of connections	48
Conductor cross-section rigid	0.2 mm <sup>2</sup> ... 4 mm <sup>2</sup>
Conductor cross-section flexible	0.2 mm <sup>2</sup> ... 2.5 mm <sup>2</sup>
Conductor cross-section AWG	24 ... 12

# UMK- PVB 2/48/ZFKDS - Potential distributors



2302382

<https://www.phoenixcontact.com/gb/products/2302382>

## Dimensions

Width	135 mm
Height	77 mm
Depth	51.5 mm

## Material specifications

Color	green (RAL 6021)
-------	------------------

## Environmental and real-life conditions

### Ambient conditions

Degree of protection	IP20
Ambient temperature (operation)	-20 °C ... 50 °C
Ambient temperature (storage/transport)	-20 °C ... 70 °C

## Standards and regulations

Standards/regulations	EN IEC 61010-2-201
-----------------------	--------------------

## Mounting

Mounting type	DIN rail mounting
Mounting position	any

# UMK- PVB 2/48/ZFKDS - Potential distributors

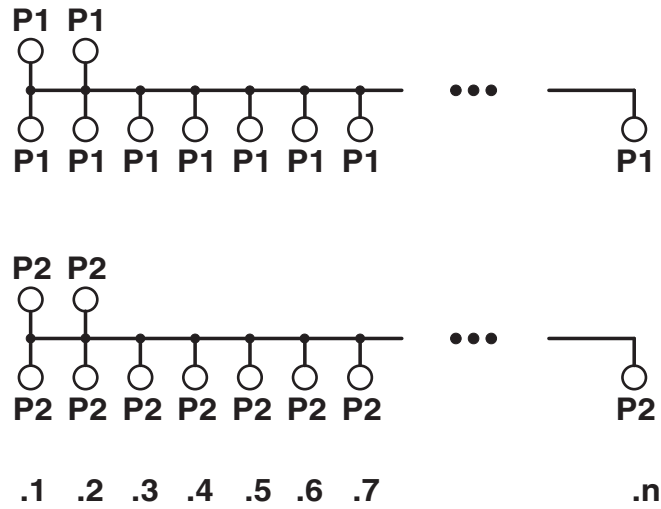


2302382

<https://www.phoenixcontact.com/gb/products/2302382>

## Drawings

Circuit diagram



# UMK- PVB 2/48/ZFKDS - Potential distributors





2302382


<https://www.phoenixcontact.com/gb/products/2302382>

## Approvals

To download certificates, visit the product detail page: <https://www.phoenixcontact.com/gb/products/2302382>

 <b>cUL Recognized</b> Approval ID: E238705				
	Nominal voltage $U_N$	Nominal current $I_N$	Cross section AWG	Cross section $mm^2$
keine				
	250 V	10 A	-	-

 <b>UL Recognized</b> Approval ID: E238705				
	Nominal voltage $U_N$	Nominal current $I_N$	Cross section AWG	Cross section $mm^2$
keine				
	250 V	10 A	-	-

 <b>EAC</b> Approval ID: RU*DE.*09.B.00387/20	
---	--

# UMK- PVB 2/48/ZFKDS - Potential distributors



2302382

<https://www.phoenixcontact.com/gb/products/2302382>

## Classifications

### ECLASS

ECLASS-13.0	27400609
ECLASS-15.0	27400609

### ETIM

ETIM 9.0	EC001894
----------	----------

### UNSPSC

UNSPSC 21.0	39121400
-------------	----------

# UMK- PVB 2/48/ZFKDS - Potential distributors



2302382

<https://www.phoenixcontact.com/gb/products/2302382>

## Environmental product compliance

### EU RoHS

Fulfills EU RoHS substance requirements	Yes, No exemptions
---	--------------------

### China RoHS

Environment friendly use period (EFUP)	EFUP-E
	No hazardous substances above the limits

### EU REACH SVHC

REACH candidate substance (CAS No.)	No substance above 0.1 wt%
-------------------------------------	----------------------------

Phoenix Contact 2025 © - all rights reserved  
<https://www.phoenixcontact.com>

PHOENIX CONTACT Ltd  
Halesfield 13, Telford  
Shropshire, TF7 4PG  
01952 681700  
[info@phoenixcontact.co.uk](mailto:info@phoenixcontact.co.uk)