

5022818

<https://www.phoenixcontact.com/gb/products/5022818>

Please be informed that the data shown in this PDF document is generated from our online catalog. Please find the complete data in the user documentation. Our general terms of use for downloads are valid.



Holding profile, snaps into the cover holder APK-TU, with groove for Zack strip ZB 5 to ZB 10, length: 2 m

Your advantages

- Can be labeled
- Protection against environmental influences
- Covering of live parts

Commercial data

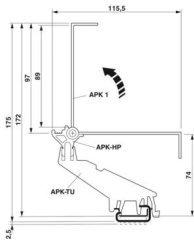
Item number	5022818
Packing unit	1 pc
Minimum order quantity	1 pc
Sales key	BE61ZX
Product key	BE61ZX
GTIN	4017918095314
Weight per piece (including packing)	235 g
Weight per piece (excluding packing)	235 g
Customs tariff number	39162000
Country of origin	DE

Technical data

Product properties

Product type	Cover profile
--------------	---------------

Dimensions

Dimensional drawing	
Width	27 mm
Height	2000 mm
Length	2000 mm

Material specifications

Color	gray (RAL 7042)
Material	PA
Flammability rating according to UL 94	V2
Components	free from silicone and halogen

Environmental and real-life conditions

Ambient conditions

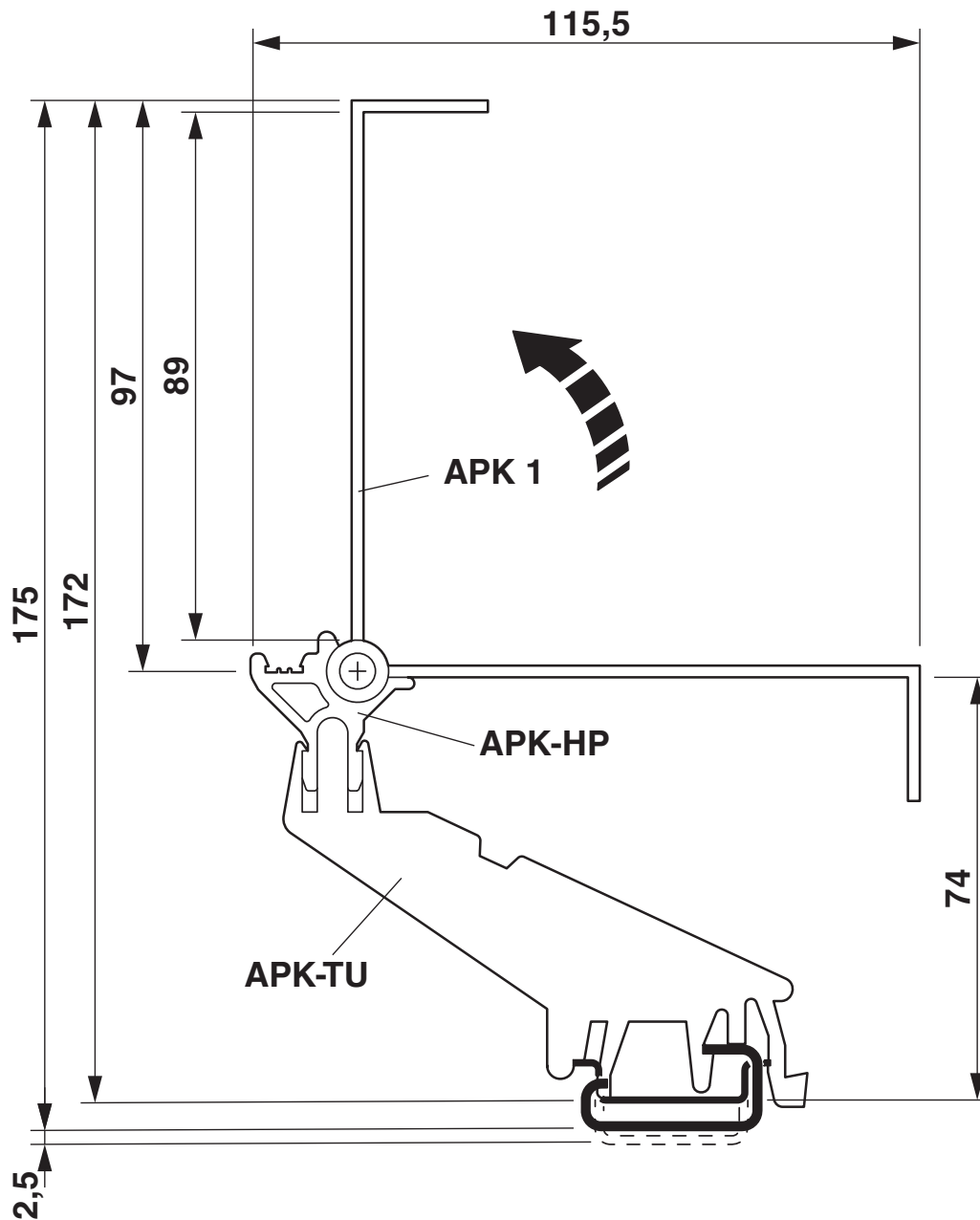
Ambient temperature (operation)	-40 °C ... 115 °C
---------------------------------	-------------------

Mounting

Mounting type	Snap in
---------------	---------

Drawings

Dimensional drawing



Classifications

ECLASS

ECLASS-13.0	27250301
ECLASS-15.0	27250301

ETIM

ETIM 9.0	EC000886
----------	----------

UNSPSC

UNSPSC 21.0	39121400
-------------	----------

Environmental product compliance

EU RoHS

Fulfills EU RoHS substance requirements	Yes, No exemptions
---	--------------------

China RoHS

Environment friendly use period (EFUP)	EFUP-E
	No hazardous substances above the limits

EU REACH SVHC

REACH candidate substance (CAS No.)	No substance above 0.1 wt%
-------------------------------------	----------------------------