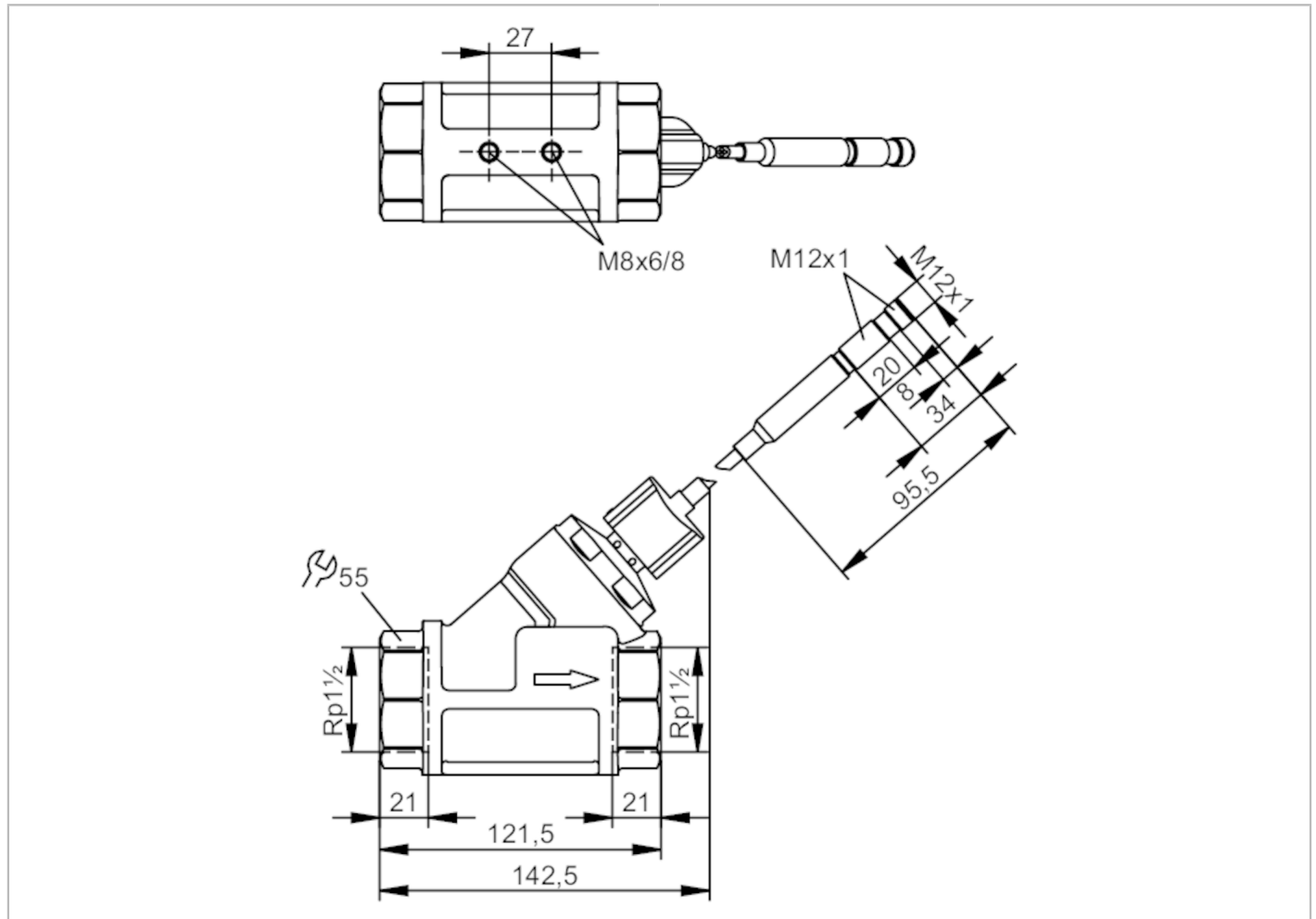


SBT657



Flow transmitter with integrated backflow prevention

SBT32XKX10KG/O/US



| Product characteristics | |
|-----------------------------|--|
| Measuring range | [l/min] 4...200 |
| Process connection | threaded connection Rp 1 1/2 internal thread |
| Application | |
| Media | Liquids; water |
| Medium temperature | [°C] 10...180 |
| Pressure rating | 25 bar 2.5 MPa |
| Note on pressure rating | static |
| Electrical data | |
| Operating voltage tolerance | [%] -15...10 |
| Operating voltage | [V] 24 DC; (to SELV/PELV) |
| Current consumption | [mA] < 35 |
| Protection class | III |
| Reverse polarity protection | yes |
| Outputs | |
| Output signal | analogue signal |
| Analogue current output | [mA] 4...20 |

SBT657



Flow transmitter with integrated backflow prevention

SBT32XKX10KG/O/US

| | | |
|--------------------------------|------------------------|---|
| Max. load | [Ω] | 500 |
| Short-circuit protection | | yes |
| Overload protection | | yes |
| Measuring/setting range | | |
| Measuring range | [l/min] | 4...200 |
| Accuracy / deviations | | |
| Repeatability | | 1 |
| | [% of the final value] | |
| Measuring error | | ± 5 |
| | [% of the final value] | |
| Response times | | |
| Response time | [s] | < 0.01 |
| Operating conditions | | |
| Ambient temperature | [°C] | 0...60 |
| Storage temperature | [°C] | -15...80 |
| Protection | | IP 65; IP 67 |
| Tests / approvals | | |
| EMC | DIN EN 61000-6-2 | |
| | DIN EN 61000-6-3 | |
| Shock resistance | DIN EN 60068-2-27 | 20 g (11 ms) |
| Vibration resistance | DIN EN 60068-2-6 | 5 g (10...2000 Hz) |
| MTTF | [years] | 393 |
| Mechanical data | | |
| Weight | [g] | 2423.7 |
| Materials | | brass white bronze coated; PPS; copper alloy; aluminium anodised; PEI; silicone; O-ring: EPDM; FKM |
| Materials (wetted parts) | | stainless steel (316 / 1.4401); stainless steel (304/1.4301); brass; brass chemically nickel-plated; PPS; O-ring: FKM; magnet: metallic alloy nickel-plated; Two-component adhesive |
| Process connection | | threaded connection Rp 1 1/2 internal thread |
| Switching cycles mechanical | | 10 million |
| Remarks | | |
| Remarks | | Recommendation Use 200 micron filtration All data refer to water (20 °C). |
| Pack quantity | | 1 pcs. |

SBT657



Flow transmitter with integrated backflow prevention

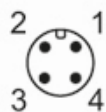
SBT32XKX10KG/O/US

Electrical connection

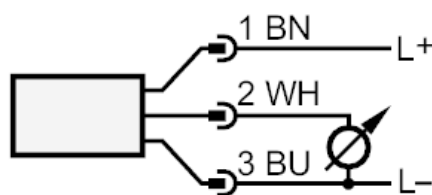
Cable: 0.3 m, silicone

Electrical connection - plug

Connector: 1 x M12; coding: A



Connection

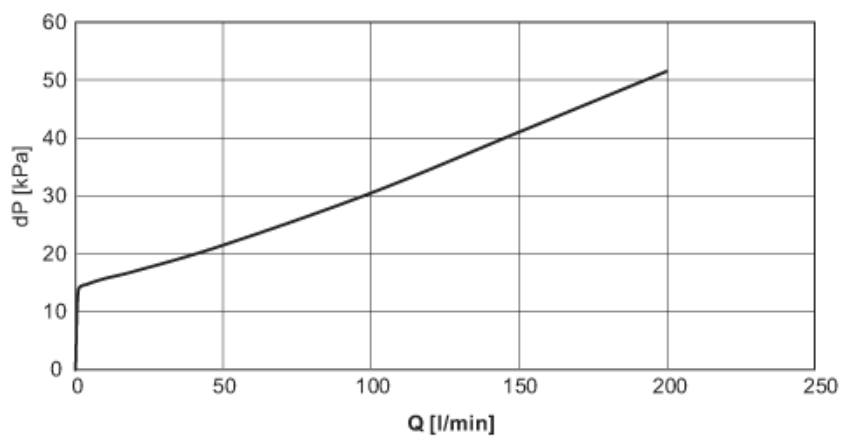


colours to DIN EN 60947-5-2

Core colours :

BN = brown
BU = blue
WH = white

Diagrams and graphs



dP Pressure loss

Q volumetric flow quantity