

Fixed-mounted circuit breaker IEC 60947-2, frame size 3, 3-poles, $I_n=4000\text{A}$ up to 690V AC 50/60Hz, breaking capacity $C I_{cu}=150\text{kA}$ at 690V, Trip unit ETU600 LSIG upgrade ready, color display, bluetooth and USB interface, Protection LT, ST, INST, GFx, N-protection required an external N-sensor, incl. trip alarm switch (1xCO), rear connection horizontal, with internal voltage tap on lower stab of circuit breaker, with voltage tap module VTM680 and power supply of ETU600, able to communication, integrated metering type PMF-2 Basic Power Monitoring, Voltage, Energy, Power, Power factor, Frequency, Unbalance, Temperature, Manual operating mechanism with mechanical closing, without Spring charging motor, Ready-to-close signal. switch, Auxiliary switches 2NO+2NC, without Closing coil (CC), manual operating mechanism with mechanical closing, without Remote trip alarm reset coil (RR), without 2nd shunt trip, without 1st Shunt trip

Model	
product brand name	SENTRON
product designation	Air circuit breaker
suitability for use	circuit breaker
size of the circuit-breaker	III
number of poles	3
position / of neutral conductor	no internal N-conductor
fastening method	fixed-mounted circuit breakers
design of the product	AC application
type of the driving mechanism	manual operating mechanism with mechanical or electrical closing
design of the electronic trip unit	ETU600 LSIG
Weight	104.825 kg
Net Weight	86.825 kg
General technical data	
insulation voltage / rated value	1000 V
operating voltage / at AC / at 50/60 Hz / rated value	690 V
power loss [W] / maximum	520 W
Current	
continuous current / rated value / maximum	4000 A
continuous current / rated value	4000 A
operational current	
• at 40 °C / rated value	4000 A
• at 45 °C / rated value	4000 A
• at 50 °C / rated value	4000 A
• at 55 °C / rated value	4000 A
• at 60 °C / rated value	4000 A
• at 65 °C / rated value	4000 A
• at 70 °C / rated value	4000 A
Switching capacity and short-time withstand current, according to IEC 60947-2	
switching capacity class of the circuit breaker	C
maximum short-circuit current breaking capacity (I_{cu})	
• at 500 V / rated value	150 kA
• at 690 V / rated value	150 kA
operating short-circuit current breaking capacity (I_{cs})	
• at 500 V / rated value	150 kA
• at 690 V / rated value	150 kA
short-circuit current making capacity (I_{cm})	
• at 500 V / rated value	330 kA
• at 690 V / rated value	330 kA
short-time withstand current (I_{cw}) / at 500 V AC	

<ul style="list-style-type: none"> • for 0.5 s / rated value 	130 kA
<ul style="list-style-type: none"> • for 1 s / rated value 	130 kA
<ul style="list-style-type: none"> • for 2 s / rated value 	130 kA
<ul style="list-style-type: none"> • for 3 s / rated value 	130 kA
short-time withstand current (I _{cw}) / at 690 V AC	
<ul style="list-style-type: none"> • for 0.5 s / rated value 	130 kA
<ul style="list-style-type: none"> • for 1 s / rated value 	130 kA
<ul style="list-style-type: none"> • for 2 s / rated value 	130 kA
<ul style="list-style-type: none"> • for 3 s / rated value 	130 kA
Electronic release unit	
product feature	
<ul style="list-style-type: none"> • upgradable 	Yes
<ul style="list-style-type: none"> • Bluetooth and USB interface 	Yes
<ul style="list-style-type: none"> • decoder for basic protection functions 	Yes
<ul style="list-style-type: none"> • display and function keys 	Yes
<ul style="list-style-type: none"> • SENTRON powerconfig configuration software 	Yes
position / for voltage tap	bottom
Basic protection functions	
product feature / for L-tripping	
<ul style="list-style-type: none"> • can be switched on/off 	Yes
<ul style="list-style-type: none"> • selectable characteristic function 	Yes
<ul style="list-style-type: none"> • decoder and infinite adjustability are selectable with eSet 	Yes
set values setting current (I _r) / for L-tripping / with I _{2t} characteristic	0.5; 0.6; 0.7; 0.75; 0.8; 0.85; 0.9; 0.95; 1
reference value setting current (I _r) / for L-tripping / with I _{2t} characteristic	x I _n
set values delay time (t _r) / for L-tripping / with I _{2t} characteristic	1;2;5;8;10;14;17;21;25
reference value delay time (t _r) / for L-tripping / with I _{2t} characteristic	s
set values setting current (I _r) / for L-tripping / with I _{2t} characteristic / for eSet	0.4-1;0.001
adjustable absolute value setting current (I _r) / for L-tripping / with I _{2t} characteristic / for eSet	
<ul style="list-style-type: none"> • minimum 	1600 A
<ul style="list-style-type: none"> • maximum 	4000 A
set values delay time (t _r) / for L-tripping / with I _{2t} characteristic / for eSet	0.5-30;0.001
set values setting current (I _r) / for L-tripping / with I _{4t} characteristic / for eSet	0.4-1;0.001
set values delay time (t _r) / for L-tripping / with I _{4t} characteristic / for eSet	0.5-5;0.001
adjustable absolute value setting current (I _r) / for L-tripping / with I _{4t} characteristic / for eSet	
<ul style="list-style-type: none"> • minimum 	1600 A
<ul style="list-style-type: none"> • maximum 	4000 A
L: Overload protection N-conductor	
product feature / with neutral conductor protection / can be switched on/off	Yes
setting values setting current (I _{nN}) / for N-tripping	0.2-2;0.001
reference value setting current (I _{nN}) / for N-tripping	x I _n
adjustable setting current (I _{nN}) / for N-tripping	
<ul style="list-style-type: none"> • minimum 	800 A
<ul style="list-style-type: none"> • maximum 	8000 A
S: delayed short-circuit protection ST	
product feature / for S-tripping	
<ul style="list-style-type: none"> • independent of direction / can be switched on/off 	Yes
<ul style="list-style-type: none"> • independent of direction / selectable characteristic function 	Yes
<ul style="list-style-type: none"> • decoder and infinite adjustability are selectable with eSet 	Yes
S: delayed short-circuit protection ST, settings values I_{0t}	
set values setting current (I _{sd}) / for S-tripping / with I _{0t} characteristic	1.5;2;2.5;3;4;5;6;8;10
reference value setting current (I _{sd}) / for S-tripping / with I _{0t} characteristic	x I _r

set values delay time (tsd) / for S-tripping / with I0t characteristic	0.08;0.15;0.22;0.3;0.4
reference value delay time (tsd) / for S-tripping / with I0t characteristic	s
set values setting current (Isd) / for S-tripping / with I0t characteristic / for eSet / independent of direction	0.6-10;0.001
adjustable absolute value setting current (Isd)	
<ul style="list-style-type: none"> for S-tripping / with I0t characteristic / for eSet / independent of direction / minimum 	2400 A
<ul style="list-style-type: none"> at 500 V / for S-tripping / with I0t characteristic / for eSet / independent of direction / maximum 	104 kA
<ul style="list-style-type: none"> at 690 V / for S-tripping / with I0t characteristic / for eSet / independent of direction / maximum 	104 kA
set values delay time (tsd) / for S-tripping / with I0t characteristic / for eSet / independent of direction	0.02-0.4;0.001
S: delayed short-circuit protection ST, settings values I2t	
set values setting current (Isd) / for S-tripping / with I2t characteristic	1.5;2;2.5;3;4;5;6;8;10
reference value setting current (Isd) / for S-tripping / with I2t characteristic	x Ir
set values delay time (tsd) / for S-tripping / with I2t characteristic	0.1;0.2;0.3;0.4
set values setting current (Isd) / for S-tripping / with I2t characteristic / for eSet / independent of direction	0.6-10;0.001
adjustable absolute value setting current (Isd)	
<ul style="list-style-type: none"> for S-tripping / with I2t characteristic / for eSet / independent of direction / minimum 	2400 A
<ul style="list-style-type: none"> at 500 V / for S-tripping / with I2t characteristic / for eSet / independent of direction / maximum 	104 kA
<ul style="list-style-type: none"> at 690 V / for S-tripping / with I2t characteristic / for eSet / independent of direction / maximum 	104 kA
set values delay time (tsd) / for S-tripping / with I2t characteristic / for eSet / independent of direction	0.02-0.4; 0.001
product feature / for I-tripping	
<ul style="list-style-type: none"> can be switched on/off 	Yes
<ul style="list-style-type: none"> decoder and infinite adjustability are selectable (with eSet) 	Yes
set values setting current (Ii) / for I-tripping	1.5;2;3;4;6;8;10;12;15
reference value setting current (Ii) / for I-tripping	x In
tripping factor setting current (Iimax) / for I-tripping	0.8
reference value setting current (Iimax) / for I-tripping	x Ics
set values setting current (Ii) / for I-tripping / for eSet	1.5-15;0.001
adjustable absolute value setting current (Ii)	
<ul style="list-style-type: none"> for I-tripping / for eSet / minimum 	6000 A
<ul style="list-style-type: none"> at 500 V / for I-tripping / for eSet / maximum 	120 kA
<ul style="list-style-type: none"> at 690 V / for I-tripping / for eSet / maximum 	120 kA
G: ground fault GF	
product feature / for G-tripping	
<ul style="list-style-type: none"> can be switched on/off 	Yes
<ul style="list-style-type: none"> selectable characteristic function 	Yes
set values setting current (Ilg) / for G-tripping / with I0t characteristic	0.075-0.5;0.001
reference value setting current (Ilg) / for G-tripping / with I0t characteristic	x In
set values delay time (tgg) / for G-tripping / with I0t characteristic	0.02-30;0.001
reference value delay time (tgg) / for G-tripping / with I0t characteristic	s
set values setting current (Ilg) / for G-tripping / with I2t characteristic	0.075-0.5;0.001
reference value setting current (Ilg) / for G-tripping / with I2t characteristic	x In
set values delay time (tgg) / for G-tripping / with I2t characteristic	0.02-30; 0.001
reference value delay time (tgg) / for G-tripping / with I2t characteristic	s
Further protective functions	
protection function	
<ul style="list-style-type: none"> maintenance mode DAS+ 	Yes
<ul style="list-style-type: none"> second protection parameter set 	Yes
<ul style="list-style-type: none"> directional short-circuit protection dST 	Yes

• reverse power protection RP	Yes
• expanded protection function EPF	Yes

Measuring functions

type of measurement function	PMF-II
measurement function	
• type according to IEC 61557-12	Yes
• current measurement	Yes
• measurement of voltage and active energy	Yes
• measurement of energy, performance, power factor, frequency	Yes

Communication

communication function / prepared for communication (Ready4COM)	Yes
communication function	Yes

Service Life

mechanical service life (operating cycles)	
• without support / typical	5000
• with support / typical	10000
electrical endurance (operating cycles)	
• at 690 V / without support / typical	1000
• at 690 V / with support / typical	10000

Dimensions

height	462 mm
width	704 mm
depth	357 mm

Main connection

arrangement of electrical connectors / for main current circuit	main connection on the rear, horizontal
---	---

Auxiliary circuit

design of the auxiliary switch	2 NO + 2 NC
number of NC contacts / for auxiliary contacts	2
number of NO contacts / for auxiliary contacts	2
number of CO contacts / for auxiliary contacts	0

Internal accessories

product component	
• undervoltage release	No
• voltage trigger	No
• trip indicator	Yes
• motor drive	No

Environmental conditions

protection class IP / on the front	IP20
ambient temperature / during operation	
• minimum	-40 °C
• maximum	70 °C
ambient temperature / during storage	
• minimum	-40 °C
• maximum	80 °C

Certificates

reference code	
• according to IEC 81346-2	Q

Approvals / Certificates

General Product Approval	EMV
--------------------------	-----



Radio Equipment Type Approval Certificate	Test Certificates
---	-------------------

[Miscellaneous](#)



[Miscellaneous](#)

[FCC](#)

[Special Test Certificate](#)

[Miscellaneous](#)

Maritime application

other



other

Dangerous goods

Environment

[Manufacturer Declaration](#)

[Confirmation](#)

[Dangerous goods information](#)

[Transport Information](#)



Environment



Further information

Information on the packaging

<https://support.industry.siemens.com/cs/ww/en/view/109813875>

Information for data generation and storage

<https://support.industry.siemens.com/cs/ww/en/view/109995012>

Industry Mall (Online ordering system)

<https://mall.industry.siemens.com/mall/en/en/Catalog/product?mlfb=3WA1340-6FF02-0AA0>

Service&Support (Manuals, Certificates, Characteristics, FAQs,...)

<https://support.industry.siemens.com/cs/ww/en/ps/3WA1340-6FF02-0AA0>

Image database (product images, 2D dimension drawings, 3D models, device circuit diagrams, ...)

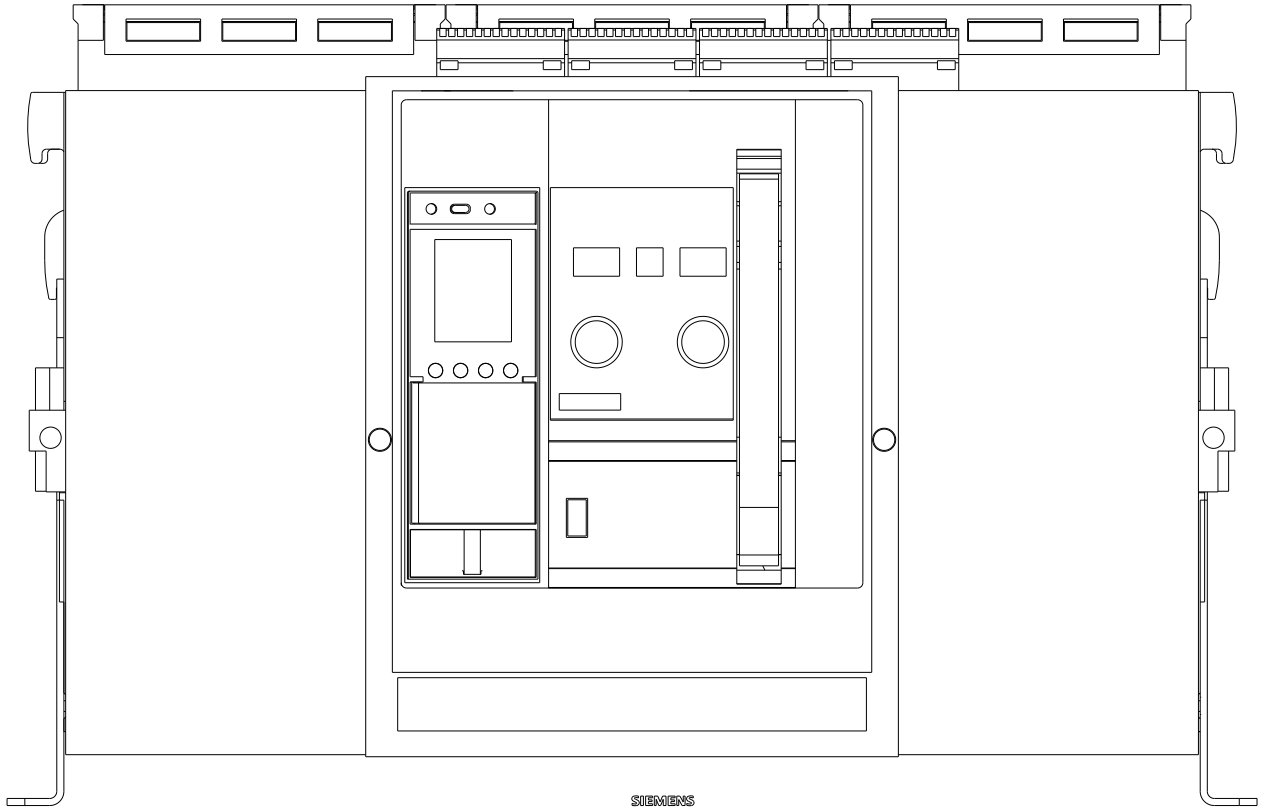
http://www.automation.siemens.com/bilddb/cax_en.aspx?mlfb=3WA1340-6FF02-0AA0

CAx-Online-Generator

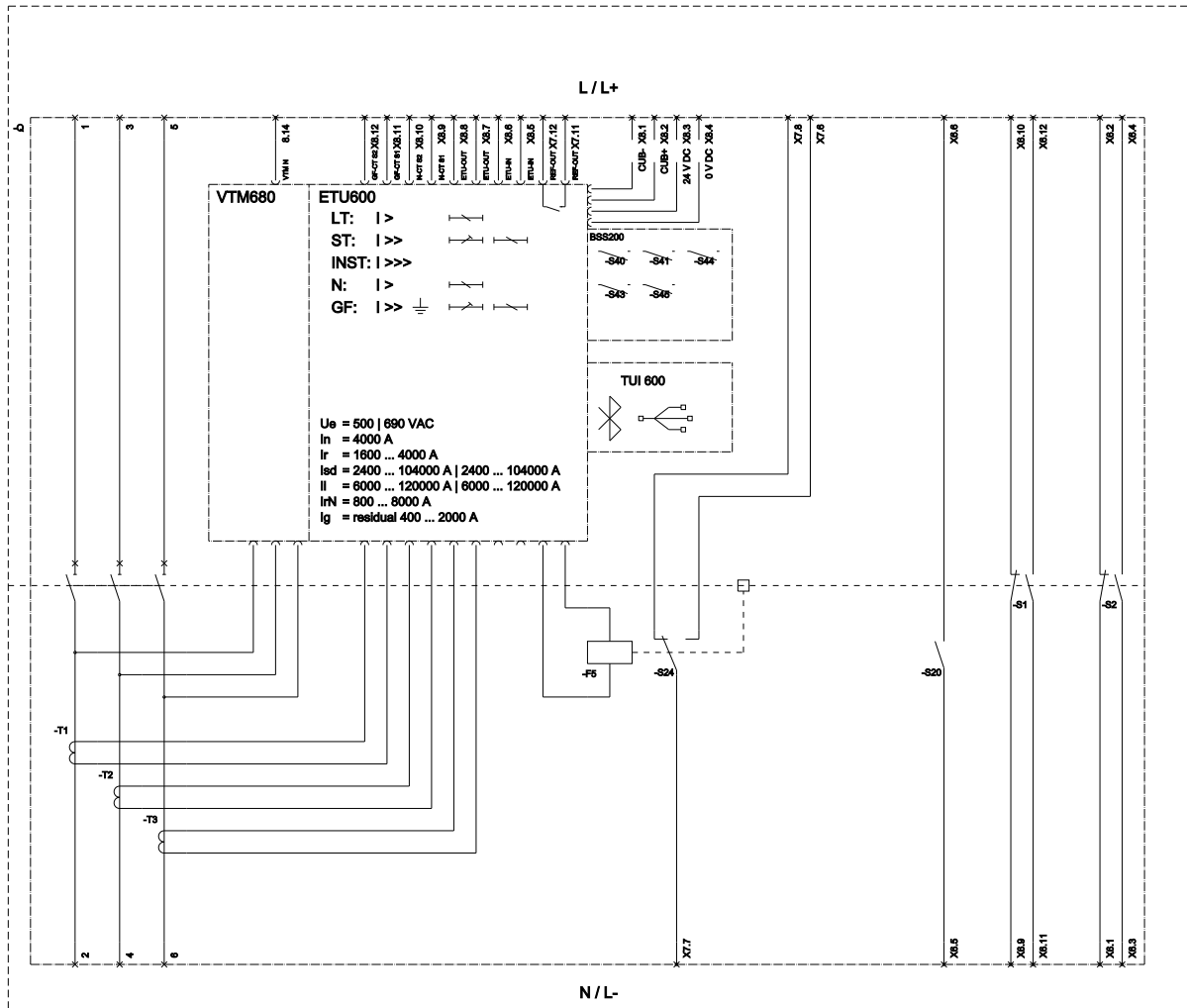
<http://www.siemens.com/cax>

Information- and Downloadcenter (catalogues, leaflets,...)

<http://www.siemens.com/energy-automation>



SIEMENS



G (Ground Fault Protection / Erdberührungsschutz), LT (Long Time Delay / Überstromschutz), ST (Short Time Delay / Kurzschlusschutz, kurzzeitverzögerter), INST (Instantaneous / Kurzschlusschutz, unverzögerter), N (Neutral Protection / Neutralleiterberührungsschutz), CF (Ground Fault Protection / Erdberührungsschutz), F5 (Magnetisch für trip unit / Auslöseorgan), S24 (IAS: 1st trip alarm switch (Reset position) / Erste Ausgabelenkenntschalter (Reset Position), S1-S8 (ALIC: Auxiliary switch / Hilfsberührungsschalter), S20 (KTC: Ready to close signalling switch / Hinreichbarbereitschaftsmeldeschalter), Informationen zur BSS200 / Informationen zur BSS200, S40: Ready-to-close status / Hinreichbarbereitschaft, S41: Spring charge status / Spindelzustand, S42: Second auxiliary release / Zweiter Hilfskontakt, S44: (On-Off / Ein-Aus), S45: Trip alarm switch / Ausgabelenkenntschalter

last modified:

2/18/2024

