



rotary operator with shaft stub for 8UC retrofit accessory for: 3VA51

Model	
product brand name	SETRON
product designation	Rotary operator with shaft stub
accessories	Rotary operator with shaft stub
Mechanical Design	
height	70 mm
width	77 mm
Certificates	
General Product Approval	EMV



EG-Konf.




UL

[Miscellaneous](#)



RCM

Maritime application	other	Environment			
 LRS	<a href="#">Confirmation</a>	<a href="#">Miscellaneous</a>	<a href="#">Environmental Con- firmations</a>	<a href="#">Environmental Con- firmations</a>	

### Further information

Information on the packaging

<https://support.industry.siemens.com/cs/ww/en/view/109813875>

Information for data generation and storage

<https://support.industry.siemens.com/cs/ww/en/view/109995012>

Information- and Downloadcenter (Catalogs, Brochures,...)

<http://www.siemens.com/lowvoltage/catalogs>

Industry Mall (Online ordering system)

<https://mall.industry.siemens.com/mall/en/en/Catalog/product?mlfb=3VA9137-0GK00>

Service&Support (Manuals, Certificates, Characteristics, FAQs,...)

<https://support.industry.siemens.com/cs/ww/en/ps/3VA9137-0GK00>

Image database (product images, 2D dimension drawings, 3D models, device circuit diagrams, ...)

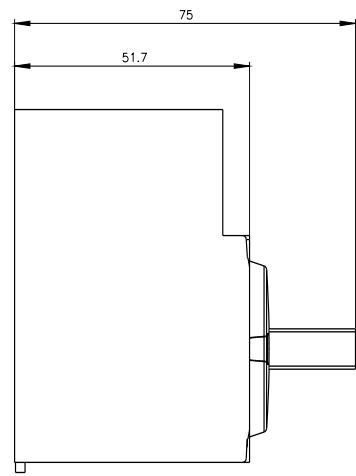
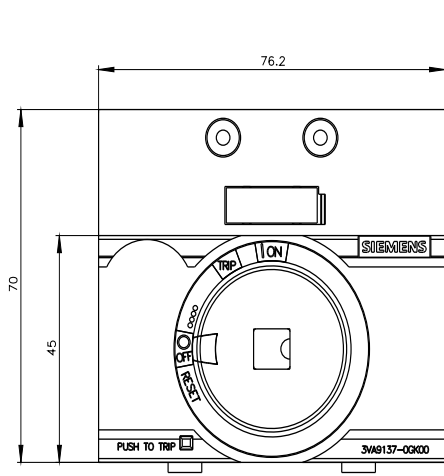
[http://www.automation.siemens.com/bilddb/cax\\_en.aspx?mlfb=3VA9137-0GK00](http://www.automation.siemens.com/bilddb/cax_en.aspx?mlfb=3VA9137-0GK00)

CAx-Online-Generator

<http://www.siemens.com/cax>

Tender specifications

<http://www.siemens.com/specifications>



last modified:

4/3/2025 

