




cylinder lock adapter accessories compartment accessory for: 3VA51

Model	
product brand name	SETRON
product designation	rear interlock
accessories	rear interlock
Mechanical Design	
net weight	53 g
Certificates	
General Product Approval	EMV



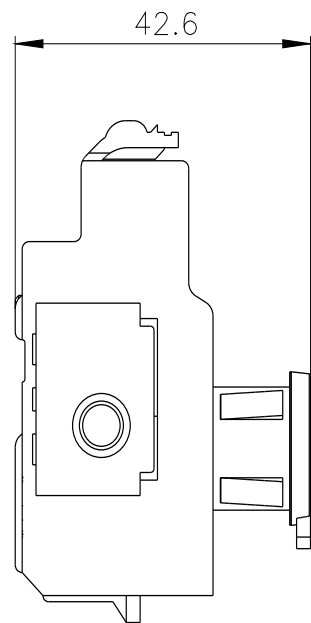
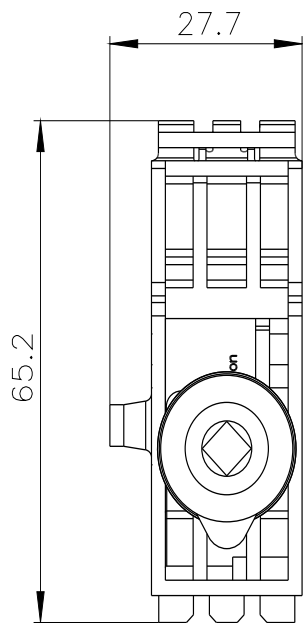
[Miscellaneous](#)



Maritime application	other	Environment			
	Confirmation	Miscellaneous	Environmental Con- firmations	Environmental Con- firmations	

Further information

- Information on the packaging
<https://support.industry.siemens.com/cs/ww/en/view/109813875>
- Information for data generation and storage
<https://support.industry.siemens.com/cs/ww/en/view/109995012>
- Information- and Downloadcenter (Catalogs, Brochures,...)
<http://www.siemens.com/lowvoltage/catalogs>
- Industry Mall (Online ordering system)
<https://mall.industry.siemens.com/mall/en/en/Catalog/product?mlfb=3VA9137-0LF10>
- Service&Support (Manuals, Certificates, Characteristics, FAQs,...)
<https://support.industry.siemens.com/cs/ww/en/ps/3VA9137-0LF10>
- Image database (product images, 2D dimension drawings, 3D models, device circuit diagrams, ...)
http://www.automation.siemens.com/bilddb/cax_en.aspx?mlfb=3VA9137-0LF10
- CAx-Online-Generator
<http://www.siemens.com/cax>
- Tender specifications
<http://www.siemens.com/specifications>



last modified:

4/3/2025 