

side wall mounted rot. operator standard IEC IP65 accessory for: 3VA13/14;
3VA23/24



Model		
product brand name	SENTRON	
product designation	side wall-mounted rotary operator	
accessories	Side panel rotary operating mechanism	
General technical data		
protection class IP	IP65	
Mechanical Design		
height	94 mm	
Certificates		
General Product Approval	EMV	Maritime application



EG-Konf.



[Miscellaneous](#)



RCM



LRS

other	Environment
-------	-------------

[Confirmation](#)

[Miscellaneous](#)



[Environmental Con-
firmations](#)

[Environmental Con-
firmations](#)

Further information

Information on the packaging

<https://support.industry.siemens.com/cs/ww/en/view/109813875>

Information for data generation and storage

<https://support.industry.siemens.com/cs/ww/en/view/109995012>

Information- and Downloadcenter (Catalogs, Brochures,...)

<http://www.siemens.com/lowvoltage/catalogs>

Industry Mall (Online ordering system)

<https://mall.industry.siemens.com/mall/en/en/Catalog/product?mlfb=3VA9467-0PK11>

Service&Support (Manuals, Certificates, Characteristics, FAQs,...)

<https://support.industry.siemens.com/cs/ww/en/ps/3VA9467-0PK11>

Image database (product images, 2D dimension drawings, 3D models, device circuit diagrams, ...)

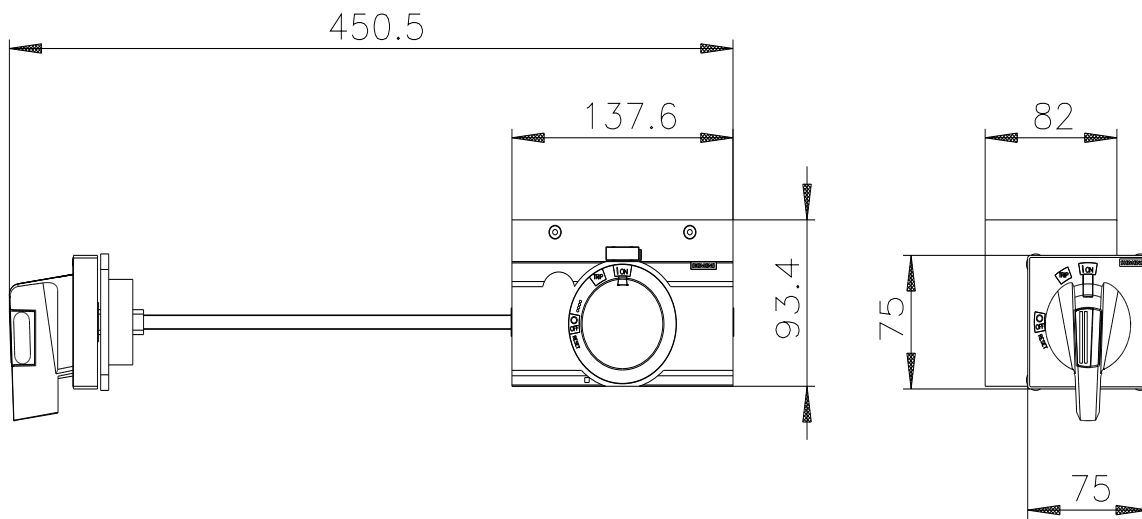
http://www.automation.siemens.com/bilddb/cax_en.aspx?mlfb=3VA9467-0PK11

CAX-Online-Generator

<http://www.siemens.com/cax>

Tender specifications

<http://www.siemens.com/specifications>



last modified:

5/26/2025 

