

# PN7021



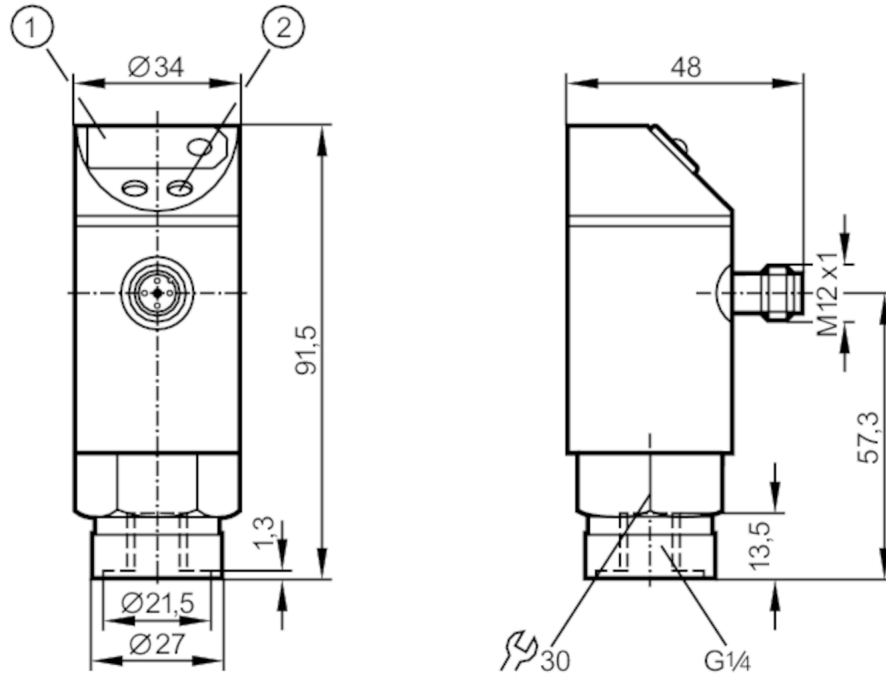
## Pressure sensor with display

PN-250-SBR14-QFPKG/US/ IV

Article no longer available - archive entry

Alternative articles: PN7001

When selecting an alternative article and accessories please note that technical data may differ!



- 1 7-segment LED display
- 2 programming button



### Product characteristics

Number of inputs and outputs	Number of digital outputs: 2
Measuring range [bar]	0...250
Process connection	threaded connection G 1/4 internal thread

### Application

Special feature	Gold-plated contacts
Application	for industrial applications
Media	liquids and gases
Conditionally suitable for	For gaseous media the application is limited to max. 25 bar.
Medium temperature [°C]	-25...80
Min. bursting pressure	850 bar 85 MPa
Pressure rating	400 bar 40 MPa
Type of pressure	relative pressure

### Electrical data

Operating voltage [V]	18...30 DC
Current consumption [mA]	< 60
Min. insulation resistance [MΩ]	100; (500 V DC)

# PN7021



## Pressure sensor with display

PN-250-SBR14-QFPKG/US/ IV

Protection class	III
Reverse polarity protection	yes
Power-on delay time [s]	0.2
Integrated watchdog	yes

### Inputs / outputs

Number of inputs and outputs	Number of digital outputs: 2
------------------------------	------------------------------

### Outputs

Total number of outputs	2
Output signal	switching signal
Electrical design	PNP
Number of digital outputs	2
Output function	normally open / normally closed; (parameterisable)
Max. voltage drop switching output DC [V]	2
Permanent current rating of switching output DC [mA]	250
Short-circuit protection	yes
Type of short-circuit protection	pulsed
Overload protection	yes

### Measuring/setting range

Measuring range [bar]	0...250
Set point SP [bar]	2...250
Reset point rP [bar]	1...248
In steps of [bar]	1

### Accuracy / deviations

Switch point accuracy [% of the final value]	< ± 1,0
Repeatability [% of the final value]	< ± 0,25; (with temperature fluctuations < 10 K)
Temperature drift per 10 K	< ± 0.3

### Response times

Switching frequency for a given set response time of one output	Response time (dAP) [ms]	3	6	10	17	30	60	125	250	500
	Switching frequency [Hz]	170	80	50	30	16	8	4	2	1
Response time [ms]	at rectangular pressure characteristic; switch point (SPx) = 70 %; reset point (rPx) = 30 %									
Delay time programmable dS, dr [s]	0, 0,2,...10, 11,...50									

### Software / programming

Adjustment of the switch point	programming button
Parameter setting options	hysteresis / window; normally open / normally closed; switch-on/switch-off delay; Damping

### Operating conditions

Ambient temperature [°C]	-25...80
--------------------------	----------

# PN7021



## Pressure sensor with display

PN-250-SBR14-QFPKG/US/ IV

Storage temperature	[°C]	-40...100
Protection		IP 67

### Tests / approvals

EMC	EN 61000-4-2 ESD	4 kV CD / 8 kV AD
	EN 61000-4-3 HF radiated	10 V/m
	EN 61000-4-4 Burst	2 kV
	EN 61000-4-6 HF conducted	10 V
Shock resistance	DIN IEC 68-2-27	50 g (11 ms)
Vibration resistance	DIN IEC 68-2-6	20 g (10...2000 Hz)

### Mechanical data

Housing		cylindrical
Dimensions	[mm]	Ø 34 / L = 91.5
Materials		EPDM/X; FKM; PA; PBT; PC; stainless steel (304/1.4301)
Materials (wetted parts)		stainless steel (303/1.4305); ceramics; FKM
Min. pressure cycles		100 million
Process connection		threaded connection G 1/4 internal thread

### Displays / operating elements

Display	switching status	2 x LED, red
	function display	7-segment LED display
	measured values	7-segment LED display

### Remarks

Pack quantity	1 pcs.
---------------	--------

### Electrical connection

Connector: 1 x M12; coding: A; Contacts: gold-plated



### Connection

