

# FLKM 14-PA-S300 - Front adapter



2299770

<https://www.phoenixcontact.com/gb/products/2299770>

Please be informed that the data shown in this PDF document is generated from our online catalog. Please find the complete data in the user documentation. Our general terms of use for downloads are valid.

VARIOFACE front adapter, for SIMATIC S 7-300, 2 x 8 channels can be connected.



## Commercial data

Item number	2299770
Packing unit	1 pc
Minimum order quantity	1 pc
Sales key	DK231S
Product key	DK231S
GTIN	4017918880453
Weight per piece (including packing)	51.2 g
Weight per piece (excluding packing)	51.2 g
Customs tariff number	85369010
Country of origin	DE

# FLKM 14-PA-S300 - Front adapter



2299770

<https://www.phoenixcontact.com/gb/products/2299770>

## Technical data

### Product properties

Product type	Front adapter
Product family	VARIOFACE

### Insulation characteristics: Air clearances and creepage distances

Insulation	Functional insulation
Overvoltage category	II
Pollution degree	2

### Electrical properties

Operating voltage (AC)	≤ 30 V AC
Operating voltage (DC)	≤ 60 V DC
Nominal operating mode	100% operating factor
Current (per branch)	≤ 1 A
Current (Voltage supply via IDC/FLK)	≤ 2 A
Current (Voltage supply via spade connection)	≤ 8 A

### Air clearances and creepage distances

Rated insulation voltage	63 V
Rated surge voltage	0.6 kV (1.2/50 μs)

### Supported controller SIEMENS S7-300 / ET 200 M

Suitable I/O card	6ES7321-1BH50-0AA0
	6ES7321-7BH01-0AB0
	6ES7321-1BH02-0AA0
	6ES7321-1BH10-0AA0
	6ES7322-1BH01-0AA0
	6ES7322-1BH10-0AA0
	6ES7322-8BF00-0AB0
	6ES7323-1BH01-0AA0
	6ES7331-7HF01-0AB0
	6ES7331-7KF02-0AB0
	6ES7331-7KB02-0AB0
	6ES7331-7TF01-0AB0
	6ES7332-5HD01-0AB0
	6ES7332-5HB01-0AB0
	6ES7332-7ND02-0AB0
	6ES7332-8TF01-0AB0
	6ES7334-0CE01-0AA0
	6ES7334-0KE00-0AB0
	6ES7335-7HG01-0AB0
	6ES7338-4BC01-0AB0
6ES7350-1AH03-0AE0	

# FLKM 14-PA-S300 - Front adapter



2299770

<https://www.phoenixcontact.com/gb/products/2299770>

	6ES7351-1AH01-0AE0
	6ES7352-1AH02-0AE0
	6ES7353-1AH01-0AE0
	6ES7354-1AH01-0AE0
	6ES7355-0VH10-0AE0
	6ES7355-1VH10-0AE0

## Connection data

### Connection 1 (control level)

Connection method	Plug-in connection
Number of positions	20

### Connection 2 (field level)

Connection in acc. with standard	IEC 60603-13
Connection method	IDC/FLK pin strip
Number of connections	2
Number of positions	14
Insertion/withdrawal cycles	> 50
Pitch	2.54 mm

### Connection 3 (supply)

Connection method	Spade connection
Number of positions	4
Note	2,8 x 0,8

## Dimensions

### Item dimensions

Width	22.5 mm
Height	117 mm
Depth	19.39 mm

## Environmental and real-life conditions

### Ambient conditions

Degree of protection (Module)	IP00
Degree of protection (Installation location)	≥ IP54
Ambient temperature (operation)	-20 °C ... 50 °C
Ambient temperature (storage/transport)	-20 °C ... 50 °C
Altitude	≤ 2000 m

## Standards and regulations

### Air clearances and creepage distances

Standards/regulations	EN IEC 60664-1
-----------------------	----------------

## Mounting

# FLKM 14-PA-S300 - Front adapter



2299770

<https://www.phoenixcontact.com/gb/products/2299770>

Mounting type	Plug-in mounting
Mounting position	any

## Notes

Notes on operation	For proper use, the specifications of the installation directive (see Downloads) must be observed. For applications or use with third-party products, the specifications, and the safety and warning instructions of the respective third-party manufacturer must also be met.
Notes on operation	<p>To prevent short circuits, all wire bridges on the following I/O cards are to be separated.</p> <p>There may not be any voltage supply at the front adapter.</p> <p>6ES7 321-1BH50-0AA0 6ES7 321-7BH01-0AB0 6ES7 322-8BF00-0AB0 6ES7 331-7KF02-0AB0 6ES7 331-7HF01-0AB0 6ES7 331-7KB02-0AB0 6ES7 331-7TF01-0AB0 6ES7 332-5HD01-0AB0 6ES7 332-5HB01-0AB0 6ES7 332-7ND02-0AB0 6ES7 334-0CE01-0AA0 6ES7 334-0KE00-0AB0 6ES7 335-7HG01-0AB0 6ES7 338-4BC01-0AB0 6ES7 350-1AH03-0AE0 6ES7 351-1AH01-0AE0 6ES7 352-1AH02-0AE0 6ES7 353-1AH01-0AE0 6ES7 354-1AH01-0AE0 6ES7 355-0VH10-0AE0 6ES7 355-1VH10-0AE0</p>

# FLKM 14-PA-S300 - Front adapter

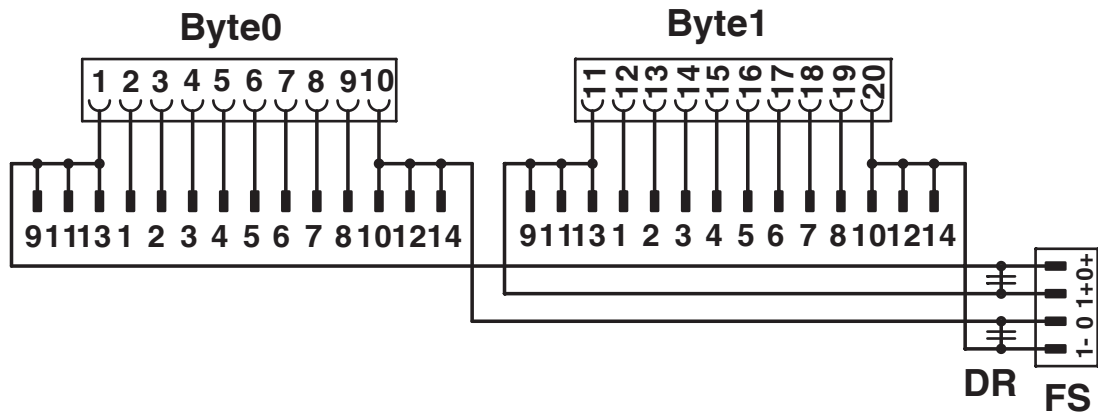


2299770

<https://www.phoenixcontact.com/gb/products/2299770>

## Drawings

Circuit diagram



Connection scheme FLKM 14-PA-S300

# FLKM 14-PA-S300 - Front adapter





2299770

<https://www.phoenixcontact.com/gb/products/2299770>

## Approvals

To download certificates, visit the product detail page: <https://www.phoenixcontact.com/gb/products/2299770>

 <b>cUL Recognized</b> Approval ID: E238705				
	Nominal voltage $U_N$	Nominal current $I_N$	Cross section AWG	Cross section $\text{mm}^2$
keine				
	125 V	1 A	-	-

 <b>UL Recognized</b> Approval ID: E238705				
	Nominal voltage $U_N$	Nominal current $I_N$	Cross section AWG	Cross section $\text{mm}^2$
keine				
	125 V	1 A	-	-

# FLKM 14-PA-S300 - Front adapter



2299770

<https://www.phoenixcontact.com/gb/products/2299770>

## Classifications

### ECLASS

ECLASS-13.0	27242292
ECLASS-15.0	27242292

### ETIM

ETIM 9.0	EC002584
----------	----------

### UNSPSC

UNSPSC 21.0	32151600
-------------	----------

# FLKM 14-PA-S300 - Front adapter



2299770

<https://www.phoenixcontact.com/gb/products/2299770>

## Environmental product compliance

### EU RoHS

Fulfills EU RoHS substance requirements	Yes, No exemptions
---	--------------------

### China RoHS

Environment friendly use period (EFUP)	EFUP-E
	No hazardous substances above the limits

### EU REACH SVHC

REACH candidate substance (CAS No.)	No substance above 0.1 wt%
-------------------------------------	----------------------------

Phoenix Contact 2025 © - all rights reserved  
<https://www.phoenixcontact.com>

PHOENIX CONTACT Ltd  
Halesfield 13, Telford  
Shropshire, TF7 4PG  
01952 681700  
[info@phoenixcontact.co.uk](mailto:info@phoenixcontact.co.uk)