

PTMED 6-PE - Protective conductor terminal block



3212196

<https://www.phoenixcontact.com/gb/products/3212196>

Please be informed that the data shown in this PDF document is generated from our online catalog. Please find the complete data in the user documentation. Our general terms of use for downloads are valid.



Protective conductor terminal block, connection method: Push-in connection, 1 level, cross section: 0.5 mm² - 10 mm², color: green-yellow

Your advantages

- Feed-through terminal blocks of the same shape are available
- Clear
- Clear selection thanks to printed switching symbols
- Easy operation
- Compact design
- Six function shafts
- Flexible and comprehensive accessories
- Reliably snapped into the end positions

Commercial data

Item number	3212196
Packing unit	50 pc
Minimum order quantity	50 pc
Sales key	BE2233
Product key	BE2233
GTIN	4046356514958
Weight per piece (including packing)	29.04 g
Weight per piece (excluding packing)	29.714 g
Customs tariff number	85369010
Country of origin	PL

Technical data

Product properties

Product type	Ground terminal block
Product family	PTME
Number of connections	2
Number of rows	1

Insulation characteristics

Overvoltage category	III
Degree of pollution	3

Electrical properties

Rated surge voltage	6 kV
Maximum power dissipation for nominal condition	1.31 W

Connection data

Number of connections per level	2
Nominal cross section	6 mm ²

1 level

Connection method	Push-in connection
Note	Please observe the current carrying capacity of the DIN rails.
Stripping length	12 mm
Internal cylindrical gage	A5
Connection in acc. with standard	IEC 60947-7-2
Conductor cross-section rigid	0.5 mm ² ... 10 mm ²
Cross section AWG	20 ... 8 (converted acc. to IEC)
Conductor cross-section flexible	0.5 mm ² ... 6 mm ²
Conductor cross-section, flexible [AWG]	20 ... 10 (converted acc. to IEC)
Conductor cross-section flexible (ferrule without plastic sleeve)	0.5 mm ² ... 6 mm ²
Flexible conductor cross-section (ferrule with plastic sleeve)	0.5 mm ² ... 6 mm ²
Conductor cross-section flexible (2 conductors with the same cross-section, with TWIN ferrule and plastic sleeve)	0.5 mm ² ... 1.5 mm ²

1 level Connection cross sections directly pluggable

Conductor cross-section rigid	1 mm ² ... 10 mm ²
Conductor cross-section flexible (ferrule without plastic sleeve)	1 mm ² ... 6 mm ²
Flexible conductor cross-section (ferrule with plastic sleeve)	1 mm ² ... 6 mm ²

Dimensions

Width	8.2 mm
End cover width	2.2 mm
Height	100.8 mm
Depth on NS 35/7,5	49.6 mm

Depth on NS 35/15	57.1 mm
-------------------	---------

Material specifications

Color	green-yellow
Flammability rating according to UL 94	V0
Insulating material group	I
Insulating material	PA
Static insulating material application in cold	-60 °C
Temperature index of insulation material (DIN EN 60216-1 (VDE 0304-21))	130 °C
Relative insulation material temperature index (Elec., UL 746 B)	130 °C
Fire protection for rail vehicles (DIN EN 45545-2) R22	HL 1 - HL 3
Fire protection for rail vehicles (DIN EN 45545-2) R23	HL 1 - HL 3
Fire protection for rail vehicles (DIN EN 45545-2) R24	HL 1 - HL 3
Fire protection for rail vehicles (DIN EN 45545-2) R26	HL 1 - HL 3
Calorimetric heat release NFPA 130 (ASTM E 1354)	28 MJ/kg
Surface flammability NFPA 130 (ASTM E 162)	passed
Specific optical density of smoke NFPA 130 (ASTM E 662)	passed
Smoke gas toxicity NFPA 130 (SMP 800C)	passed

Mechanical properties

Mechanical data

Open side panel	Yes
-----------------	-----

Environmental and real-life conditions

Oscillation/broadband noise

Specification	DIN EN 50155 (VDE 0115-200):2008-03
Spectrum	Long life test category 2, bogie-mounted
Frequency	$f_1 = 5 \text{ Hz}$ to $f_2 = 250 \text{ Hz}$
ASD level	6.12 (m/s ²) ² /Hz
Acceleration	3.12g
Test duration per axis	5 h
Test directions	X-, Y- and Z-axis
Result	Test passed

Shocks

Specification	DIN EN 50155 (VDE 0115-200):2008-03
Pulse shape	Half-sine
Acceleration	30g
Shock duration	18 ms
Number of shocks per direction	3
Test directions	X-, Y- and Z-axis (pos. and neg.)
Result	Test passed

PTMED 6-PE - Protective conductor terminal block



3212196

<https://www.phoenixcontact.com/gb/products/3212196>

Ambient conditions

Ambient temperature (operation)	-60 °C ... 110 °C (Operating temperature range incl. self-heating; for max. short-term operating temperature, see RTI Elec.)
Ambient temperature (storage/transport)	-25 °C ... 60 °C (for a short time, not exceeding 24 h, -60 °C to +70 °C)
Ambient temperature (assembly)	-5 °C ... 70 °C
Ambient temperature (actuation)	-5 °C ... 70 °C
Permissible humidity (operation)	20 % ... 90 %
Permissible humidity (storage/transport)	30 % ... 70 %

Standards and regulations

Connection in acc. with standard	IEC 60947-7-2
----------------------------------	---------------

Mounting

Mounting type	NS 35/7,5
	NS 35/15

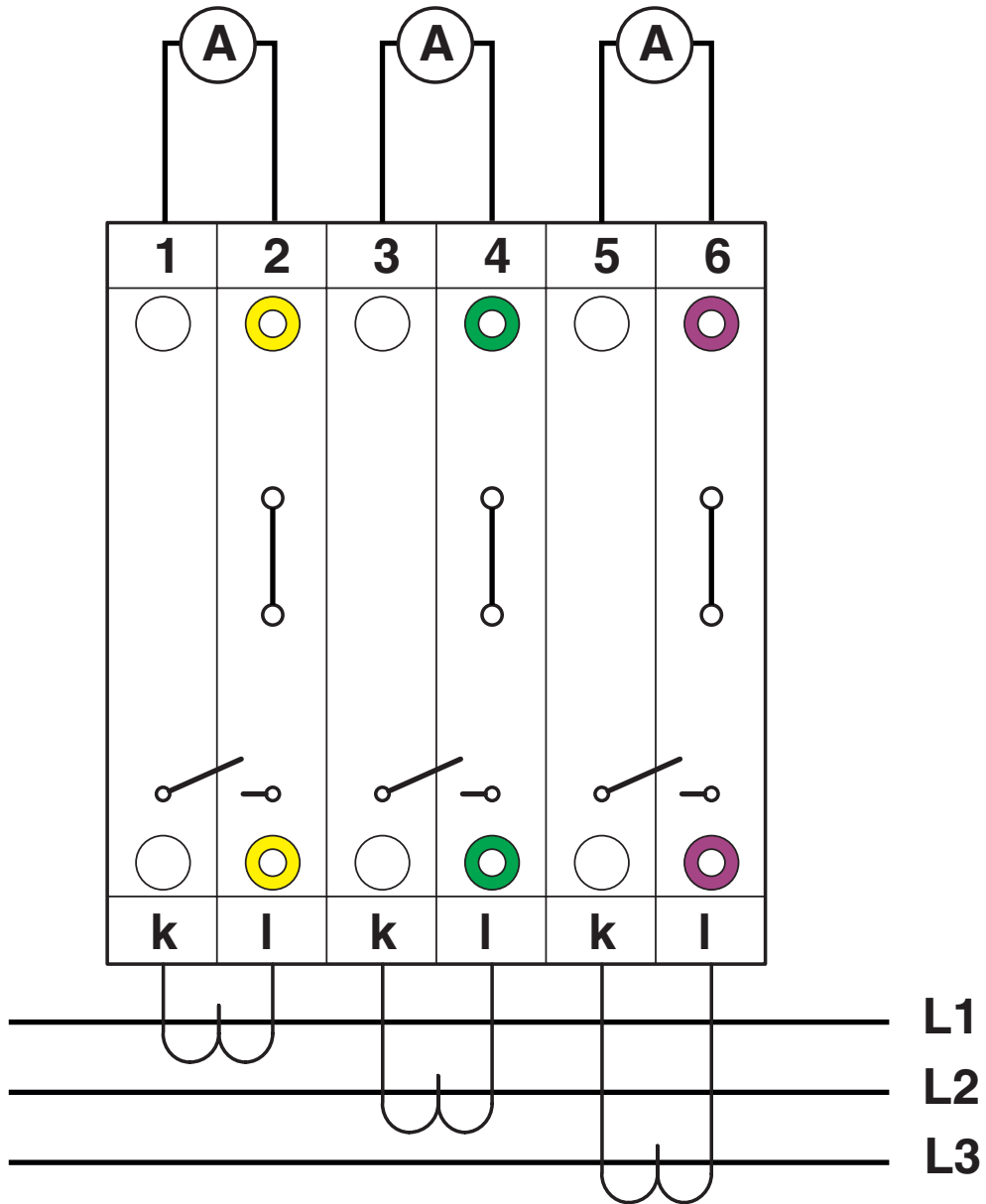
PTMED 6-PE - Protective conductor terminal block

3212196

<https://www.phoenixcontact.com/gb/products/3212196>

Drawings

Connection diagram



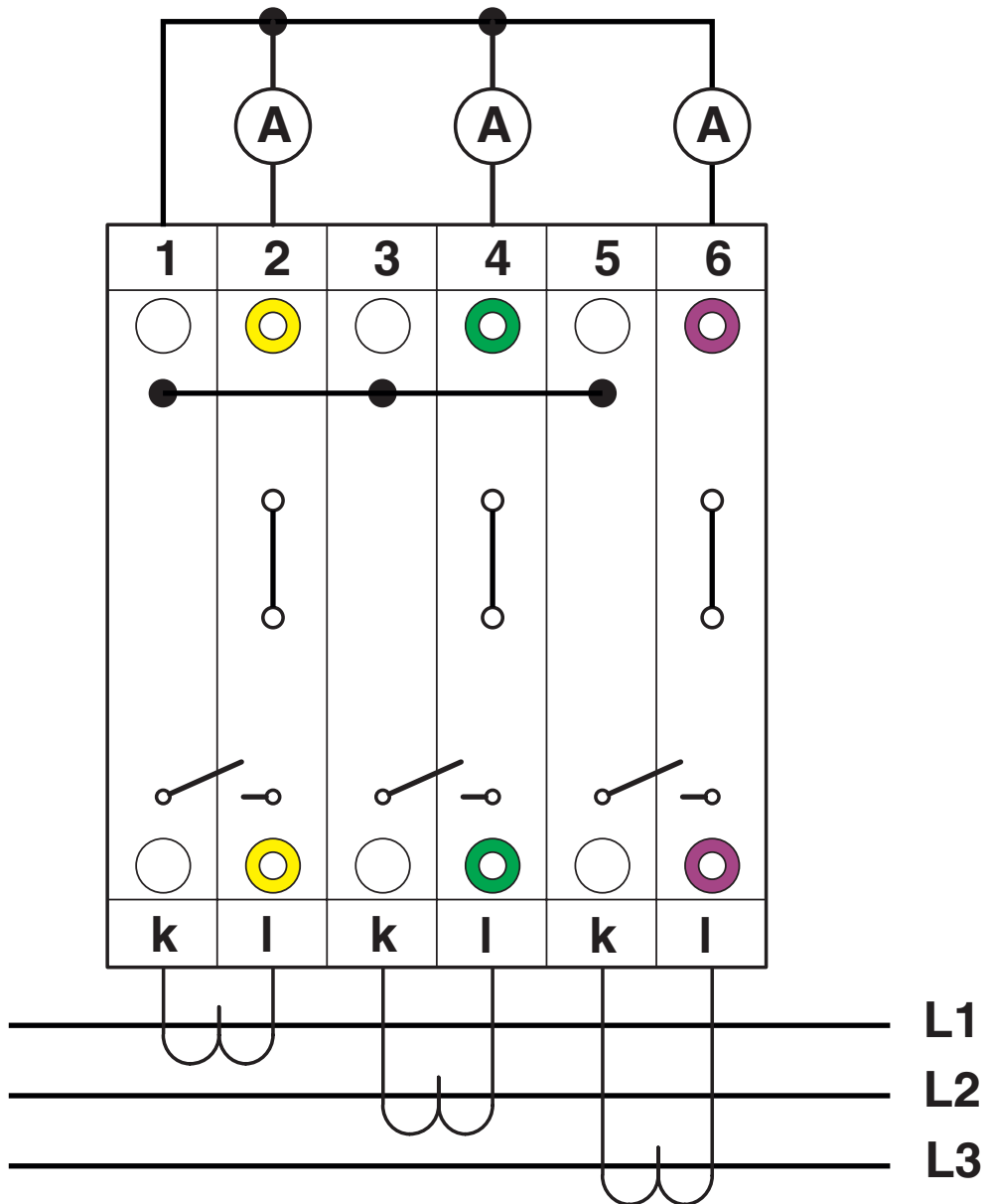
PTMED 6-PE - Protective conductor terminal block

3212196

<https://www.phoenixcontact.com/gb/products/3212196>



Connection diagram

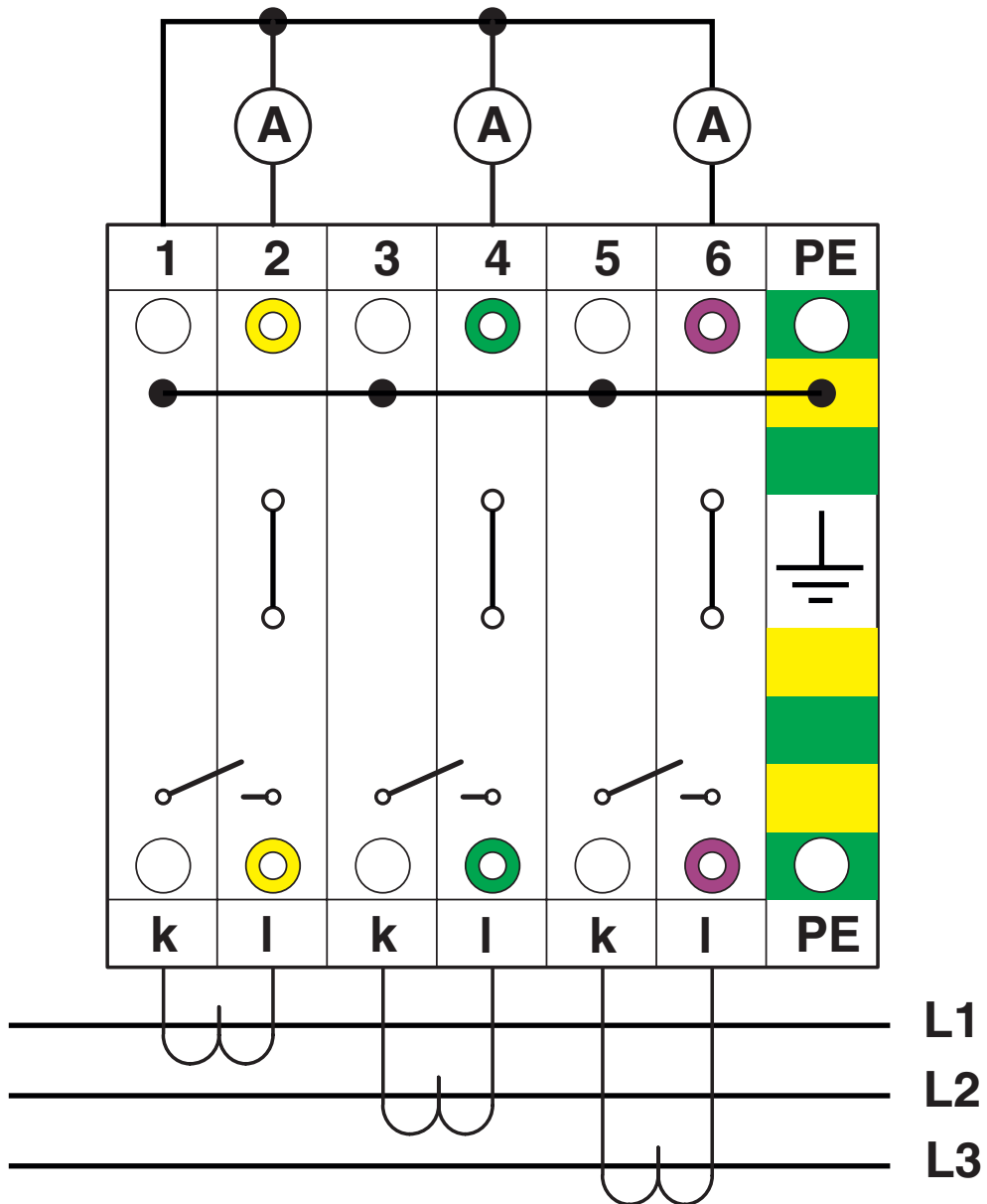


PTMED 6-PE - Protective conductor terminal block

3212196

<https://www.phoenixcontact.com/gb/products/3212196>

Connection diagram



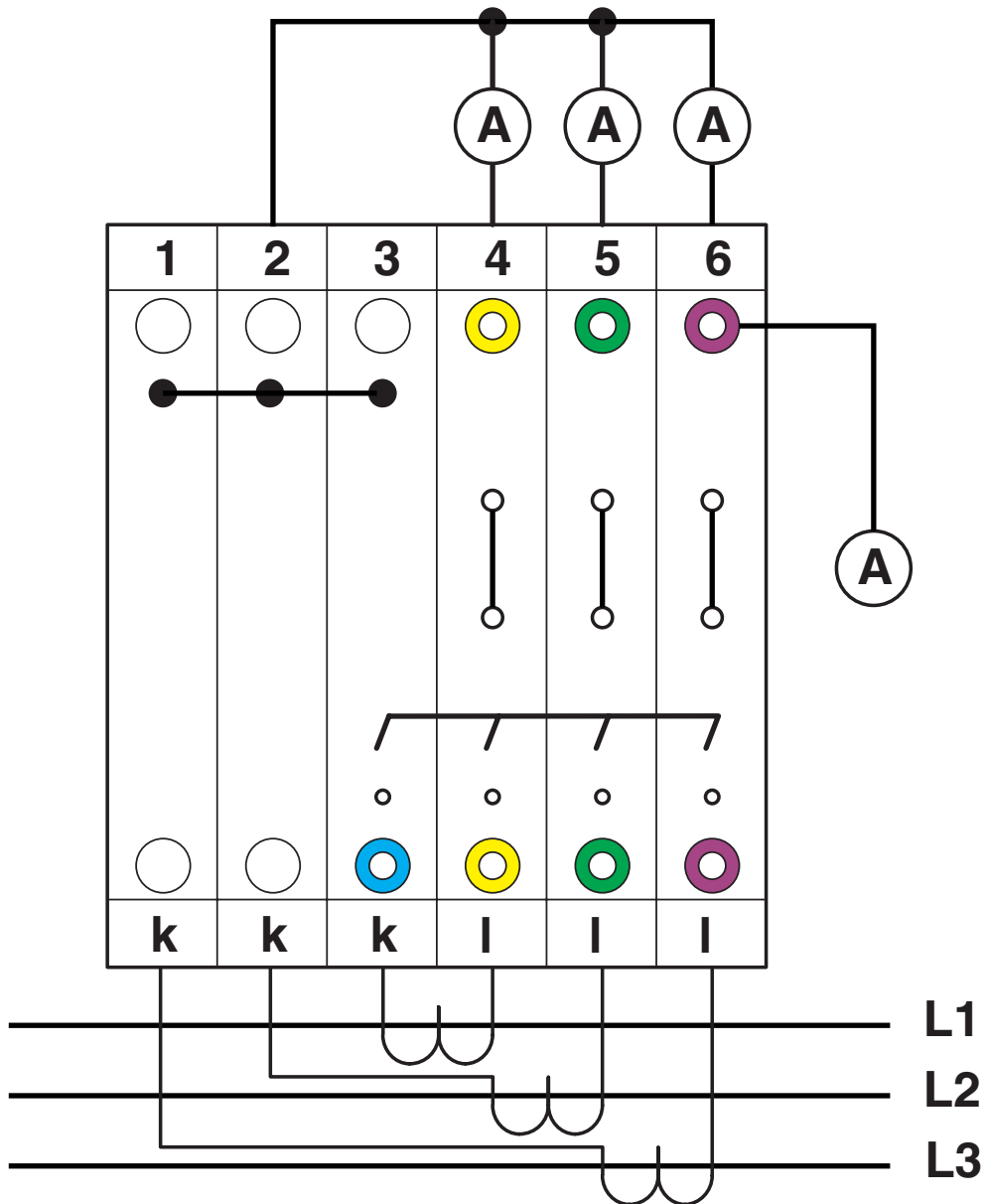
with PE terminals having the same contours

PTMED 6-PE - Protective conductor terminal block

3212196

<https://www.phoenixcontact.com/gb/products/3212196>

Connection diagram



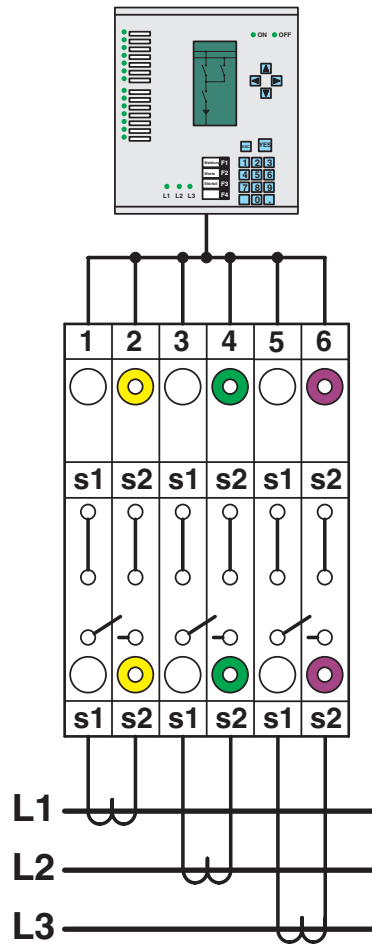
phase to phase

PTMED 6-PE - Protective conductor terminal block

3212196

<https://www.phoenixcontact.com/gb/products/3212196>

Schematic diagram



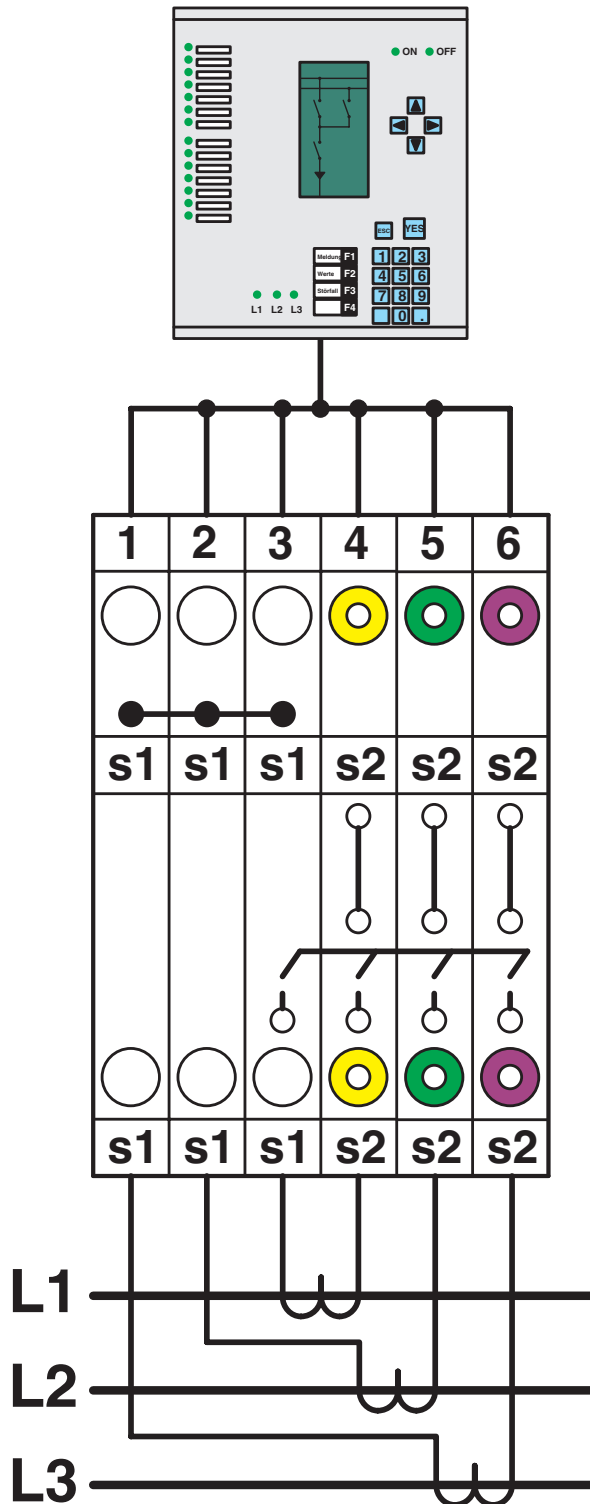
Simple three-phase current transformer set

PTMED 6-PE - Protective conductor terminal block

3212196

<https://www.phoenixcontact.com/gb/products/3212196>

Schematic diagram



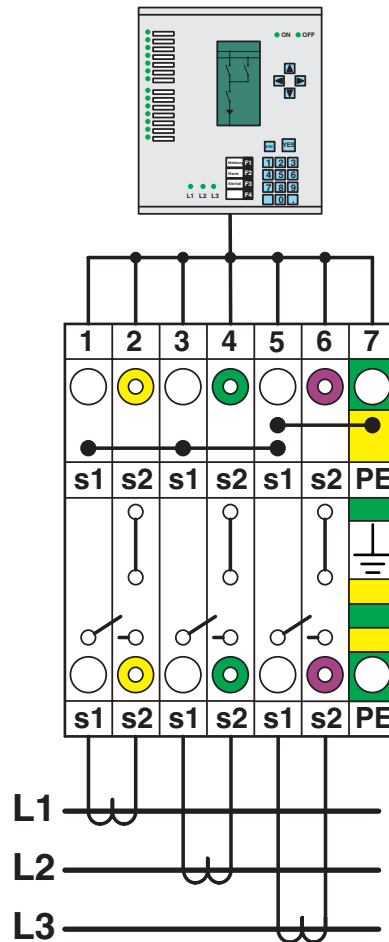
Interlinked three-phase current transformer set

PTMED 6-PE - Protective conductor terminal block

3212196

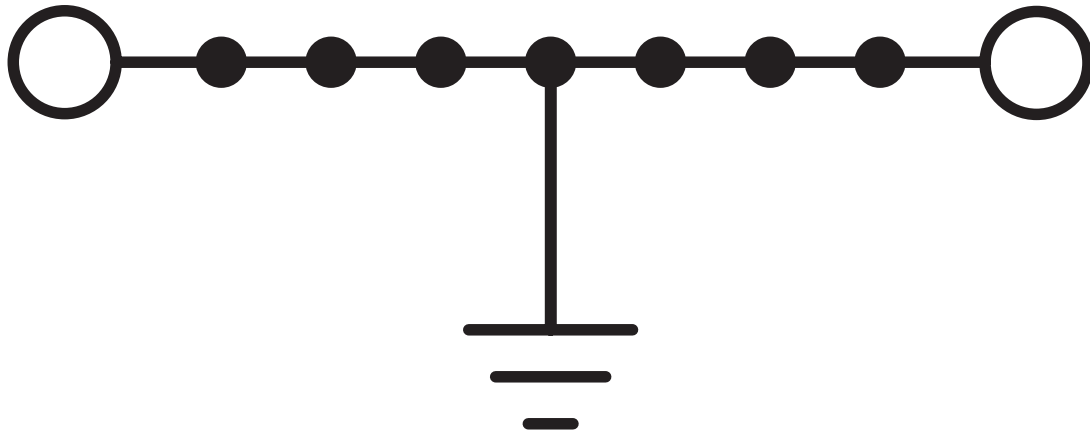
<https://www.phoenixcontact.com/gb/products/3212196>

Schematic diagram

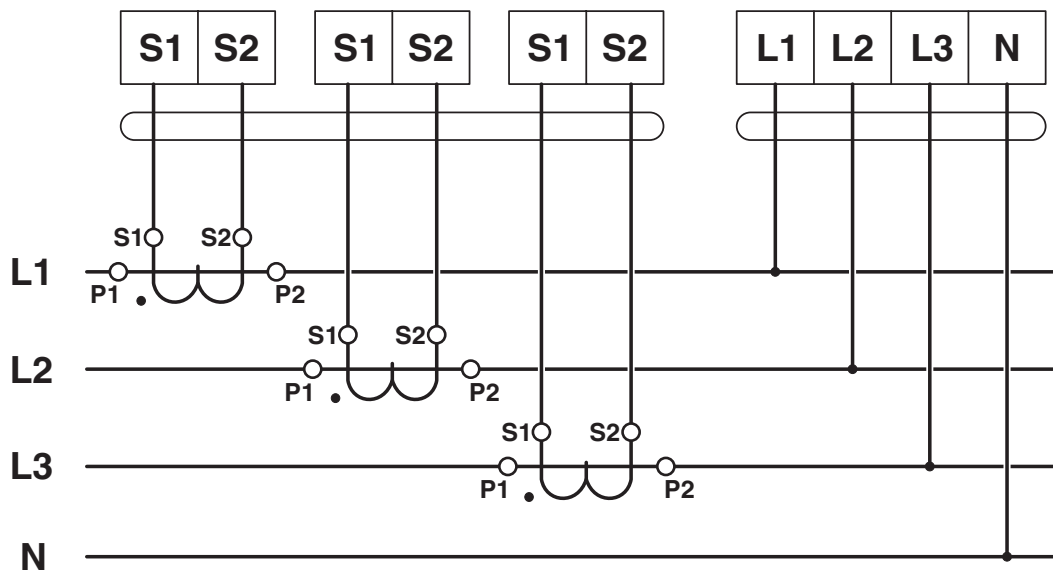


Interlinked three-phase current transformer set with grounded star point

Circuit diagram



Circuit diagram



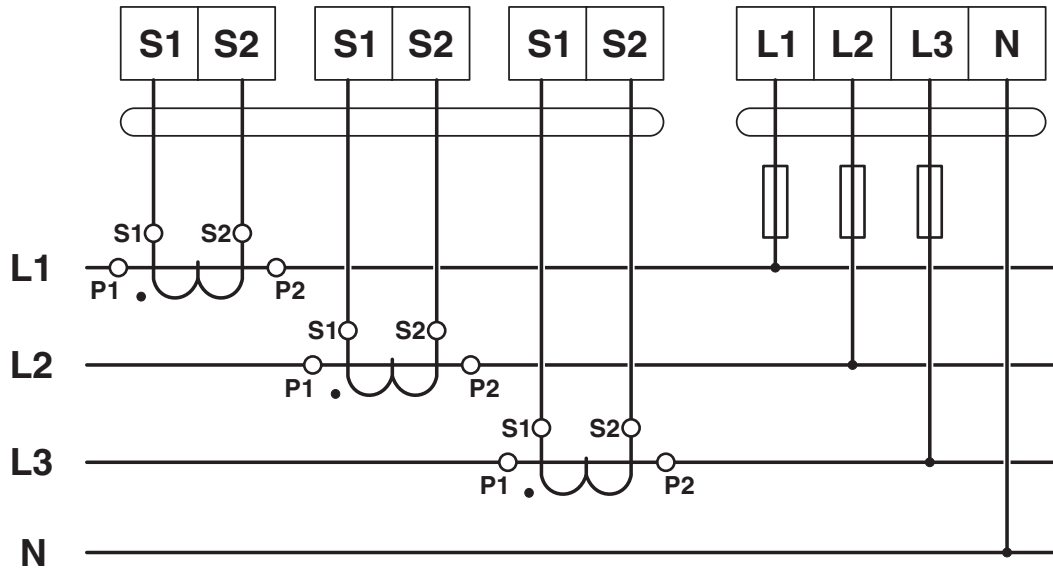
PTMED 6-PE - Protective conductor terminal block



3212196

<https://www.phoenixcontact.com/gb/products/3212196>

Circuit diagram

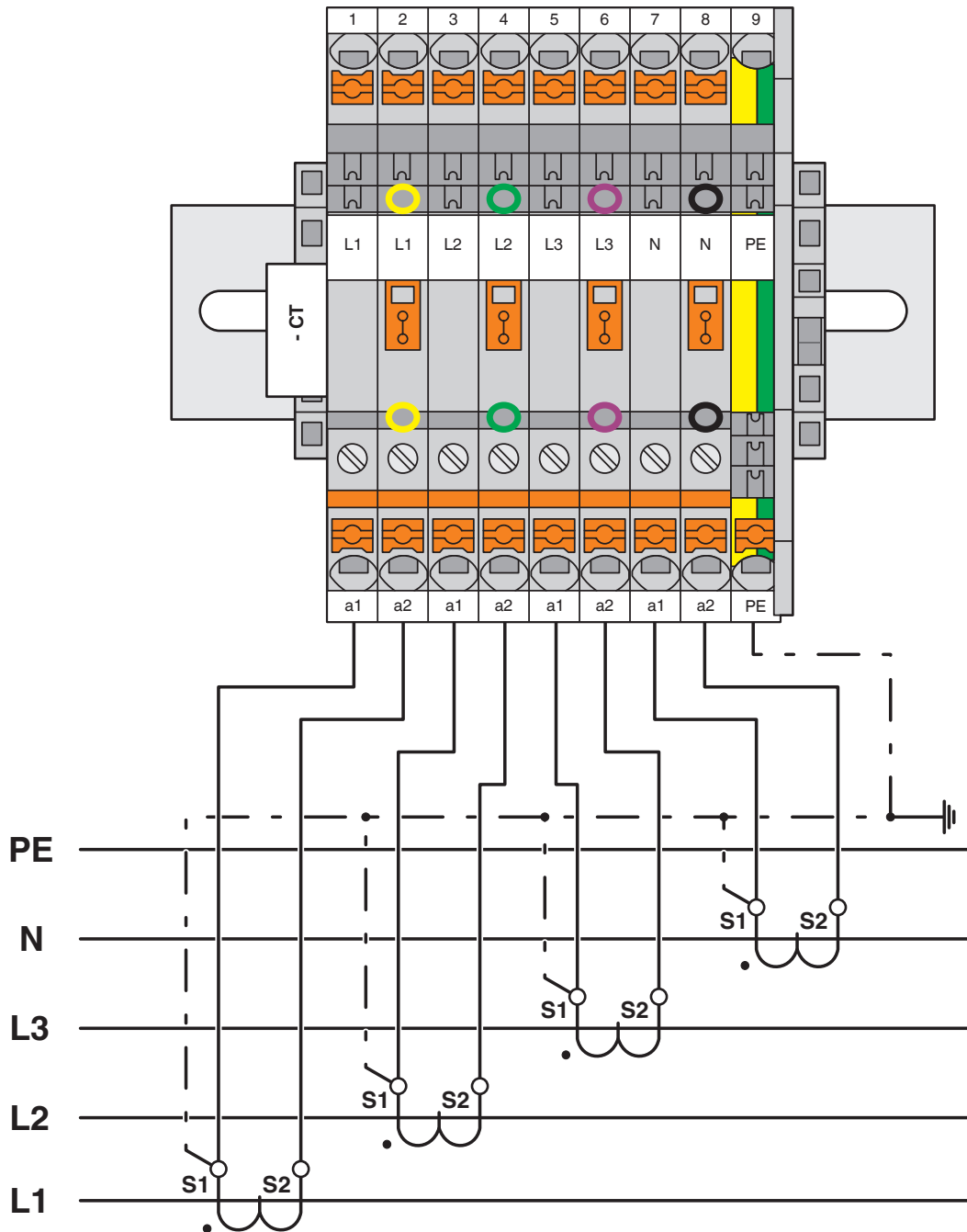


PTMED 6-PE - Protective conductor terminal block

3212196

<https://www.phoenixcontact.com/gb/products/3212196>

Circuit diagram

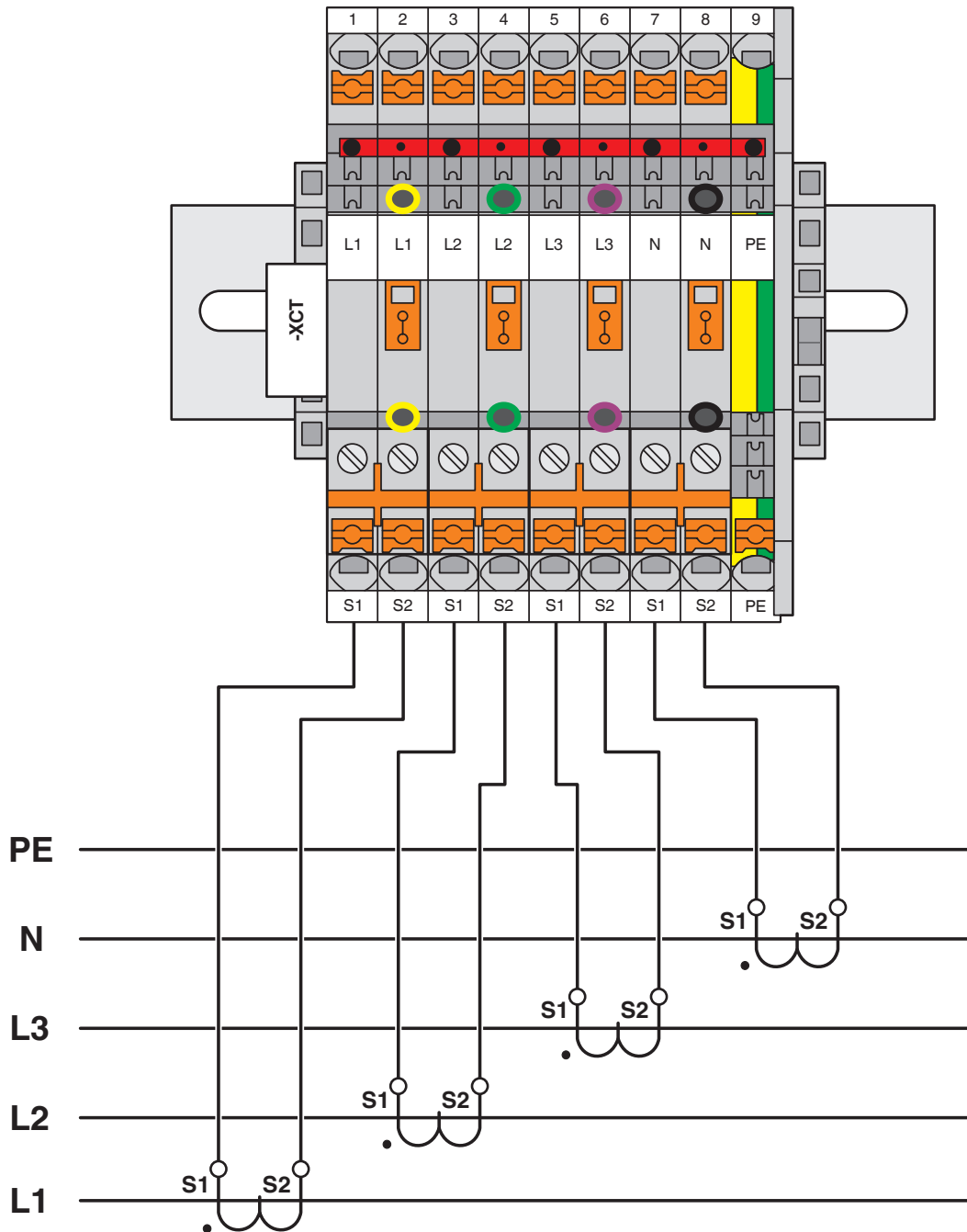


PTMED 6-PE - Protective conductor terminal block

3212196

<https://www.phoenixcontact.com/gb/products/3212196>

Circuit diagram



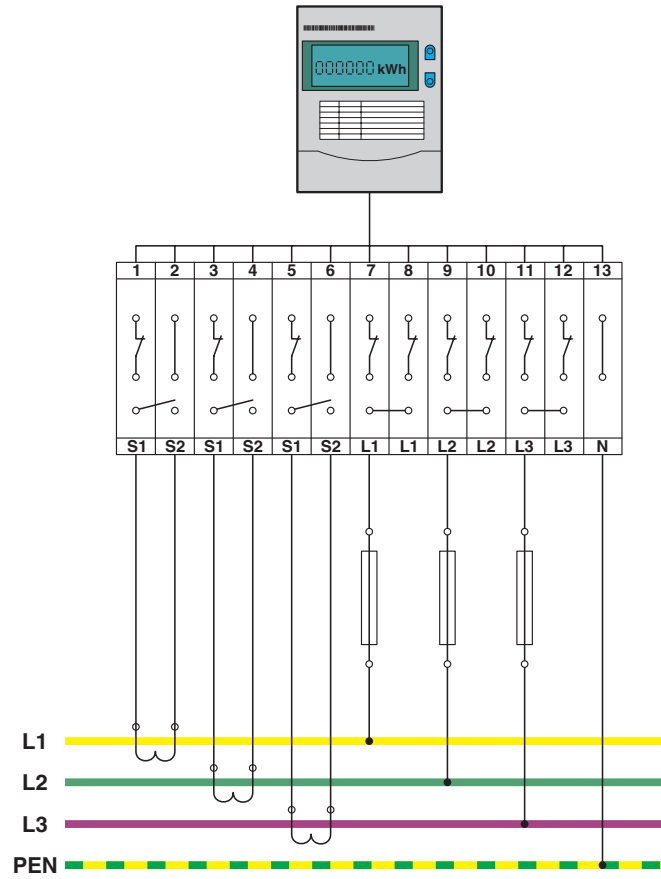
PTMED 6-PE - Protective conductor terminal block



3212196

<https://www.phoenixcontact.com/gb/products/3212196>

Circuit diagram



PTMED 6-PE - Protective conductor terminal block





3212196


<https://www.phoenixcontact.com/gb/products/3212196>


Approvals

To download certificates, visit the product detail page: <https://www.phoenixcontact.com/gb/products/3212196>

 CSA Approval ID: 2030668				
	Nominal voltage U_N	Nominal current I_N	Cross section AWG	Cross section mm^2
B	-	-	20 - 8	-
C	-	-	20 - 8	-

 EAC Approval ID: RU C-DE.BL08.B.00644				
---	--	--	--	--

 cULus Recognized Approval ID: E60425				
	Nominal voltage U_N	Nominal current I_N	Cross section AWG	Cross section mm^2
B	-	-	24 - 8	-
C	-	-	24 - 8	-
F	-	-	24 - 8	-

 EAC Approval ID: KZ7500651131219505				
---	--	--	--	--

PTMED 6-PE - Protective conductor terminal block



3212196

<https://www.phoenixcontact.com/gb/products/3212196>

Classifications

ECLASS

ECLASS-13.0	27250109
ECLASS-15.0	27250109

ETIM

ETIM 9.0	EC000902
----------	----------

UNSPSC

UNSPSC 21.0	39121400
-------------	----------

PTMED 6-PE - Protective conductor terminal block



3212196

<https://www.phoenixcontact.com/gb/products/3212196>

Environmental product compliance

EU RoHS

Fulfills EU RoHS substance requirements	Yes, No exemptions
---	--------------------

China RoHS

Environment friendly use period (EFUP)	EFUP-E
	No hazardous substances above the limits

EU REACH SVHC

REACH candidate substance (CAS No.)	No substance above 0.1 wt%
-------------------------------------	----------------------------

EF3.0 Climate Change

CO2e kg	0.175 kg CO2e
---------	---------------

Phoenix Contact 2025 © - all rights reserved
<https://www.phoenixcontact.com>

PHOENIX CONTACT Ltd
Halesfield 13, Telford
Shropshire, TF7 4PG
01952 681700
info@phoenixcontact.co.uk