

EEM-MA771-R - Measuring device



2908285

<https://www.phoenixcontact.com/gb/products/2908285>

Please be informed that the data shown in this PDF document is generated from our online catalog. Please find the complete data in the user documentation. Our general terms of use for downloads are valid.



Multi-functional energy measuring device with direct Rogowski connection and integrated Modbus RTU/TCP interface for measuring electrical parameters in low-voltage installations up to 690 V. ([phoenixcontact.com/empro-help](https://www.phoenixcontact.com/empro-help))

Commercial data

Item number	2908285
Packing unit	1 pc
Minimum order quantity	1 pc
Sales key	CMMC21
Product key	CMMC21
GTIN	4055626471952
Weight per piece (including packing)	420 g
Weight per piece (excluding packing)	525 g
Country of origin	DE

Technical data

Product properties

Product type	Energy measuring device
Product family	EMpro
Number	1

Display

Display type	LCD display, backlit, 2-color, multi-line
--------------	---

Electrical properties

Maximum power dissipation for nominal condition	10 VA
Mains type	3-phase (3 or 4-conductor), 2-phase (2-conductor), and single-phase (1-conductor)

Electrical isolation

Test voltage	4 kV AC (50 Hz, 60 s)
Pollution degree	2
Insulation	Reinforced insulation

Electrical isolation Housing against all potentials IEC 61010-1

Standards/regulations	IEC 61010-1
Overvoltage category	III (300 V AC)
	II (600 V AC)
Insulation	Reinforced insulation

Electrical isolation Supply against all other potentials IEC 61010-1

Standards/regulations	IEC 61010-1
Overvoltage category	III (300 V AC)
	II (600 V AC)
Insulation	Reinforced insulation

Electrical isolation Voltage measurement input against all other potentials IEC 61010-2-030

Standards/regulations	IEC 61010-2-030
Measuring category	III (300 V AC)
	II (600 V AC)
Insulation	Reinforced insulation

Electrical isolation Digital I/Os

Insulation	Functional insulation
------------	-----------------------

Electrical isolation Communication interface

Insulation	Functional insulation
------------	-----------------------

Supply

Supply voltage range	100 V AC ... 400 V AC ($\pm 20\%$)
	150 V DC ... 250 V DC ($\pm 20\%$)

Power consumption	≤ 4 W
Nominal frequency	50 Hz ... 60 Hz (AC sine)

Input data

General

Measuring principle	True r.m.s. value measurement
Measured value	AC sine (50 Hz/60 Hz)
Acquisition of harmonics	up to 63rd harmonic
Description of the input	Digital input in accordance with IEC/EN 61131-2 (type 3)
Number	1
Voltage input signal	24 V DC 0 V DC ... 30 V DC
Current input signal	2 mA ... 15 mA
Protection	250 mA (fast-blow)
Protective circuit	Protection against incorrect DC connection (max. 30 V)

Measurement: Voltage

Input name	Voltage measuring input V1, V2, V3
Input voltage range direct	35 V AC ... 690 V AC (Phase/Phase) 20 V AC ... 400 V AC (Phase/neutral conductor)
Input voltage range via external transformers	60 V AC ... 2000000 V AC (primary) 60 V AC ... 400 V AC (secondary)
Surge voltage capacity	760 V AC (Phase/Phase)
Precision	0.2 %
Power consumption	< 0.5 VA

Measurement: Current

Input name	Current measurement RC1, RC2, RC3
Input current	≤ 400 A (Measurement level 1) ≤ 4000 A (Measurement level 2) Transmission factor: 100 mV/1000 A when using a Phoenix Contact coil
Input measuring range voltage	500 μV ... 400 mV
Response threshold from measuring range nominal value	5 A
Operate threshold	500 μV (5 A)
Precision	0.5 %
Secondary current	≤ 500 mV (I_{max})

Measurement: Power

Precision	1 %
Real energy (IEC 62053-21)	Class 1
Reactive power (IEC 62053-23)	Class 2

Output data

Output description	Digital output in accordance with IEC/EN 61131-2 (type 3)
--------------------	---

EEM-MA771-R - Measuring device



2908285

<https://www.phoenixcontact.com/gb/products/2908285>

Number	1
Current output signal	≤ 100 mA
Voltage output signal	24 V DC
Protection	250 mA (fast-blow)
Protective circuit	Protection against incorrect DC connection (max. 30 V)

Connection data

Current / voltage / supply

Connection method	Screw connection
Stripping length	8 mm
Screw thread	M3
Conductor cross-section rigid	0.2 mm ² ... 6 mm ²
Conductor cross-section flexible	0.2 mm ² ... 4 mm ²
Conductor cross-section AWG	24 ... 10
Tightening torque	0.5 Nm ... 0.6 Nm

Digital I/O / communication

Connection method	Screw connection
Stripping length	7 mm
Screw thread	M3
Conductor cross-section rigid	0.14 mm ² ... 2.5 mm ²
Conductor cross-section flexible	0.14 mm ² ... 1.5 mm ²
Conductor cross-section AWG	26 ... 14
Tightening torque	0.5 Nm ... 0.6 Nm

RS-485

Connection method	Screw connection
Stripping length	7 mm
Screw thread	M3
Conductor cross-section rigid	0.2 mm ² ... 2.5 mm ²
Conductor cross-section flexible	0.2 mm ² ... 2.5 mm ²
Conductor cross-section AWG	24 ... 12
Tightening torque	0.5 Nm ... 0.6 Nm

Interfaces

Data: Network interface

Communication protocol	Modbus/TCP
	REST
Connection method	RJ45

Data: Network interface

Communication protocol	Modbus/RTU
Communication standard	RS-485
Connection method	Screw connection

EEM-MA771-R - Measuring device



2908285

<https://www.phoenixcontact.com/gb/products/2908285>

Transmission speed range	2.4 kbps ... 115.2 kbps
Resistance	120 Ω (integrated)

Dimensions

Item dimensions

Width	96 mm
Height	96 mm
Depth	95 mm
	80 mm (Installation depth)

Material specifications

Color	gray (RAL 7042)
-------	-----------------

Environmental and real-life conditions

Ambient conditions

Degree of protection (Housing)	IP20 (Housing)
Degree of protection (Display)	IP54 (Display with seal (included))
Ambient temperature (operation)	-25 °C ... 70 °C
Ambient temperature (storage/transport)	-30 °C ... 80 °C
Altitude	≤ 2000 m
Max. permissible relative humidity (operation)	≤ 95 % (non-condensing)

Approvals

CE

Certificate	CE-compliant
-------------	--------------

UKCA

Certificate	UKCA-compliant
-------------	----------------

UL, USA/Canada

Identification	UL/C-UL Listed UL 61010-1
----------------	---------------------------

UL data

Operating mode	Indoor use
----------------	------------

Standards and regulations

Standards/regulations	IEC 61010-1
	IEC 61326-1
	IEC 61557-12

Mounting

Mounting type	Panel mount
Mounting position	Front panel installation, horizontal

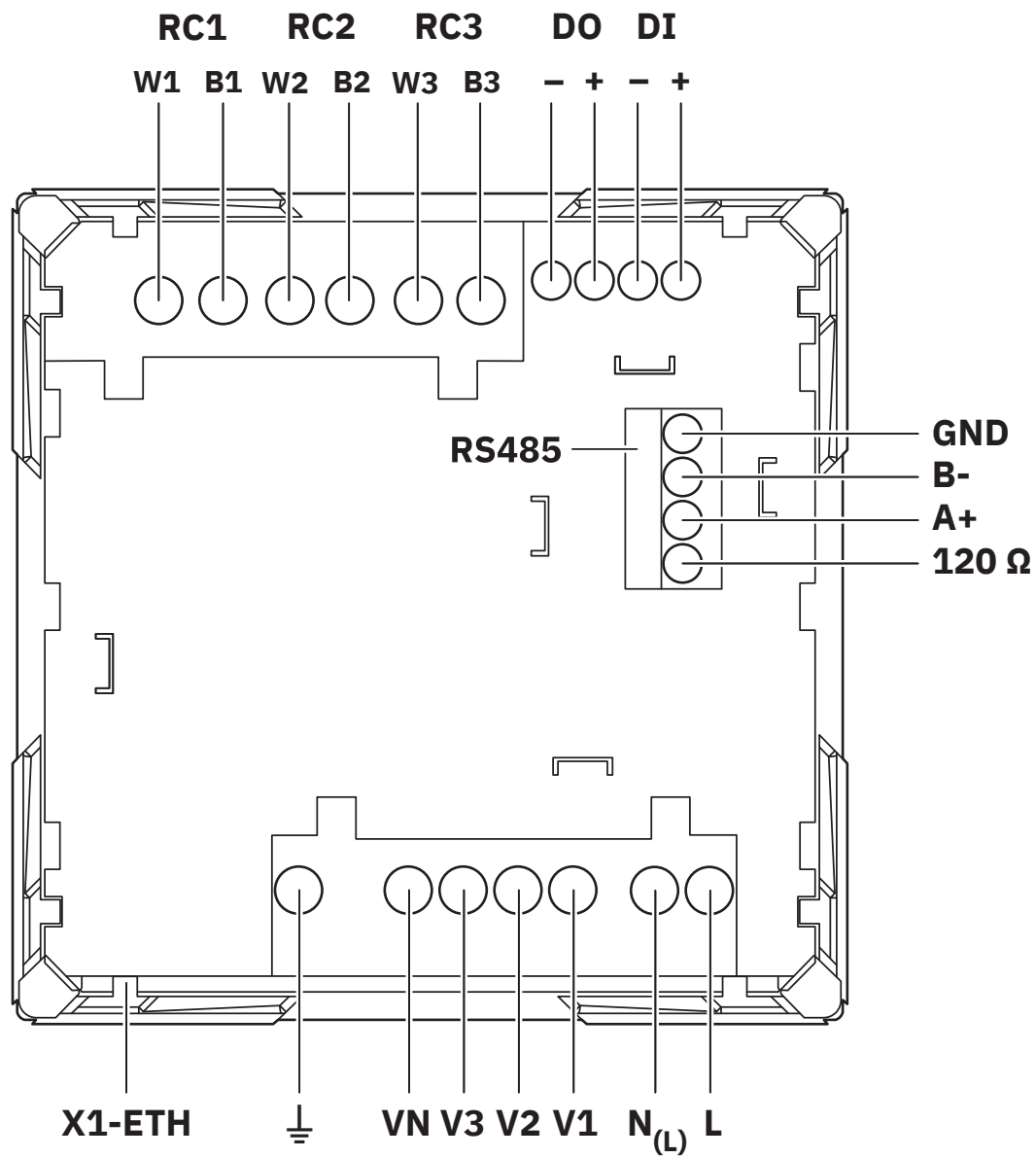
EEM-MA771-R - Measuring device

2908285

<https://www.phoenixcontact.com/gb/products/2908285>

Drawings

Connection diagram



Connection assignment

Connection diagram



Network type: 3PH-4W-3RC

Connection diagram



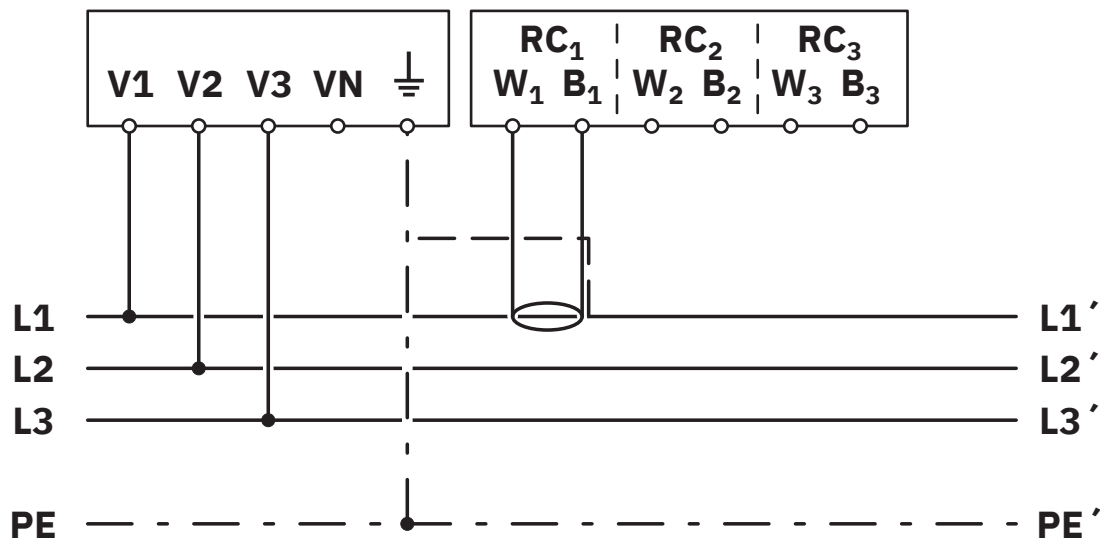
Network type: 3PH-4W-1RC

Connection diagram



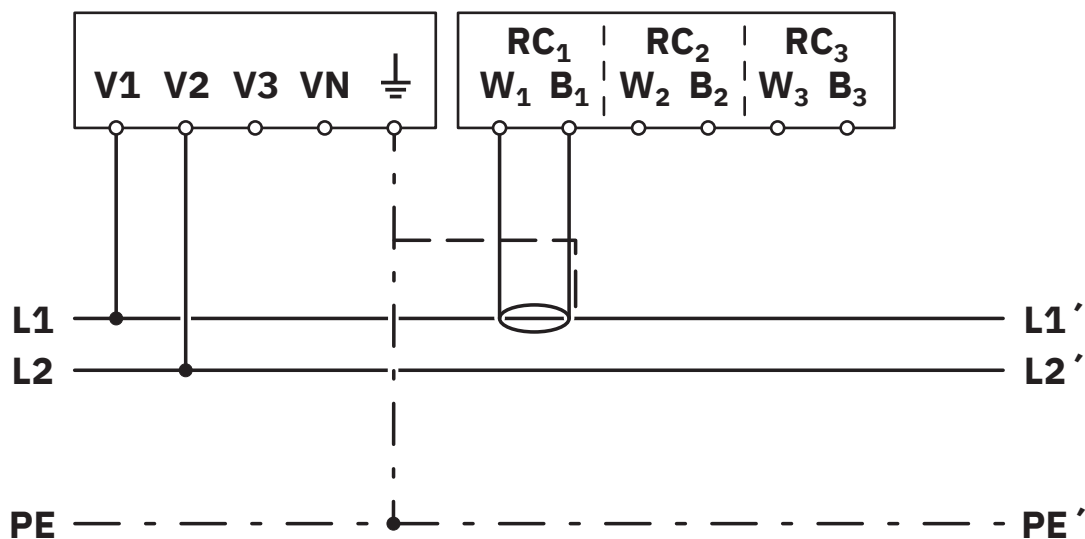
Network type: 3PH-3W-3RC

Connection diagram



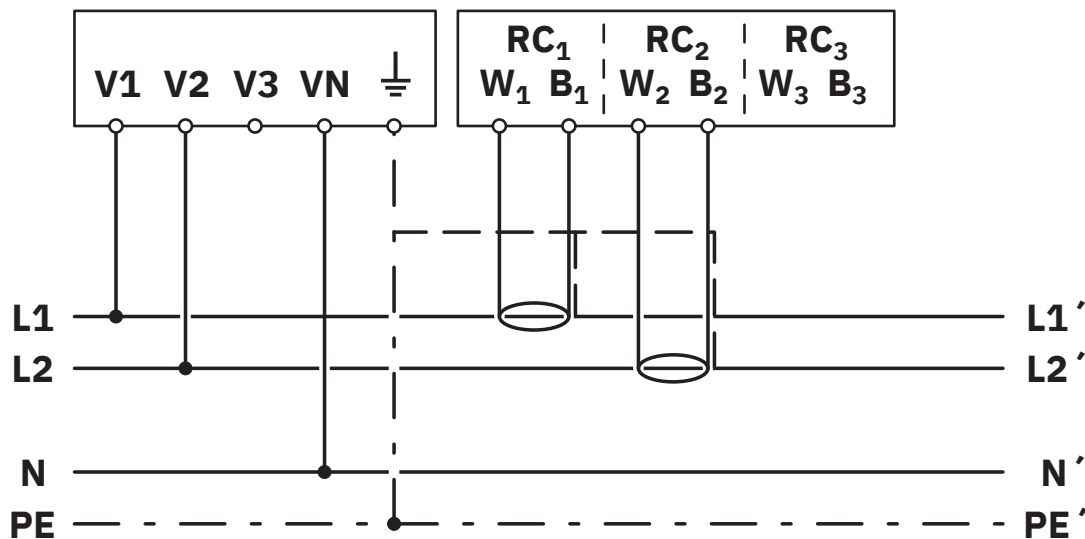
Network type: 3PH-3W-1RC

Connection diagram



Network type: 2PH-2W-1RC

Connection diagram



Network type: 2PH-3W-2RC

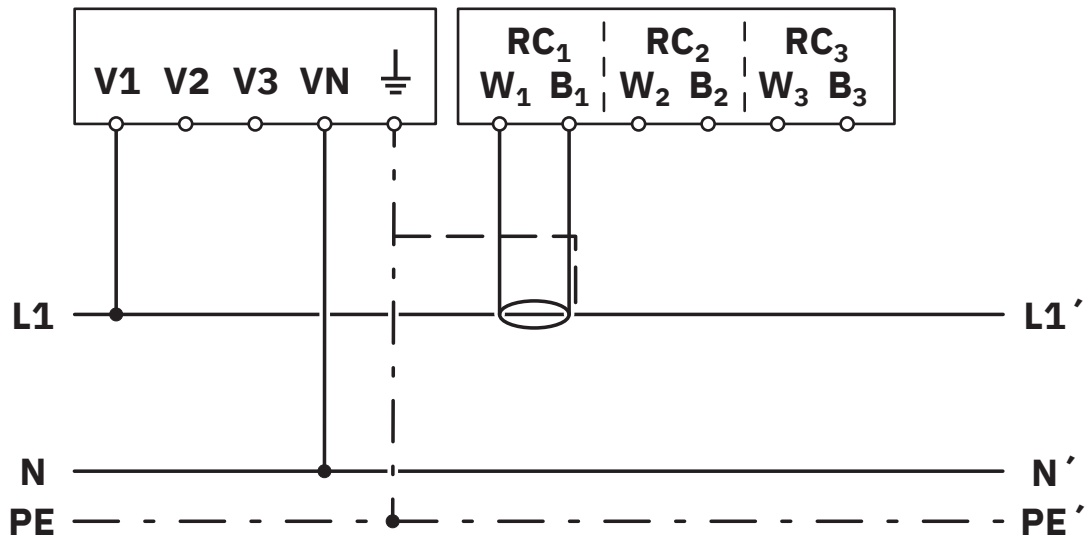
EEM-MA771-R - Measuring device

2908285

<https://www.phoenixcontact.com/gb/products/2908285>

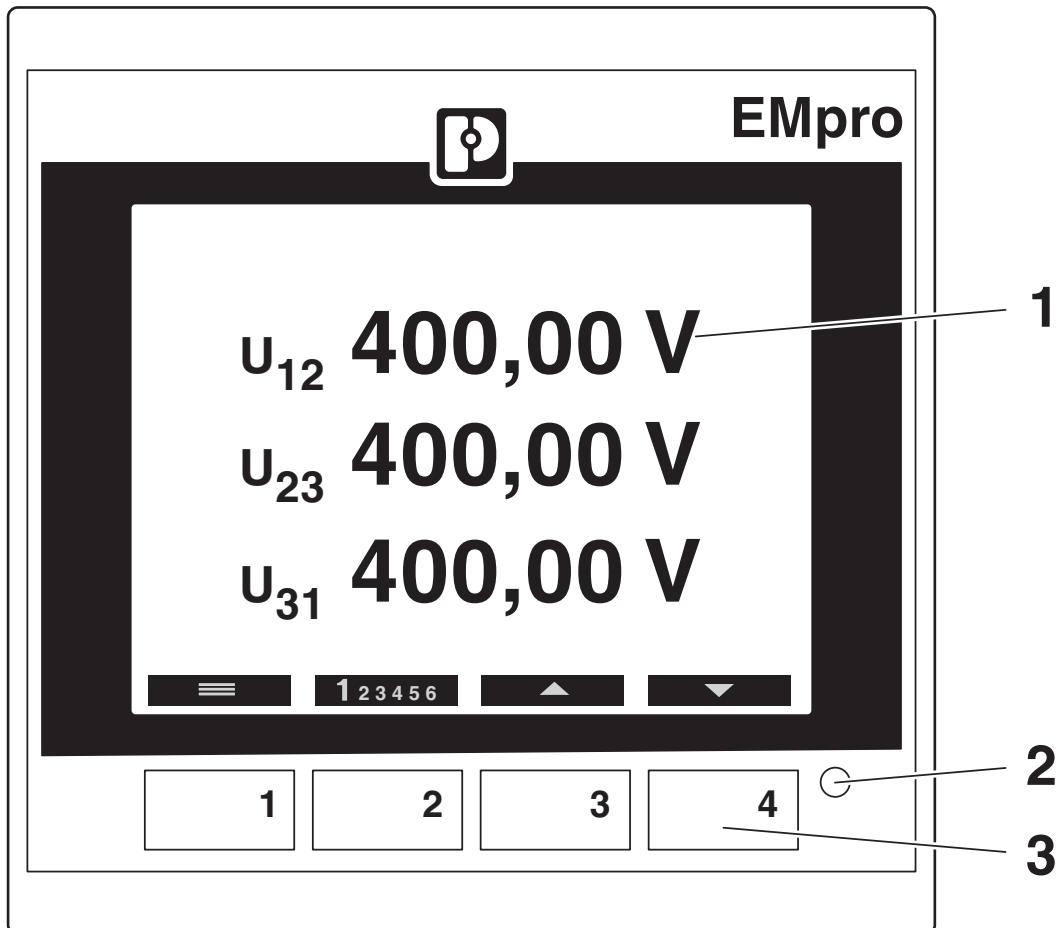


Connection diagram



Network type: 1PH-2W-1RC

Schematic diagram



Operating and indication elements

1 Backlit LCD

2 Pulse LED

3 Operating buttons for displaying measured values and for changing the configuration

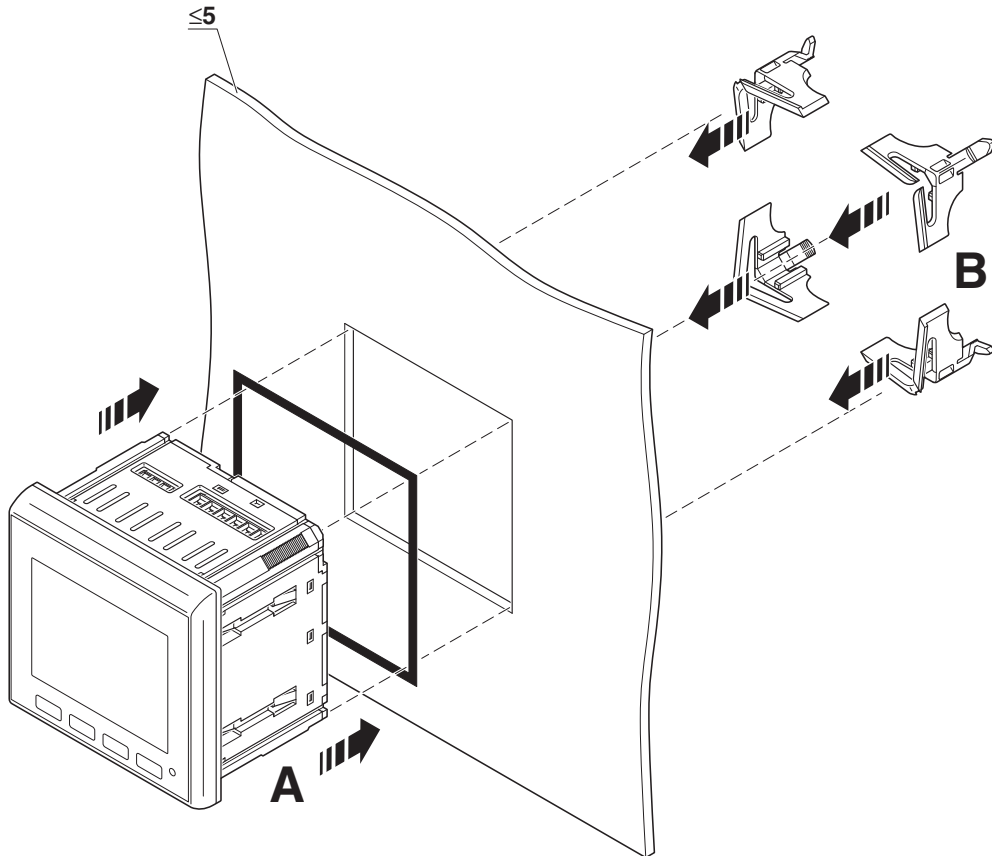
EEM-MA771-R - Measuring device

2908285

<https://www.phoenixcontact.com/gb/products/2908285>



Schematic diagram

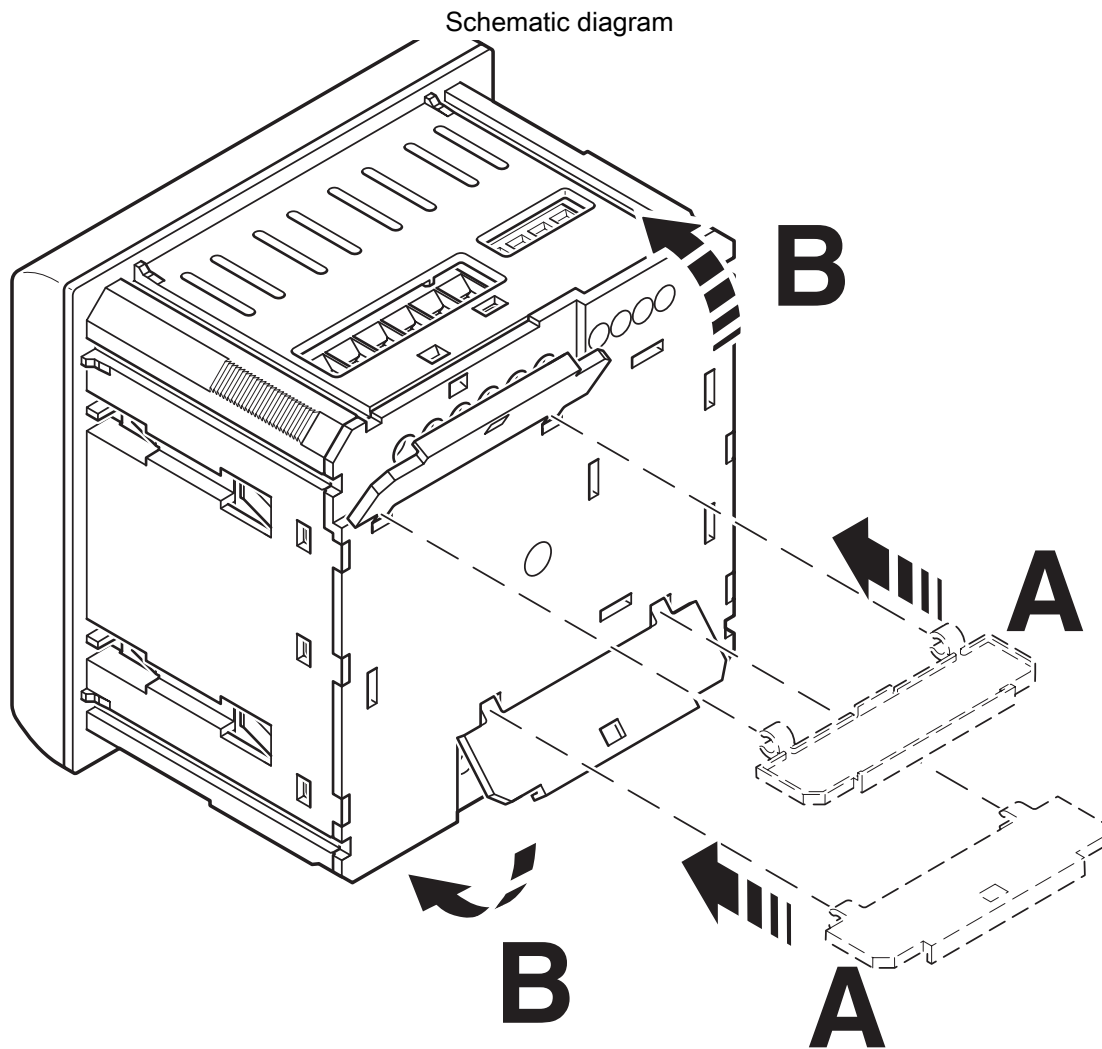


Mounting

EEM-MA771-R - Measuring device

2908285

<https://www.phoenixcontact.com/gb/products/2908285>



Mounting

EEM-MA771-R - Measuring device



2908285

<https://www.phoenixcontact.com/gb/products/2908285>

Approvals

To download certificates, visit the product detail page: <https://www.phoenixcontact.com/gb/products/2908285>



EAC

Approval ID: RU*DE*08.B.00734/19



UL Listed

Approval ID: E357804



cUL Listed

Approval ID: FILE E 357804



cULus Listed

Approval ID: E357804

EEM-MA771-R - Measuring device



2908285

<https://www.phoenixcontact.com/gb/products/2908285>

Classifications

ECLASS

ECLASS-13.0	27142330
ECLASS-15.0	27142330

ETIM

ETIM 9.0	EC002301
----------	----------

UNSPSC

UNSPSC 21.0	41113600
-------------	----------

EEM-MA771-R - Measuring device



2908285

<https://www.phoenixcontact.com/gb/products/2908285>

Environmental product compliance

EU RoHS

Fulfills EU RoHS substance requirements	Yes
Exemption	7(a), 7(c)-I

China RoHS

Environment friendly use period (EFUP)	EFUP-50
	An article-related China RoHS declaration table can be found in the download area for the respective article under "Manufacturer declaration". For all articles with EFUP-E, no China RoHS declaration table issued and required.

EU REACH SVHC

REACH candidate substance (CAS No.)	Lead(CAS: 7439-92-1)
	Perfluorobutane sulfonic acid (PFBS) and its salts(CAS: n/a)
SCIP	017f9920-7e1b-4f17-ad39-963e7b69e3ca

Phoenix Contact 2025 © - all rights reserved
<https://www.phoenixcontact.com>

PHOENIX CONTACT Ltd
Halesfield 13, Telford
Shropshire, TF7 4PG
01952 681700
info@phoenixcontact.co.uk