

# Product datasheet

Specifications



## TeSys D reversing contactor - 3P(3 NO) - AC-3 - $\leq 440$ V 40 A - 48 V AC coil

Local distributor code:

393512849

LC2D40AE7

**EAN Code: 3389119409483**

## Main

<b>Range</b>	TeSys TeSys Deca
<b>Product name</b>	TeSys D TeSys Deca
<b>Product or component type</b>	Reversing contactor
<b>Device short name</b>	LC2D
<b>Contactors application</b>	Resistive load Motor control
<b>Utilisation category</b>	AC-3 AC-1 AC-3e
<b>Device presentation</b>	Preassembled with reversing power busbar
<b>Poles description</b>	3P
<b>power pole contact composition</b>	3 NO
<b>[Ue] rated operational voltage</b>	Power circuit: $\leq 690$ V AC 25...400 Hz Power circuit: $\leq 300$ V DC
<b>[Ie] rated operational current</b>	40 A (at $\leq 60$ °C) at $\leq 440$ V AC AC-3 for power circuit 60 A (at $\leq 60$ °C) at $\leq 440$ V AC AC-1 for power circuit 40 A (at $\leq 60$ °C) at $\leq 440$ V AC AC-3e for power circuit
<b>Motor power kW</b>	11 kW at 220...230 V AC 50...60 Hz 18.5 kW at 380...400 V AC 50...60 Hz 22 kW at 415 V AC 50...60 Hz 22 kW at 440 V AC 50...60 Hz 22 kW at 500 V AC 50...60 Hz 30 kW at 660...690 V AC 50...60 Hz
<b>motor power HP (UL / CSA)</b>	5 hp at 230/240 V AC 60 Hz for 1 phase motors 10 hp at 230/240 V AC 60 Hz for 3 phases motors 30 hp at 575/600 V AC 60 Hz for 3 phases motors 10 hp at 200/208 V AC 60 Hz for 3 phases motors 3 hp at 115 V AC 60 Hz for 1 phase motors 30 hp at 460/480 V AC 60 Hz for 3 phases motors
<b>Control circuit type</b>	AC at 50/60 Hz
<b>[Uc] control circuit voltage</b>	48 V AC 50/60 Hz
<b>Auxiliary contact composition</b>	1 NO + 1 NC
<b>[Uimp] rated impulse withstand voltage</b>	6 kV conforming to IEC 60947
<b>Overvoltage category</b>	III
<b>[Ith] conventional free air thermal current</b>	10 A (at 60 °C) for signalling circuit 60 A (at 60 °C) for power circuit
<b>Irms rated making capacity</b>	140 A AC for signalling circuit conforming to IEC 60947-5-1 250 A DC for signalling circuit conforming to IEC 60947-5-1 800 A at 440 V for power circuit conforming to IEC 60947

<b>Rated breaking capacity</b>	800 A at 440 V for power circuit conforming to IEC 60947
<b>[Icw] rated short-time withstand current</b>	72 A 40 °C - 10 min for power circuit 165 A 40 °C - 1 min for power circuit 320 A 40 °C - 10 s for power circuit 720 A 40 °C - 1 s for power circuit 100 A - 1 s for signalling circuit 120 A - 500 ms for signalling circuit 140 A - 100 ms for signalling circuit
<b>Associated fuse rating</b>	10 A gG for signalling circuit conforming to IEC 60947-5-1 80 A gG at <= 690 V coordination type 1 for power circuit 80 A gG at <= 690 V coordination type 2 for power circuit
<b>Average impedance</b>	1.5 mOhm - Ith 60 A 50 Hz for power circuit
<b>[Ui] rated insulation voltage</b>	Power circuit: 690 V conforming to IEC 60947-4-1 Power circuit: 600 V CSA certified Power circuit: 600 V UL certified Signalling circuit: 690 V conforming to IEC 60947-1 Signalling circuit: 600 V CSA certified Signalling circuit: 600 V UL certified
<b>Electrical durability</b>	1.5 Mcycles 40 A AC-3 at Ue <= 440 V 1.4 Mcycles 60 A AC-1 at Ue <= 440 V 1.5 Mcycles 40 A AC-3e at Ue <= 440 V
<b>Power dissipation per pole</b>	2.4 W AC-3 5.4 W AC-1 2.4 W AC-3e
<b>Front cover</b>	With
<b>Interlocking type</b>	Mechanical
<b>Mounting support</b>	Plate Rail
<b>Standards</b>	CSA C22.2 No 14 EN 60947-4-1 EN 60947-5-1 IEC 60947-4-1 IEC 60947-5-1 UL 60335-2-40:Annex JJ IEC 60335-1
<b>Product certifications</b>	UL CSA RINA GOST CCC DNV LROS (Lloyds register of shipping) GL BV UKCA
<b>Connections - terminals</b>	Control circuit: screw clamp terminals 1 cable(s) 1...4 mm <sup>2</sup> flexible without cable end Control circuit: screw clamp terminals 2 cable(s) 1...4 mm <sup>2</sup> flexible without cable end Control circuit: screw clamp terminals 1 cable(s) 1...4 mm <sup>2</sup> flexible with cable end Control circuit: screw clamp terminals 2 cable(s) 1...2.5 mm <sup>2</sup> flexible with cable end Control circuit: screw clamp terminals 1 cable(s) 1...4 mm <sup>2</sup> solid Control circuit: screw clamp terminals 2 cable(s) 1...4 mm <sup>2</sup> solid Power circuit: EverLink BTR screw connectors 1 cable(s) 1...35 mm <sup>2</sup> flexible without cable end Power circuit: EverLink BTR screw connectors 2 cable(s) 1...25 mm <sup>2</sup> flexible without cable end Power circuit: EverLink BTR screw connectors 1 cable(s) 1...35 mm <sup>2</sup> flexible with cable end Power circuit: EverLink BTR screw connectors 2 cable(s) 1...25 mm <sup>2</sup> flexible with cable end Power circuit: EverLink BTR screw connectors 1 cable(s) 1...35 mm <sup>2</sup> solid Power circuit: EverLink BTR screw connectors 2 cable(s) 1...25 mm <sup>2</sup> solid

<b>Tightening torque</b>	Control circuit: 1.7 N.m - on screw clamp terminals - with screwdriver flat Ø 6 mm Control circuit: 1.7 N.m - on screw clamp terminals - with screwdriver Philips No 2 Power circuit: 8 N.m - on EverLink BTR screw connectors - cable 25...35 mm <sup>2</sup> hexagonal screw head 4 mm Power circuit: 5 N.m - on EverLink BTR screw connectors - cable 1...25 mm <sup>2</sup> hexagonal screw head 4 mm Control circuit: 1.7 N.m - on screw clamp terminals - with screwdriver pozidriv No 2 Power circuit: 2.5 N.m - on screw clamp terminals - with screwdriver pozidriv No 2
<b>Operating time</b>	4...19 ms opening 12...26 ms closing
<b>Safety reliability level</b>	B10d = 1369863 cycles contactor with nominal load conforming to EN/ISO 13849-1 B10d = 20000000 cycles contactor with mechanical load conforming to EN/ISO 13849-1
<b>Mechanical durability</b>	6 Mcycles
<b>Maximum operating rate</b>	3600 cyc/h 60 °C

## Complementary

<b>Coil technology</b>	Without built-in suppressor module
<b>Control circuit voltage limits</b>	0.3...0.6 Uc (-40...70 °C):drop-out AC 50/60 Hz 0.8...1.1 Uc (-40...60 °C):operational AC 50 Hz 0.85...1.1 Uc (-40...60 °C):operational AC 60 Hz 1...1.1 Uc (60...70 °C):operational AC 50/60 Hz
<b>Inrush power in VA</b>	140 VA 60 Hz cos phi 0.75 (at 20 °C) 160 VA 50 Hz cos phi 0.75 (at 20 °C)
<b>Hold-in power consumption in VA</b>	13 VA 60 Hz cos phi 0.3 (at 20 °C) 15 VA 50 Hz cos phi 0.3 (at 20 °C)
<b>Heat dissipation</b>	4...5 W at 50/60 Hz
<b>Auxiliary contacts type</b>	type mechanically linked 1 NO + 1 NC conforming to IEC 60947-5-1 type mirror contact 1 NC conforming to IEC 60947-4-1
<b>Signalling circuit frequency</b>	25...400 Hz
<b>Minimum switching current</b>	5 mA for signalling circuit
<b>Minimum switching voltage</b>	17 V for signalling circuit
<b>Non-overlap time</b>	1.5 ms on de-energisation between NC and NO contact 1.5 ms on energisation between NC and NO contact
<b>Insulation resistance</b>	> 10 MOhm for signalling circuit

## Environment

<b>IP degree of protection</b>	IP20 front face conforming to IEC 60529
<b>Climatic withstand</b>	conforming to IACS E10 conforming to IEC 60947-1 Annex Q category D
<b>Protective treatment</b>	TH conforming to IEC 60068-2-30
<b>Pollution degree</b>	3
<b>Ambient air temperature for operation</b>	-40...60 °C 60...70 °C with derating
<b>Ambient air temperature for storage</b>	-60...80 °C
<b>Operating altitude</b>	0...3000 m
<b>Fire resistance</b>	850 °C conforming to IEC 60695-2-1
<b>Flame retardance</b>	V1 conforming to UL 94
<b>Mechanical robustness</b>	Vibrations contactor open: 2 Gn, 5...300 Hz Vibrations contactor closed: 4 Gn, 5...300 Hz Shocks contactor open: 10 Gn for 11 ms Shocks contactor closed: 15 Gn for 11 ms

---

Height	122 mm
Width	119 mm
Depth	120 mm
Net weight	1.87 kg

---

## Packing Units

---

Unit Type of Package 1	PCE
Number of Units in Package 1	1
Package 1 Height	14.000 cm
Package 1 Width	16.200 cm
Package 1 Length	19.800 cm
Package 1 Weight	2.073 kg
Unit Type of Package 2	S03
Number of Units in Package 2	4
Package 2 Height	30.000 cm
Package 2 Width	30.000 cm
Package 2 Length	40.000 cm
Package 2 Weight	8.782 kg

---

## Logistical informations

---

Country of origin	FR
-------------------	----

---

## Contractual warranty

---

Warranty	18 months
----------	-----------

---



## Environmental Data

Schneider Electric aims to achieve Net Zero status by 2050 through supply chain partnerships, lower impact materials, and circularity via our ongoing “Use Better, Use Longer, Use Again” campaign to extend product lifetimes and recyclability.

[Environmental Data explained >](#)

[How we assess product sustainability >](#)

### Environmental footprint

Total lifecycle Carbon footprint 124

Environmental Disclosure [Product Environmental Profile](#)

### Use Better

#### Materials and Substances

Packaging made with recycled cardboard Yes

Packaging without single use plastic Yes

[EU RoHS Directive](#) Compliant

REACH Regulation [REACH Declaration](#)

PVC free Yes

### Use Again

#### Repack and remanufacture

Recyclability potential, in % 62

End of life manual availability [End of Life Information](#)

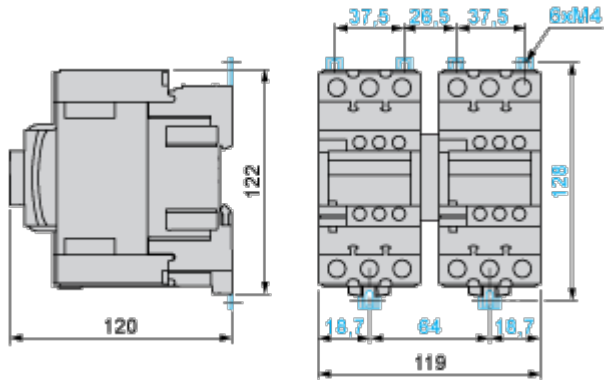
Take-back No

WEEE Label  The product must be disposed on European Union markets following specific waste collection and never end up in rubbish bins

Dimensions Drawings

Dimensions

---



Connections and Schema

Wiring

---



Technical Illustration

Assembly's dimensions

---

