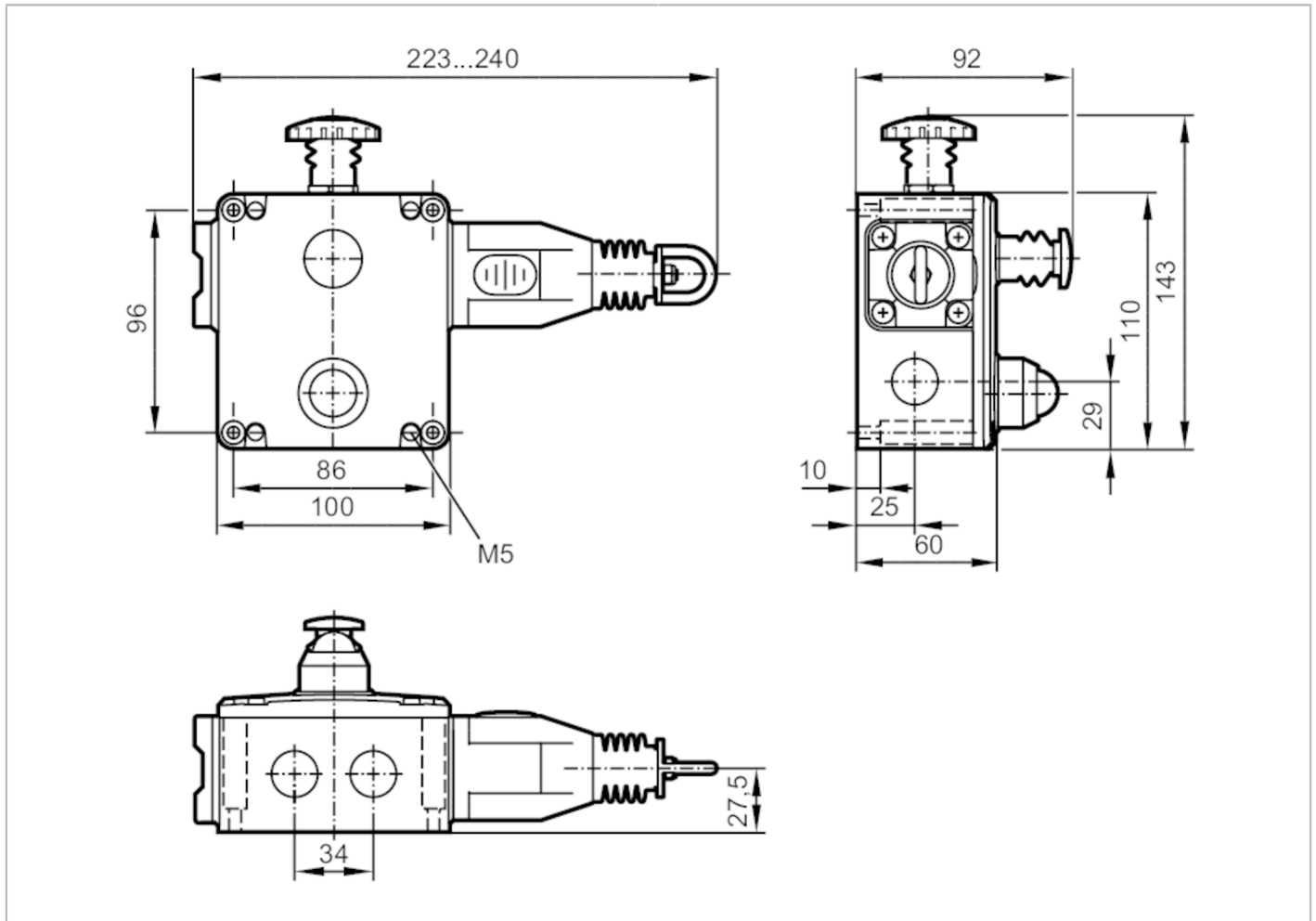


ZB0052



Safety rope emergency stop switch

Rope Switch LH LED 24V DC



Electrical data	
Operating voltage	[V] 110...240 AC / 5...24 DC; (LED)
Rated insulation voltage	[V] 500
Outputs	
Electrical design	snap-action contact; max. switching voltage: 240 V; switching capacity: 720 VA; thermal current: 10 A
Output function	auxiliary contact 2 x normally open safety contact 4 x NC
Minimum load current	[mA] 5; (5 V DC)
Contact rating	3 A (240 V AC) / 6 A (120 V AC) / 2,5 A (24 V DC); (inductive load)
Short-circuit protection	no
Operating conditions	
Ambient temperature	[°C] -25...80
Protection	IP 67
Tests / approvals	
Shock resistance	15 g / 11 ms
Vibration resistance	10-500 Hz

ZB0052



Safety rope emergency stop switch

Rope Switch LH LED 24V DC

Mechanical data		
Weight	[g]	1244
Materials	housing: diecast aluminium yellow; switching contact: silver-plated	
Information on service life	Switching cycles (mechanical):	> 1.000.000
Installation position	any	
Rope span	125 m; (per side)	
Activation force	[N]	< 125; (tension force: 130 N)
Displays / operating elements		
Display	operation	LED, green
	errors	LED, red flashing
Electrical connection		
Required protection	10 A; fast acting	
Remarks		
Remarks	For information about installation and operation please see the operating instructions.	
Pack quantity	1 pcs.	

Electrical connection
terminals: ...2.5 mm²

Connection

