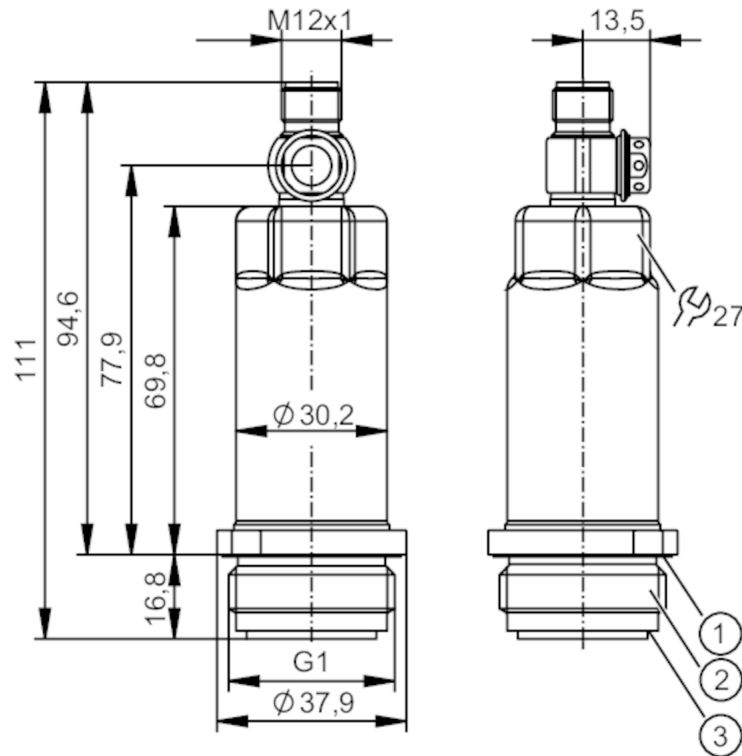


PM1789



Flush pressure sensor

PM-,10BREA01-E-ZVG/US



- 1 groove with sealing ring (DIN EN ISO 1179-2)
- 2 external thread G1 (Aseptoflex Vario)
- 3 groove for sealing ring



ACS



CRN



EC 1935/2004

EHEDG Certified

FCM



Reg31



Product characteristics

Number of inputs and outputs	Number of digital outputs: 1; Number of analogue outputs: 1			
Measuring range	-0.005...0.1 bar	-5...100 mbar	-0.073...1.45 psi	-0.5...10 kPa
Process connection	threaded connection G 1 external thread Aseptoflex Vario			

Application

Special feature	Gold-plated contacts		
Measuring element	ceramic-capacitive pressure measuring cell		
Temperature monitoring	no		
Application	flush mountable for the food and beverage industry		
Media	viscous media and liquids with suspended particles; liquids and gases		
Medium temperature [°C]	-25...150		
Min. bursting pressure	30000 mbar	435 psi	3000 kPa
Pressure rating	4000 mbar	58 psi	400 kPa
Vacuum resistance [mbar]	-1000		
Type of pressure	relative pressure		
No dead space	yes		
MAWP for applications according to CRN [bar]	4		

Electrical data

Operating voltage [V]	18...30 DC
-----------------------	------------

PM1789



Flush pressure sensor

PM-,10BREA01-E-ZVG/US

Min. insulation resistance	[MΩ]	100; (500 V DC)
Protection class		III
Reverse polarity protection		yes
Integrated watchdog		yes

2-wire		
Current consumption	[mA]	3.5...21.5
Power-on delay time	[s]	1

3-wire		
Current consumption	[mA]	< 45
Power-on delay time	[s]	0.5

Inputs / outputs

Number of inputs and outputs	Number of digital outputs: 1; Number of analogue outputs: 1
------------------------------	---

Outputs

Total number of outputs	2
Output signal	analogue signal; IO-Link; (configurable)
Number of digital outputs	1; (IO-Link)
Number of analogue outputs	1
Analogue current output	[mA] 4...20; (scalable)
Max. load	[Ω] 700; (U _b = 24 V; (U _b - 9 V) / 21.5 mA)
Short-circuit proof	yes
Overload protection	yes

Measuring/setting range

Measuring range	-0.005...0.1 bar	-5...100 mbar	-0.073...1.45 psi	-0.5...10 kPa
Analogue start point	-5...80 mbar	-0.073...1.16 psi	-0.5...8 kPa	
Analogue end point	15...100 mbar	0.218...1.45 psi	1.5...10 kPa	
In steps of	0.05 mbar	0.001 psi	0.005 kPa	
Factory setting	ASP = 0.0 mbar	AEP = 100 mbar		

Accuracy / deviations

Repeatability	[% of the span]	< ± 0,1; (with temperature fluctuations < 10 K; Turn down 1:1)
Characteristics deviation	[% of the span]	< ± 0,5; (linearity incl. hysteresis and repeatability, limit value setting to DIN EN IEC 62828-1)
Linearity deviation	[% of the span]	< ± 0,25; (Turn down 1:1)
Hysteresis deviation	[% of the span]	< ± 0,2; (Turn down 1:1)
Long-term stability	[% of the span]	< ± 0,1; (Turn down 1:1; per year)

Total deviation over temperature range	Temperature range	total deviation
	-25...15 °C	Characteristics deviation ± 0,15 % of the span / 10 K
	15...80 °C	Characteristics deviation
	80...150 °C	Characteristics deviation ± 0,2 % of the span / 10 K

Notes on the accuracy / deviation	for further details see section Diagrams and graphs
-----------------------------------	---

PM1789



Flush pressure sensor

PM-,10BREA01-E-ZVG/US

Response times		
Damping for the analogue output dAA [s]	0...4	
2-wire		
Step response time analogue output [ms]	30	
3-wire		
Step response time analogue output [ms]	7	
Interfaces		
Communication interface	IO-Link	
Transmission type	COM2 (38,4 kBaud)	
IO-Link revision	1.1	
SDCI standard	IEC 61131-9	
Profiles	Smart Sensor - SSP 3.1 Common - I&D	Measuring Sensor Identification and Diagnosis
SIO mode	no	
Required master port type	A	
Process data analogue	3	
Min. process cycle time [ms]	3.2	
IO-Link resolution pressure [mbar]	0.02	
IO-Link functions (acyclical)	application specific tag; internal temperature	
Supported DeviceIDs	Type of operation default	DeviceID 670
Operating conditions		
Ambient temperature [°C]	-25...80	
Storage temperature [°C]	-40...100	
Protection	IP 67; IP 68; IP 69K	
Tests / approvals		
EMC	DIN EN 61000-6-2	
	DIN EN 61000-6-3	
Shock resistance	DIN EN 60068-2-27	50 g (11 ms)
Vibration resistance	DIN EN 60068-2-6	20 g (10...2000 Hz)
MTTF [years]		323
Note on approval	factory certificate available as download at www.factory-certificate.ifm	
UL approval	UL approval no.	J021
Mechanical data		
Weight [g]	272.15	
Housing	cylindrical	
Dimensions [mm]	Ø 30.2 / L = 111	
Materials	stainless steel (316L/1.4404); PBT	
Materials (wetted parts)	ceramics (99.9 % Al ₂ O ₃); stainless steel (316L/1.4435) surface characteristics: Ra < 0,4 µm / Rz = 4 µm; PTFE	
Min. pressure cycles	100 million	
Tightening torque [Nm]	35	

PM1789



Flush pressure sensor

PM-,10BREA01-E-ZVG/US

Process connection

threaded connection G 1 external thread Aseptoflex Vario

Remarks

Pack quantity

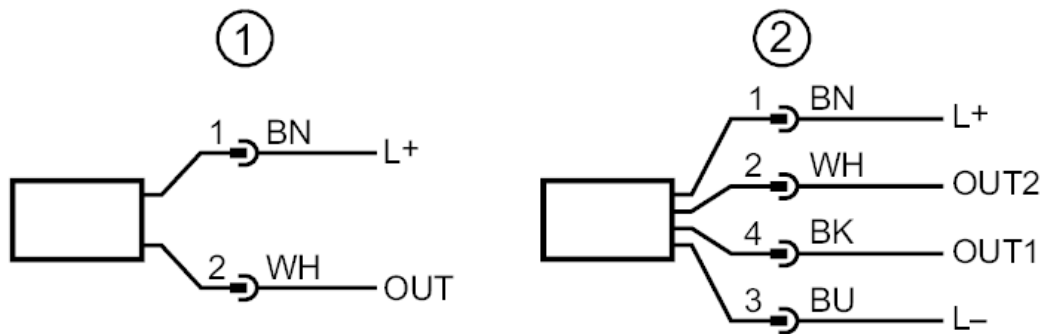
1 pcs.

Electrical connection

Connector: 1 x M12; coding: A; Contacts: gold-plated



Connection



- 1 connection for 2-wire operation (analogue)
- 2 connection for 3-wire operation (analogue / IO-Link)
OUT1 : IO-Link
OUT2 : analogue output

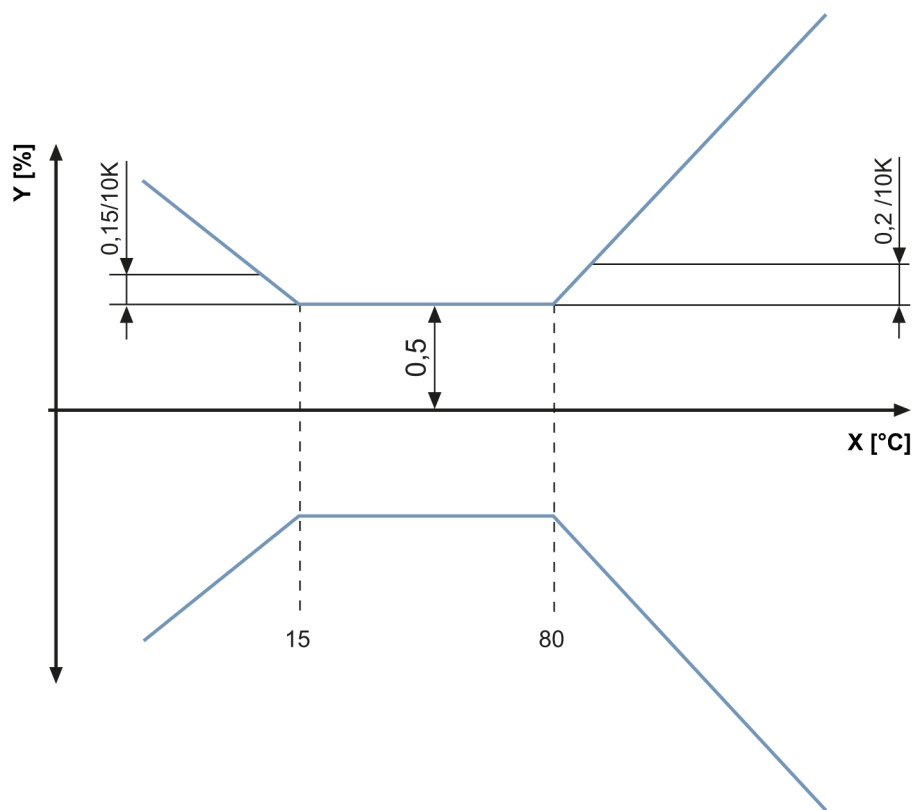
PM1789



Flush pressure sensor

PM-,10BREA01-E-ZVG/US

Diagrams and graphs



X temperature
Y total deviation