

E12650



Connecting cable with socket

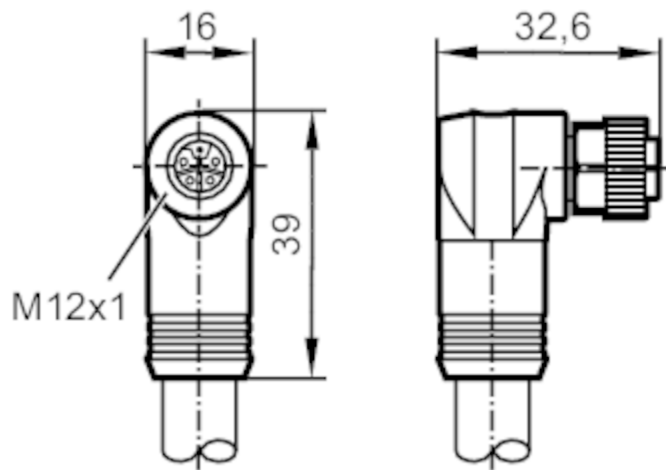
ADOAX050MSS0050H05

phase-out article

Discontinuation date: 03/31/2026

Alternative articles: EVCA24

When selecting an alternative article and accessories please note that technical data may differ!



Application

Special feature	Gold-plated contacts
Design	power cable, L-coded
Application	Industrial applications / factory automation

Electrical data

Operating voltage	[V]	63 DC
Max. current load total	[A]	16

Operating conditions

Ambient temperature	[°C]	-40...90
Protection		IP 67

Mechanical data

Weight	[g]	10609
Dimensions	[mm]	39 x 16 x 38.1
Moulded-body material		TPE
Material nut		brass, nickel-plated
Sealing material		FKM

Remarks

Pack quantity		1 pcs.
---------------	--	--------

E12650



Connecting cable with socket

ADOAX050MSS0050H05

Electrical connection

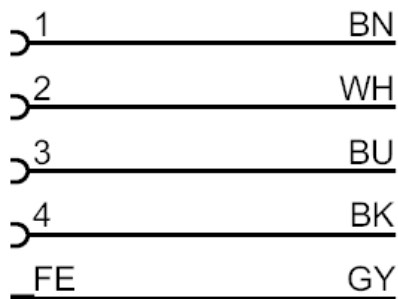
Cable: 50 m, PVC/PUR, black, Ø 11.3 mm; 5 x 2.5 mm²

Electrical connection - socket

Connector: 1 x M12, angled; coding: L; Moulded body: TPE; Locking: brass, nickel-plated; Sealing: FKM; Contacts: gold-plated



Connection



Core colours :
BN = brown
WH = white
BU = blue
BK = black
GY = grey