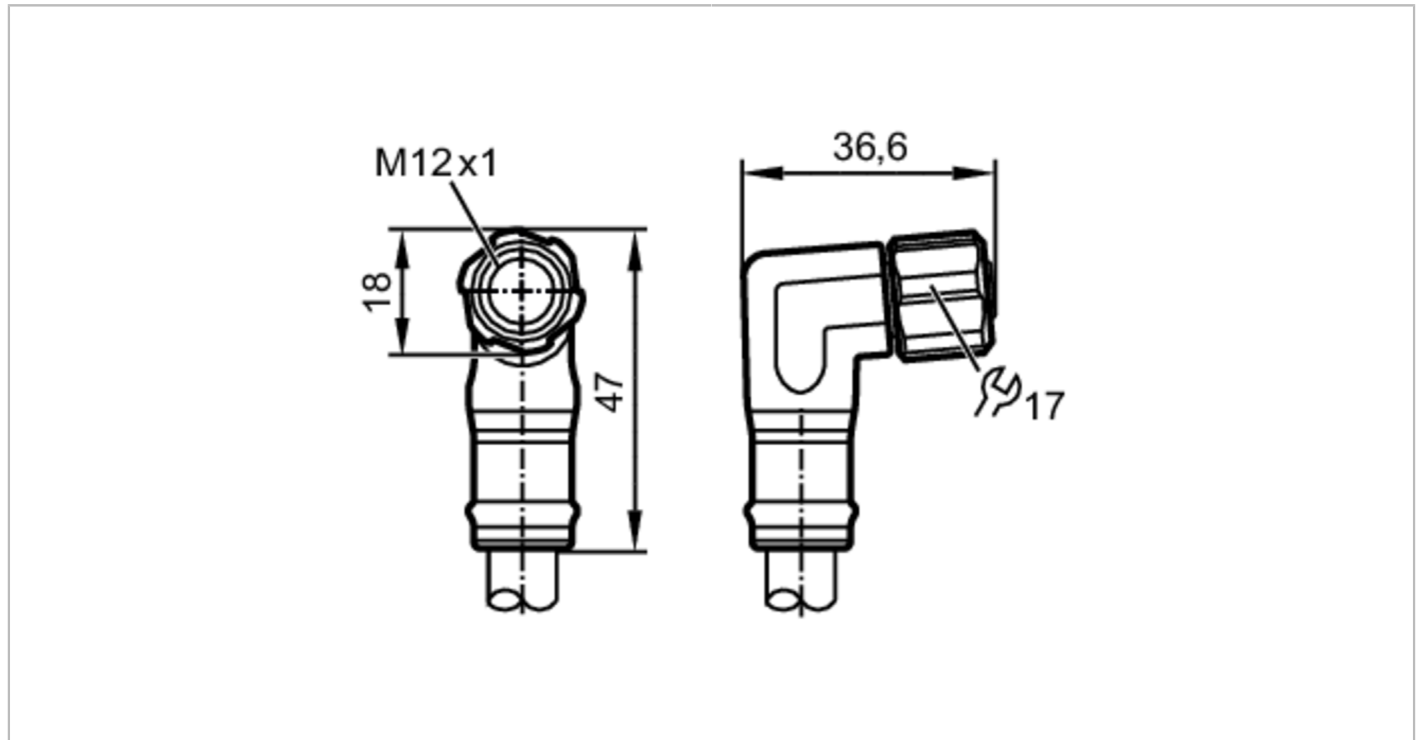


EVCA24



Connecting cable with socket

ADOAE050MSS0050H05



Application	
Special feature	Free from silicone; Halogen-free; Gold-plated contacts; Drag chain suitability
Design	power cable, L-coded
Application	Industrial applications / factory automation; Use in machine tools, coolants and lubricants
Free from silicone	yes
Electrical data	
Operating voltage [V]	63 DC
Protection class	III
Max. current load total [A]	16
Operating conditions	
Ambient temperature [°C]	-25...90
Note on ambient temperature	cULus: ...80 °C
Storage temperature [°C]	-25...55
Storage humidity [%]	10...100
Other climatic conditions for storage according to stated class	1K22/ DIN 60721-3-1
Protection	IP 65; IP 67; IP 69K
Mechanical data	
Weight [g]	9745.8
Moulded-body material	TPU
Material nut	brass, nickel-plated
Sealing material	FKM
Drag chain suitability	yes

EVCA24



Connecting cable with socket

ADOAE050MSS0050H05

Drag chain suitability	bending radius for flexible use	min. 10 x cable diameter
	travel speed	max. 3.3 m/s for a horizontal travel length of 5 m and max. acceleration of 5 m/s ²
	bending cycles	> 5 Mio.
	torsional strain	± 180 °/m

Remarks

Pack quantity	1 pcs.
---------------	--------

Electrical connection - Connection

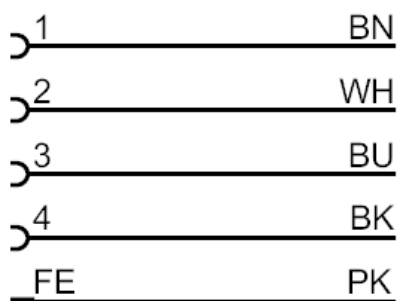
Cable: 50 m, PUR, Halogen-free, grey, Ø 10.1 mm; 5 x 2.5 mm² (141 x Ø 0.15 mm)

Electrical connection - socket

Connector: 1 x M12, angled; coding: L; Moulded body: TPU, orange; Locking: brass, nickel-plated; Sealing: FKM; Contacts: gold-plated; Tightening torque: 0.6...1.2 Nm



Connection



Core colours :
 BK = black
 BN = brown
 BU = blue
 PK = pink
 WH = white