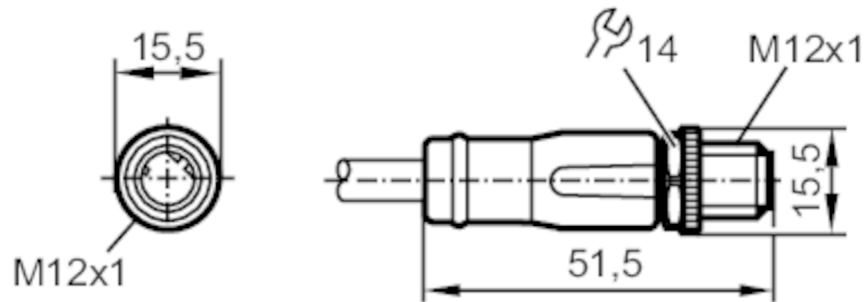




## Connecting cable with plug

ASTGN040MSS0050K04



### Application

Special feature	Free from silicone; Halogen-free; Gold-plated contacts; Screened cable; Drag chain suitability
Design	Ethernet cable, D-coded
Application	Industrial Ethernet; CAT5/CAT5e; 100 Mbit/s; Industrial applications / factory automation; Use in machine tools, coolants and lubricants
Free from silicone	yes

### Electrical data

Operating voltage	[V]	30 AC / 60 DC
Protection class		III
Max. current load total	[A]	4

### Operating conditions

Ambient temperature	[°C]	-25...90
Ambient temperature (moving)	[°C]	-25...90
Protection		IP 65; IP 67

### Mechanical data

Weight	[g]	2153.3
Moulded-body material		TPU
Material nut		brass, nickel-plated
Drag chain suitability		yes

# EVC897



## Connecting cable with plug

ASTGN040MSS0050K04

Drag chain suitability	bending radius for flexible use	min. 10 x cable diameter
	travel speed	max. 3.3 m/s for a horizontal travel length of 5 m and max. acceleration of 5 m/s <sup>2</sup>
	bending cycles	> 3 Mio.
	torsional strain	± 180 °/m

### Remarks

Pack quantity	1 pcs.
---------------	--------

### Electrical connection - plug

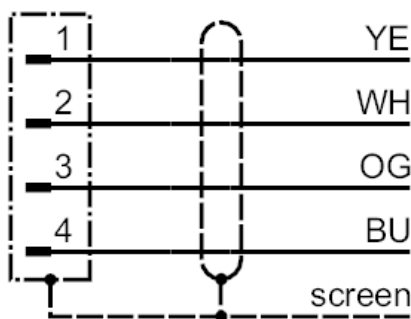
Connector: 1 x M12, straight; coding: D; Moulded body: TPU, black; Locking: brass, nickel-plated; Contacts: gold-plated; Tightening torque: 0.6...1.2 Nm; Shielded connection cable: screen connected



### Electrical connection

Cable: 50 m, PUR, Halogen-free, green, Ø 6.5 mm, shielded; PROFINET Type C; 4 x 0.34 mm<sup>2</sup> (7 x Ø 0.25 mm )

### Connection



Core colours :  
BU = blue  
OG = orange  
WH = white  
YE = yellow