

PROT-M 8 MS-PA-CHAIN - Screw plug



1430860

<https://www.phoenixcontact.com/gb/products/1430860>

Please be informed that the data shown in this PDF document is generated from our online catalog. Please find the complete data in the user documentation. Our general terms of use for downloads are valid.

M8 sealing cap made of plastic with fixing band for sensor cables, for M8 sockets



Commercial data

| | |
|--------------------------------------|---------------|
| Item number | 1430860 |
| Packing unit | 10 pc |
| Minimum order quantity | 10 pc |
| Sales key | AF1ZAX |
| Product key | AF1ZAX |
| GTIN | 4046356332859 |
| Weight per piece (including packing) | 2.04 g |
| Weight per piece (excluding packing) | 2.03 g |
| Customs tariff number | 39269097 |
| Country of origin | DE |

PROT-M 8 MS-PA-CHAIN - Screw plug

1430860

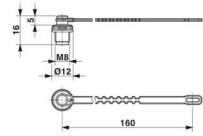
<https://www.phoenixcontact.com/gb/products/1430860>

Technical data

Product properties

| | |
|--------------|----------------------------|
| Product type | Plug for cable screw gland |
| Thread type | M8 |

Dimensions

| | |
|---------------------|--|
| Dimensional drawing |  |
| Diameter | 12 mm |

Material specifications

| | |
|-------------------------------|--------------------|
| Material | PUR (Holding band) |
| Seal material | NBR |
| Material for screw connection | PA 6.6 |

Environmental and real-life conditions

Ambient conditions

| | |
|---|------------------|
| Degree of protection | IP65 |
| | IP67 |
| Ambient temperature (operation) (male connector/female connector) | -25 °C ... 85 °C |

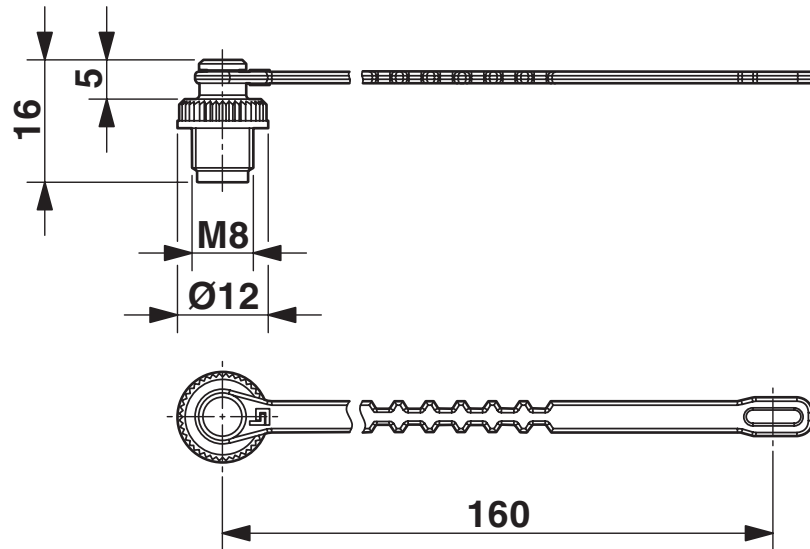
PROT-M 8 MS-PA-CHAIN - Screw plug

1430860

<https://www.phoenixcontact.com/gb/products/1430860>

Drawings

Dimensional drawing



Dimensional drawing

PROT-M 8 MS-PA-CHAIN - Screw plug



1430860

<https://www.phoenixcontact.com/gb/products/1430860>

Classifications

ECLASS

| | |
|-------------|----------|
| ECLASS-13.0 | 23111190 |
| ECLASS-15.0 | 23111190 |

ETIM

| | |
|----------|----------|
| ETIM 9.0 | EC000032 |
|----------|----------|

UNSPSC

| | |
|-------------|----------|
| UNSPSC 21.0 | 31261500 |
|-------------|----------|

PROT-M 8 MS-PA-CHAIN - Screw plug



1430860

<https://www.phoenixcontact.com/gb/products/1430860>

Environmental product compliance

EU RoHS

| | |
|---|--------------------|
| Fulfills EU RoHS substance requirements | Yes, No exemptions |
|---|--------------------|

China RoHS

| | |
|--|--|
| Environment friendly use period (EFUP) | EFUP-E |
| | No hazardous substances above the limits |

EU REACH SVHC

| | |
|-------------------------------------|----------------------------|
| REACH candidate substance (CAS No.) | No substance above 0.1 wt% |
|-------------------------------------|----------------------------|

Phoenix Contact 2025 © - all rights reserved
<https://www.phoenixcontact.com>

PHOENIX CONTACT Ltd
Halesfield 13, Telford
Shropshire, TF7 4PG
01952 681700
info@phoenixcontact.co.uk