

PROT-M12 FS-PA-CHAIN - Sealing cap



1430873

<https://www.phoenixcontact.com/gb/products/1430873>

Please be informed that the data shown in this PDF document is generated from our online catalog. Please find the complete data in the user documentation. Our general terms of use for downloads are valid.

M12 sealing cap made of plastic with fixing band, for sensor cables, for free M12 plugs



Commercial data

Item number	1430873
Packing unit	5 pc
Minimum order quantity	5 pc
Sales key	AF1ZAX
Product key	AF1ZAX
GTIN	4046356332842
Weight per piece (including packing)	5.21 g
Weight per piece (excluding packing)	4.6 g
Customs tariff number	39269097
Country of origin	DE

PROT-M12 FS-PA-CHAIN - Sealing cap

1430873

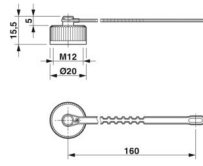
<https://www.phoenixcontact.com/gb/products/1430873>

Technical data

Product properties

Product type	Protective cap
Thread type	M12

Dimensions

Dimensional drawing	
Diameter	20 mm

Material specifications

Material	PA 6.6 GF (Holding band)
Flammability rating according to UL 94	V0
Seal material	NBR

Environmental and real-life conditions

Ambient conditions

Degree of protection	IP65 IP67
Ambient temperature (operation) (male connector/female connector)	-25 °C ... 85 °C

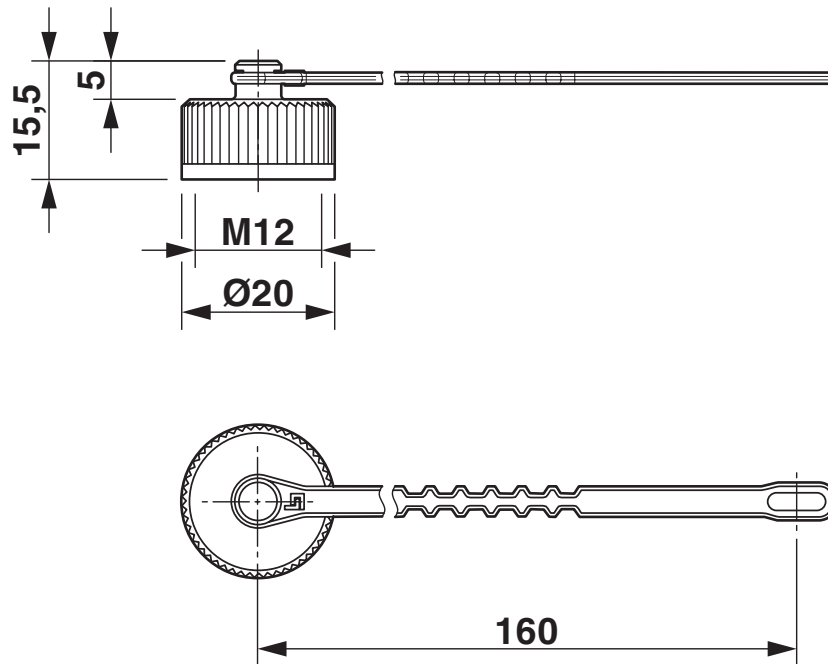
PROT-M12 FS-PA-CHAIN - Sealing cap

1430873

<https://www.phoenixcontact.com/gb/products/1430873>

Drawings

Dimensional drawing



Dimensional drawing

PROT-M12 FS-PA-CHAIN - Sealing cap



1430873

<https://www.phoenixcontact.com/gb/products/1430873>

Classifications

ECLASS

ECLASS-13.0	23111190
ECLASS-15.0	23111190

ETIM

ETIM 9.0	EC000032
----------	----------

UNSPSC

UNSPSC 21.0	31261500
-------------	----------

PROT-M12 FS-PA-CHAIN - Sealing cap



1430873

<https://www.phoenixcontact.com/gb/products/1430873>

Environmental product compliance

EU RoHS

Fulfills EU RoHS substance requirements	Yes, No exemptions
---	--------------------

China RoHS

Environment friendly use period (EFUP)	EFUP-E
	No hazardous substances above the limits

EU REACH SVHC

REACH candidate substance (CAS No.)	No substance above 0.1 wt%
-------------------------------------	----------------------------

EF3.0 Climate Change

CO2e kg	0.221 kg CO2e
---------	---------------

Phoenix Contact 2025 © - all rights reserved
<https://www.phoenixcontact.com>

PHOENIX CONTACT Ltd
Halesfield 13, Telford
Shropshire, TF7 4PG
01952 681700
info@phoenixcontact.co.uk