

PROT-M12 FB - Screw plug

1555538

<https://www.phoenixcontact.com/gb/products/1555538>

Please be informed that the data shown in this PDF document is generated from our online catalog. Please find the complete data in the user documentation. Our general terms of use for downloads are valid.



M12 high-grade steel screw plug, for unoccupied M12 sockets of the sensor/actuator cables, boxes and flush-type connectors for the food industry

Your advantages

- High degree of protection and robustness ensure safe use in the food industry
- Reliable protection of unoccupied slots during transport and use in the field
- Resistant and durable due to the use of corrosion- and acid-resistant V4A stainless steel
- Resistant to commercially available cleaning agents
- Easy to clean, thanks to the special hygienic design
- Easy assembly using a screwdriver

Commercial data

| | |
|--------------------------------------|---------------|
| Item number | 1555538 |
| Packing unit | 5 pc |
| Minimum order quantity | 5 pc |
| Sales key | AF3ZAX |
| Product key | AF3ZAX |
| GTIN | 4046356170543 |
| Weight per piece (including packing) | 5.73 g |
| Weight per piece (excluding packing) | 5.4 g |
| Customs tariff number | 73269098 |
| Country of origin | DE |

PROT-M12 FB - Screw plug

1555538

<https://www.phoenixcontact.com/gb/products/1555538>

Technical data

Notes

| | |
|---------|---|
| General | Use up to max. 48 V AC and 60 V DC |
| General | Not suitable for M12 sockets with K, L, or M coding |

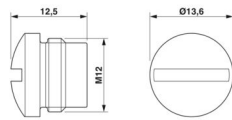
Product properties

| | |
|--------------|----------------------------|
| Product type | Plug for cable screw gland |
| Thread type | M12 |

Connection data

| | |
|-------------------|--------|
| Tightening torque | 0.4 Nm |
|-------------------|--------|

Dimensions

| | |
|---------------------|---|
| Dimensional drawing |  |
| Diameter | 13.6 mm |

Material specifications

| | |
|-------------------------------|-----------------|
| Material for screw connection | Stainless steel |
|-------------------------------|-----------------|

Environmental and real-life conditions

Ambient conditions

| | |
|----------------------|-------|
| Degree of protection | IP65 |
| | IP67 |
| | IP69K |

PROT-M12 FB - Screw plug

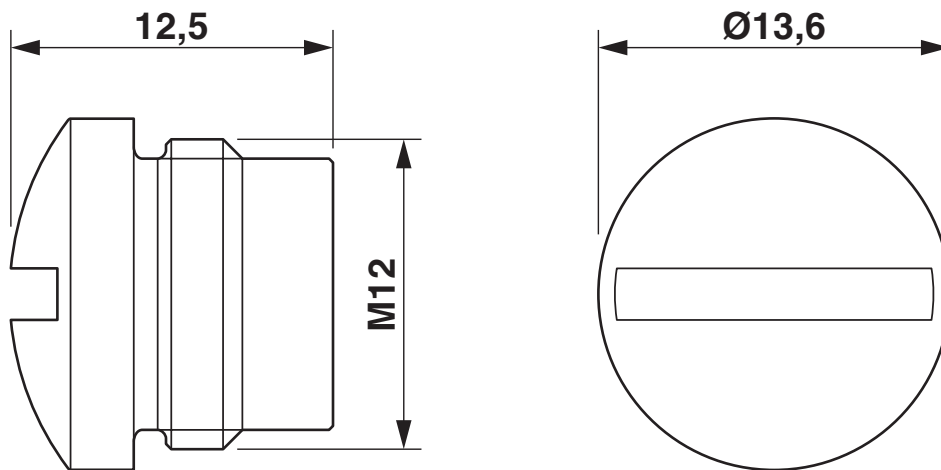
1555538

<https://www.phoenixcontact.com/gb/products/1555538>



Drawings

Dimensional drawing



PROT-M12 FB - Screw plug



1555538

<https://www.phoenixcontact.com/gb/products/1555538>

Classifications

ECLASS

| | |
|-------------|----------|
| ECLASS-13.0 | 23111190 |
| ECLASS-15.0 | 23111190 |

ETIM

| | |
|----------|----------|
| ETIM 9.0 | EC000032 |
|----------|----------|

UNSPSC

| | |
|-------------|----------|
| UNSPSC 21.0 | 31261500 |
|-------------|----------|

PROT-M12 FB - Screw plug



1555538

<https://www.phoenixcontact.com/gb/products/1555538>

Environmental product compliance

EU RoHS

| | |
|---|--------------------|
| Fulfills EU RoHS substance requirements | Yes, No exemptions |
|---|--------------------|

China RoHS

| | |
|--|--|
| Environment friendly use period (EFUP) | EFUP-E |
| | No hazardous substances above the limits |

EU REACH SVHC

| | |
|-------------------------------------|----------------------------|
| REACH candidate substance (CAS No.) | No substance above 0.1 wt% |
|-------------------------------------|----------------------------|

Phoenix Contact 2025 © - all rights reserved
<https://www.phoenixcontact.com>

PHOENIX CONTACT Ltd
Halesfield 13, Telford
Shropshire, TF7 4PG
01952 681700
info@phoenixcontact.co.uk