

# FL WLAN 1010 - Wireless module



2702899

<https://www.phoenixcontact.com/gb/products/2702899>

Please be informed that the data shown in this PDF document is generated from our online catalog. Please find the complete data in the user documentation. Our general terms of use for downloads are valid.



WLAN access point, client with 2 external antenna connections (RSMA-F), IP20, temperature range :0 °C ... +60 °C, WLAN 802.11 a, b, g, n, frequency: 2.4 GHz, 5 GHz, connections: COMBICON 9 V DC ... 32 V DC, RJ45: for LAN, web, http/https, CLI, REST API

## Commercial data

Item number	2702899
Packing unit	1 pc
Minimum order quantity	1 pc
Sales key	DNN2W4
Product key	DNN2W4
GTIN	4055626457895
Weight per piece (including packing)	264.4 g
Weight per piece (excluding packing)	248.3 g
Customs tariff number	85176200
Country of origin	DE

## Technical data

### Notes

#### Note on application

Note on application	Only for industrial use
---------------------	-------------------------

### Product properties

Product type	Wireless module
Application	Ethernet
Type	Stand-alone

#### Insulation characteristics

Pollution degree	2
------------------	---

#### Wireless card

Number	1
Type	IEEE 802.11 a/b/g/n 2.4 GHz and 5 GHz to 300 Mbps
Assembly note	Permanently installed

### Electrical properties

Maximum power dissipation for nominal condition	3.6 W
---	-------

#### Supply: Module electronics

Connection technology	COMBICON
Connection method	Push-in spring connection
Note on the connection method	Recommended conductor cross section: 0.75 mm <sup>2</sup>
	Recommended ferrule: connection length 10 mm
	Recommended crimping pliers: trapezoidal or square
Designation	1128752 FMC 1,5/ 3-ST-3,5-RF GY35BD1-3
Number of positions	3
Cross section range AWG	24 ... 16 (Use copper wires rated 75° C (UL))
Supply voltage	24 V DC (SELV)
Supply voltage range	9 V DC ... 32 V DC (PELV/SELV)
Supply current	typ. 150 mA (at 24 V DC)
Current consumption	max. 550 mA (at 9 V DC)

### Connection data

#### 1128752 FMC 1,5/ 3-ST-3,5-RF GY35BD1-3

Connection method	Push-in spring connection
Conductor cross-section, rigid	0.2 mm <sup>2</sup> ... 1.5 mm <sup>2</sup>
Conductor cross-section, flexible	0.2 mm <sup>2</sup> ... 1.5 mm <sup>2</sup>
Conductor cross-section AWG	24 ... 16
Stripping length	10 mm

## Interfaces

### Antenna

Number	2
--------	---

### Functions

Configuration	Web-based management, automated CLI
Quality of service (QoS)	Yes
Security	802.11i
	WPA PSK (preshared key)
	WPA2
	AES
	TKIP
	MAC filter
	Supports 802.1X/RADIUS
Wireless licenses	Europe, additional countries in the e-shop
Country support	Belgium
	Bulgaria
	Denmark
	Germany
	Estonia
	Finland
	France
	Greece
	Great Britain
	Ireland
	Italy
	Latvia
	Liechtenstein
	Lithuania
	Luxembourg
	Malta
	Netherlands
	Norway
	Austria
	Poland
Portugal	
Romania	
Sweden	
Switzerland	
Slovakia	
Slovenia	
Spain	
Czech Republic	

# FL WLAN 1010 - Wireless module



2702899

<https://www.phoenixcontact.com/gb/products/2702899>

	Hungary
	Cyprus (rep.)
	China
	Japan
	South Korea
	Russia

## Ethernet (RJ45)

Number of interfaces	1
Connection method	RJ45
Note on the connection method	Auto negotiation and autocrossing
Transmission speed	10/100 Mbps
Transmission physics	Copper
Transmission length	100 m (per segment)
No. of channels	1 (RJ45 ports)

## Wireless

Designation	Wireless LAN
Antenna connection method	RSMA (female)
Frequency band	2.4 GHz 5 GHz
Wireless standard	WLAN IEEE 802.11 a b g n Wi-Fi 4
Transmission power	max. 19 dBm (with two antennas)
Number of wireless interfaces	1 IEEE 802.11 a/b/g/n
Wireless modules that can be connected	10 (In Access Point mode max. 2 SSIDs)

## Dimensions

Dimensional drawing	
Width	63 mm
Height	26 mm
Depth	113 mm
Note on dimensions	Installed dimensions without connector

## Material specifications

Material base plate	Die-cast zinc, nickel-plated
Housing material	PC

## Environmental and real-life conditions

### Ambient conditions

Ambient temperature (operation)	0 °C ... 60 °C
Degree of protection	IP20
Air pressure (operation)	800 hPa ... 1080 hPa (up to 2000 m above sea level)
Air pressure (storage/transport)	660 hPa ... 1080 hPa (up to 3500 m above sea level)
Ambient temperature (storage/transport)	-40 °C ... 85 °C
Permissible humidity (operation)	5 % ... 95 % (non-condensing)
Permissible humidity (storage/transport)	5 % ... 95 % (non-condensing)

## Approvals

### CE

Certificate	CE-compliant
-------------	--------------

### Wireless approval, Europe

Note	RED 2014/53/EU
------	----------------

## EMC data

### Electrostatic discharge

Standards/regulations	EN 61000-4-2
-----------------------	--------------

### Electrostatic discharge

Contact discharge	± 6 kV
Discharge in air	± 8 kV
Indirect discharge	± 6 kV

### Electromagnetic HF field

Standards/regulations	EN 61000-4-3
-----------------------	--------------

### Electromagnetic HF field

Frequency range	80 MHz ... 1000 MHz
Test field strength	10 V/m
Frequency range	1000 MHz ... 6000 MHz
Test field strength	3 V/m

### Fast transients (burst)

Standards/regulations	EN 61000-4-4
-----------------------	--------------

### Fast transients (burst)

Comments	±2.2 kV
----------	---------

# FL WLAN 1010 - Wireless module



2702899

<https://www.phoenixcontact.com/gb/products/2702899>

## Surge current load (surge)

Standards/regulations	EN 61000-4-5
-----------------------	--------------

## Surge current load (surge)

Signal	± 0.5 kV (symmetrical)
	± 1 kV (asymmetrical)

## Conducted interference

Standards/regulations	EN 61000-4-6
-----------------------	--------------

## Conducted interference

Frequency range	0.15 MHz ... 80 MHz
Voltage	10 V

## Emitted interference

Standards/regulations	EN 55022
Test result	Class B

## Mounting

Mounting type	Panel mounting
	DIN rail mounting
Assembly note	Antennas not included in scope of supply

# FL WLAN 1010 - Wireless module

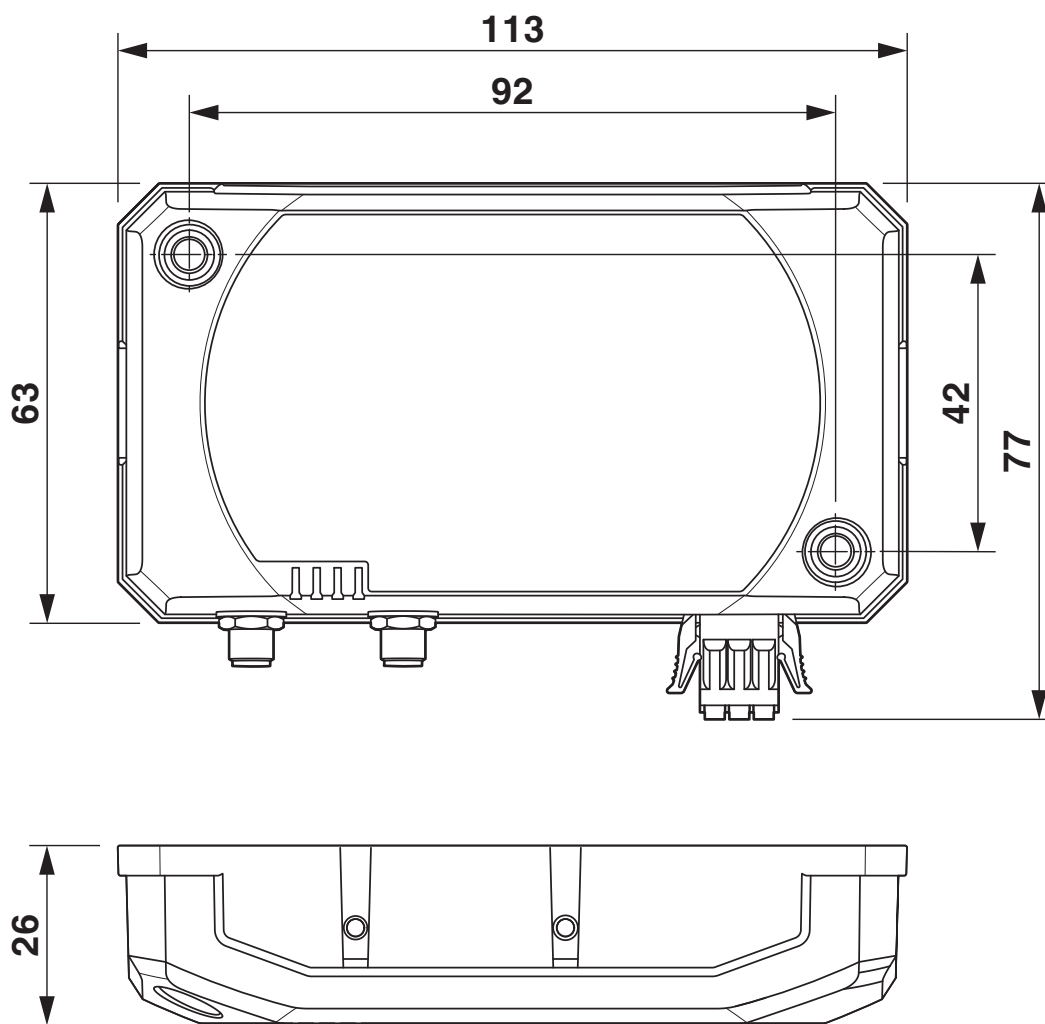


2702899

<https://www.phoenixcontact.com/gb/products/2702899>

## Drawings

Dimensional drawing



# FL WLAN 1010 - Wireless module



2702899

<https://www.phoenixcontact.com/gb/products/2702899>

## Approvals

To download certificates, visit the product detail page: <https://www.phoenixcontact.com/gb/products/2702899>



**KC**

Approval ID: R-R-PCK-2035241270



**cULus Listed**

Approval ID: E238705



**MIC**

Approval ID: 007-AF0223

# FL WLAN 1010 - Wireless module



2702899

<https://www.phoenixcontact.com/gb/products/2702899>

## Classifications

### ECLASS

ECLASS-13.0	19170501
ECLASS-15.0	19170501

### ETIM

ETIM 9.0	EC000816
----------	----------

### UNSPSC

UNSPSC 21.0	43222600
-------------	----------

## Environmental product compliance

### EU RoHS

Fulfills EU RoHS substance requirements	Yes
Exemption	6(c), 7(a), 7(c)-I

### China RoHS

Environment friendly use period (EFUP)	EFUP-50
	An article-related China RoHS declaration table can be found in the download area for the respective article under "Manufacturer declaration". For all articles with EFUP-E, no China RoHS declaration table issued and required.

### EU REACH SVHC

REACH candidate substance (CAS No.)	Lead(CAS: 7439-92-1)
	2,2',6,6'-tetrabromo-4,4'-isopropylidenediphenol(CAS: 79-94-7)
	2-(2H-benzotriazol-2-yl)-4-(1,1,3,3-tetramethylbutyl)phenol (UV-329)(CAS: 3147-75-9)
SCIP	2aec339b-732a-4b8f-8cfb-85b1107b1c01